



VLF-SAB Steered Array Bracket

Steered Array Bracket for VLF208 and VLF208LV

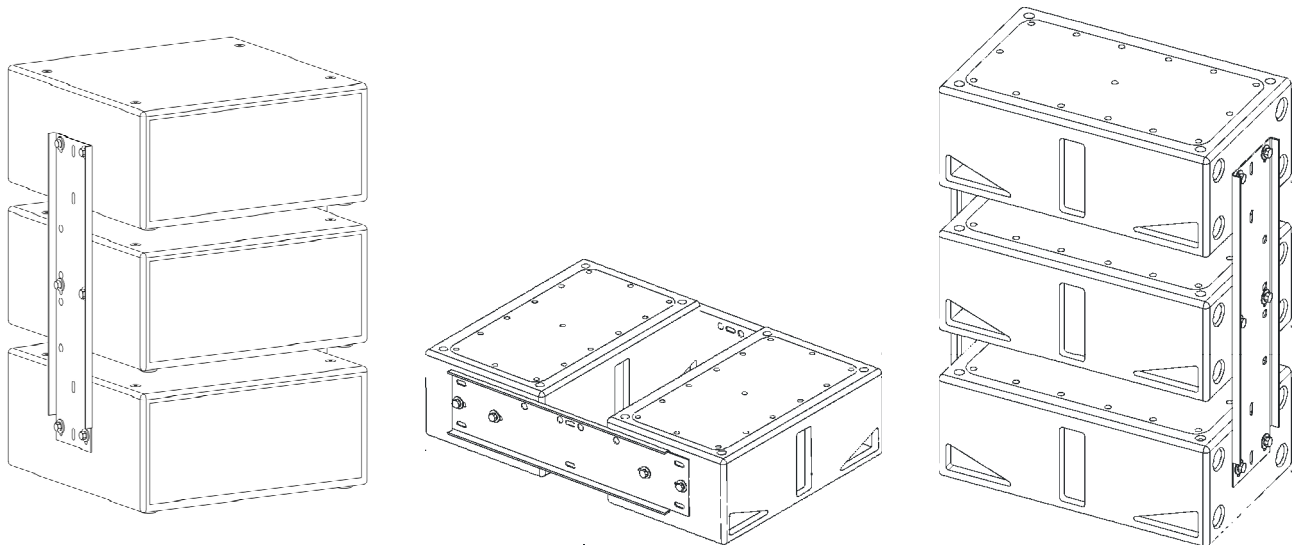
Steered array brackets for Community's VLF208 subwoofer systems

The **VLF Steered Array Bracket** enables the construction of cardioid bass arrays, steered bass arrays, or vertical bass columns of VLF208 and VLF208LV subwoofers, or combinations of both. Designated the **VLF-SAB**, it is intended for use only with Community's VLF208 and VLF208LV subwoofer systems, which share a common width of 21.75 inches.

The kit consists of two metal array brackets for connecting the VLF subwoofers together. Each single VLF-SAB kit can connect a pair of enclosures horizontally or three enclosures vertically (*see illustrations below*). Use multiple VLF-SAB kits to connect additional enclosures.

All parts in the kit are engineered to provide a high margin of safety when used with VLF loudspeakers. The brackets are manufactured of steel and covered with a durable powder-coat finish. Each kit comes complete with twelve sets of M10 x 40mm hex bolts, lock washers and flat washers. Kits are available in either black or white to match the color of the enclosures.

No hardware is provided to mount the loudspeaker assembly. Such hardware must be supplied by the installer and should be sized and rated to safely handle the combined weight load of the enclosures and brackets. The installer is solely responsible for determining if all rigging components that are used to suspend the enclosures are adequately sized and rated, and if the structure they are suspended from is capable of safely supporting the aggregate weight load.



Danger: All rigging points on each enclosure must be fitted with either optional mounting hardware or they must remain sealed with the flat-head Allen screws that come installed in the enclosure. The flat-head Allen screws pass through the plywood side panels and fasten to internal steel rigging brackets, thereby providing structural integrity. Without these Allen screws, the structural integrity of the plywood enclosure would rely solely on the adhesion of the glue joints, which over time could deteriorate. Therefore, **all rigging fittings must have fasteners in place** so that the enclosure may be safely 'flown' or suspended overhead. Additionally, if the rigging fittings are not sealed, air leaks will occur in the enclosure that will compromise the low frequency performance with distortion and reduced output.



Warning: VLF rigging fittings are rated at a Working Load Limit of 150 lbs (68 kg) with a 15:1 safety margin. No single rigging fitting should ever be subjected to a load that is greater than 150 lbs. When multiple enclosures are suspended one above the other, it is the installer's responsibility to insure that the combined weight load does not exceed the Working Load Limit on any one rigging fitting. This is particularly important if the enclosures are angled steeply downward (or upward), as most or all of the weight may be supported by the rear (or front) points only. Failure to heed this warning could result in injury or death!

VLF-SAB Parts List

Array Brackets (2)

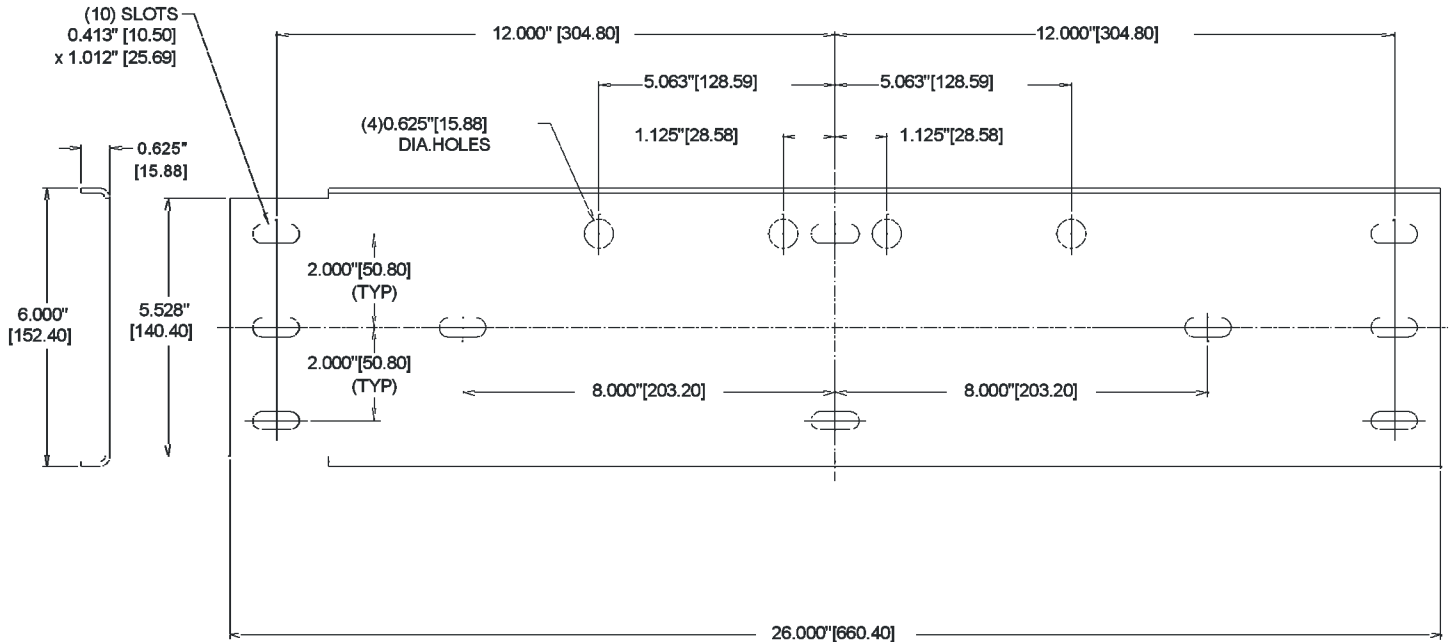
M10 40mm Bolt (12)

M10 Flat Washer (12)

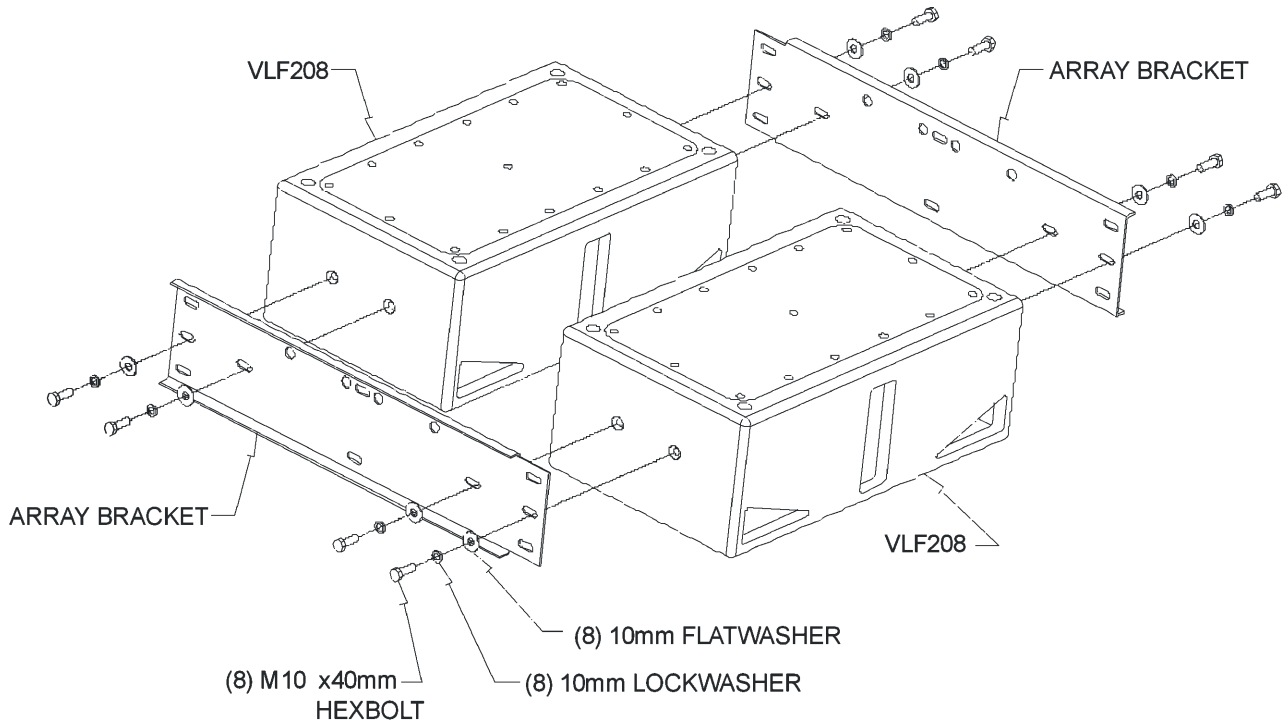
M10 Split Lock Washer (12)

The installer must supply all other hardware for the installation.

Array Bracket Dimensions

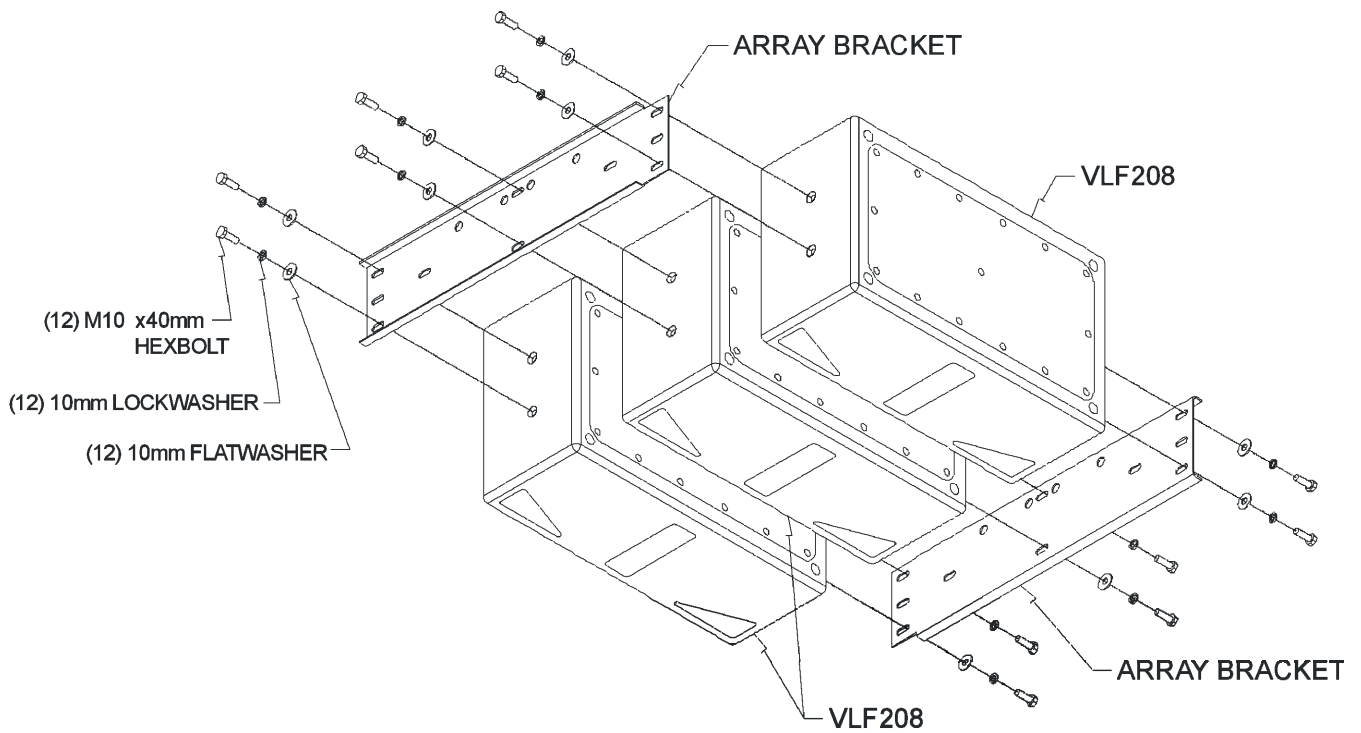


VLF-SAB Assembly (Two VLF208 / VLF208LV Subwoofers)



Note: Assembly is the same for the VLF208LV

VLF-SAB Assembly (Three VLF208 / VLF208LV Subwoofers)





Caution: Installation of loudspeakers should only be performed by trained and qualified personnel. It is strongly recommended that a licensed and certified professional structural engineer approve the mounting design.



Community Professional Loudspeakers, 333 East Fifth Street, Chester, PA 19013 USA
Phone (610) 876-3400 | Fax (610) 874-0190 | www.communitypro.com