



MOODLINER 1430WP

14x30W RGBW 4in1 Waterproof Led Bar Washer
Barra Cambia-colori da Esterno con 14x30W Led RGBW 4in1

User Manual

Manuale Utente

Carefully read this manual and properly take care of it
Leggete questo manuale e conservatelo per future consultazioni



Dear customer,

First of all thanks for purchasing a CENTOLIGHT® product. Our mission is to satisfy all possible needs of light designers and professionals of entertainment lighting, by offering a wide range of products based on the latest technologies.

We hope you will be satisfied with this fixture and, if you want to collaborate, we are looking for a feedback from you about product operation and possible improvements to be introduced in the next future. Go to our website www.centolight.com and send an e-mail with your opinion; this will help us to build equipment ever closer to professional's real requirements.

The CENTOLIGHT Team

Gentile Cliente,

Grazie per aver scelto un prodotto CENTOLIGHT®. La nostra missione è quella di soddisfare ogni possibile richiesta da parte di light designers e professionisti dell'illuminotecnica per l'intrattenimento, offrendo una vasta gamma di apparecchiature basate su tecnologie di ultima generazione.

Speriamo di aver soddisfatto le vostre aspettative e, se voleste collaborare, saremo lieti di ricevere un vostro feedback sulla qualità del prodotto al fine di migliorare costantemente la nostra produzione. Visitate il nostro sito www.centolight.com ed inviateci una mail con la vostra opinione; questo ci aiuterà a sviluppare nuovi prodotti quanto più vicini alle vostre esigenze.

Il Team CENTOLIGHT

TABLE OF CONTENTS

1 - Before you Begin	4
1.1. What is included- - - - -	4
1.2. Unpacking Instructions - - - - -	4
1.3. Accessories - - - - -	4
1.4. Disclaimer - - - - -	4
2 - Safety Instructions	5
2.1. Symbols Meaning - - - - -	5
3 - Mounting and Rigging	5
3.1. Rigging - - - - -	5
3.2. Heat - - - - -	6
3.3. Servicing - - - - -	6
4 - Introduction	7
4.1. Features - - - - -	7
4.2. Product Dimensions- - - - -	8
5 - Product Setup	8
5.1. Rear Panel Description- - - - -	8
5.2. About Power Connection - - - - -	9
5.3. About Dmx Connection - - - - -	10
5.4. DMX Terminator - - - - -	11
5.5. 3-Pin vs 5-Pin DMX cables - - - - -	11
6 - Menu Operation	11
6.1. Setting the DMX Address - - - - -	13
7 - DMX Channel Assignments and Values	13
7.1. 9-ch DMX512 Channel Chart- - - - -	13
7.2. 23-ch DMX512 Channel Chart - - - - -	16
7.3. 56-ch DMX512 Channel Chart - - - - -	19
7.4. 65-ch DMX512 Channel Chart - - - - -	19
8 - Lux Chart	22
9 - Troubleshooting	24
10 - Specification	25
11 - Warranty And Service	26
12 - Warning	26


1 – BEFORE YOU BEGIN

Thank you for purchasing MOODLINER 1430WP. Enjoy your new equipment and make sure to read this manual carefully before operation! This user manual is made to provide both an overview of controls, as well as information on how to use them.

1.1. What is included

Package include:

- 1x CENTOLIGHT MOODLINER 1430WP Led Bar
- 1x 1.5m (59in ca.) Powercon to Europlug power cable
- 1x Powercon Connector (Grey)
- 1X 1.5m (59in ca.) DMX Cable 3-pin XLR-M to 3-pin XLR-F
- This User Manual

 **ATTENTION: Packaging bag is not a toy! Keep out of reach of children!!! Keep in a safe place the original packaging material for future use.**

1.2. Unpacking Instructions

Carefully unpack the product immediately and check the content to make sure all the parts are in the package and are in good condition. If the box or the contents (the product and included accessories) appear damaged from shipping, or show signs of mishandling, notify the carrier or dealer/seller immediately. In addition, keep the box and contents for inspection. If the fixture must be returned to the manufacturer, it is important that it is returned in the original manufacturer box and packing. Please do not take any action without first contacting your dealer or getting in touch with our after-sales support service (visit www.centolight.com for details).

1.3. Accessories

CENTOLIGHT can supply a wide range of quality accessories that you can use with your MOODLINER Series equipment, like Cables, Splitters, DMX controllers, and a wide range of other fixtures. Ask your CENTOLIGHT dealer or check out our website www.centolight.com. All products in our catalogue has been long tested with this device, so we recommend you to use Genuine CENTOLIGHT Accessories and Parts.

1.4. Disclaimer

The information and specifications contained in this Manual are subject to change without notice. CENTOLIGHT assumes no responsibility or liability for any errors or omissions and reserves the right to revise or to create this manual at any time.

Copyright© 2021 CENTOLIGHT. All rights reserved.

2 – SAFETY INSTRUCTIONS

- Read these instructions
- Keep these instructions
- Heed all warning
- Follow all instructions

2.1 Symbols Meaning



The symbol is used to indicate that some hazardous live terminals are involved within this apparatus, even under the normal operating conditions, which may be sufficient to constitute the risk of electric shock or death.



The symbol is used to describe important installation or configuration problems. Not following advice and information on how to avoid such problems may lead to product malfunction.



This symbol indicates a protective grounding terminal.

WARNING:

Describes precautions that should be observed to prevent the danger of injury or death to the operator.



To protect the environment, please try to recycle packing material and exhausted consumables as much as possible.



Don't throw this product away just as general trash, please deal with the product follow the abandon electronic product regulation in your country.

3 – MOUNTING AND RIGGING



Pay attention to safety! Please respectively consider the EN 60598-2-17 and the national standard during the installation. Only authorized technicians can carry out the installation.

3.1 Rigging

- The installation of the fixture has to be built and constructed in a way that it can hold 10 times the weight for 1 hour without any harming demolition. The installation must always be secured with a secondary safety attachment, e.g. an

appropriate catch net. This secondary safety attachment must be constructed in a way that no part of the installation can fall down if the main attachment fails.

- When rigging, de-rigging or servicing the fixture staying in the area below the installation place, on bridges, under high working places and other endangered areas is forbidden. The operator has to make sure that the safety measure and the machine's technical installation is approved by an expert before taking into operation for the first time and after changes before taking into operation another time. He has also to make sure that an expert approves safety measure and the machine's technical installation once a years.

⚠ IMPORTANT: Overhead rigging requires extensive experience, including (but not limited to) calculating working load limits, installation material being used, and periodic safety inspection of all installation material and the projector. If you lack these qualifications, do not attempt the installation yourself, but instead use a professional structural rigger. Improper installation can result in bodily injury or property loss.

- If the fixture shall be lowered from the ceiling or high joists, professional trussing systems have to be used. The fixture must never be fixed swinging freely in the room.

⚠ CAUTION: Use appropriate clamps to rig the fixture on the truss. Make sure that the device is fixed properly! Ensure that the structure (truss) to which you are attaching the fixtures is secure.

3.2 Heat

- Do not use in a confined space. Always install the product in a location with adequate ventilation, at least 20in (50 cm) from adjacent surfaces. Be sure that no ventilation slots on the product's housing are blocked.
- The apparatus should be located away from heat sources such as radiators, stoves or other appliances that produce heat.

⚠ Do not use it when maximum ambient temperature is higher than 50°C Work temperature ranges from -30÷55 °C [-22÷171 °F].

3.3 Servicing

- Do not implement any servicing other than those means described in the manual. Refer all servicing to qualified service personnel only. The internal components of the equipment must be purchased from the manufacturer. Only use

accessories/attachments or parts recommended by the manufacturer.

4 - INTRODUCTION

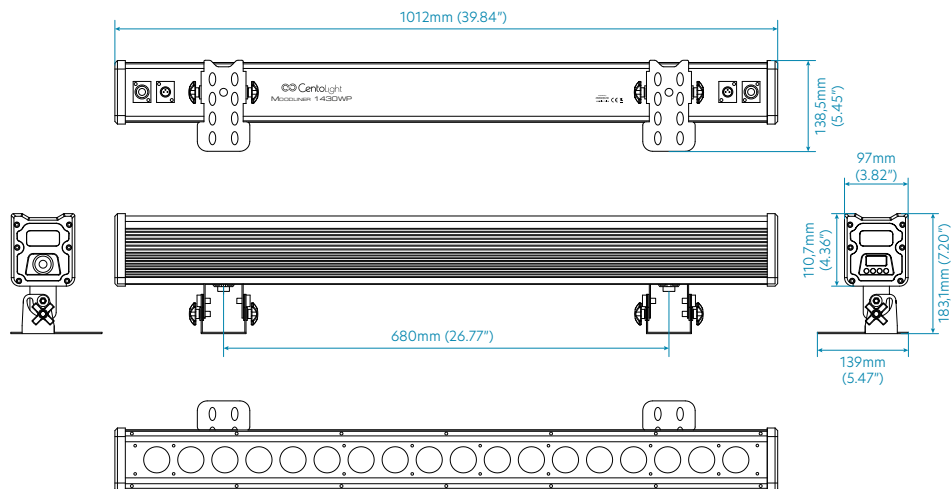
Centolight MOODLINER 1420WP is an Outdoor Wash Led Bar with a 25° beam angle. The light source consists of 14pcs of 30W 4in1 Led with RGBW color mixing. The DMX control (with RDM) allows you to control every single color of each LED independently, allowing extremely rich polychromatic effects. The MOODLINER 1430WP is designed for outdoor architectural applications or in all those situations where color wash effect as well as totally silent operation are required (theaters, houses of worship, museums, auditoriums, etc.).

The fixture structure is very stout and completely waterproof. The housing is made of die-cast aluminum and steel parts, with high-quality rubber gaskets for maximum isolation and resistance to time. PowerCon In/Out Power connections and DMX In/Out connections with XLR are totally waterproof.

4.1 Features

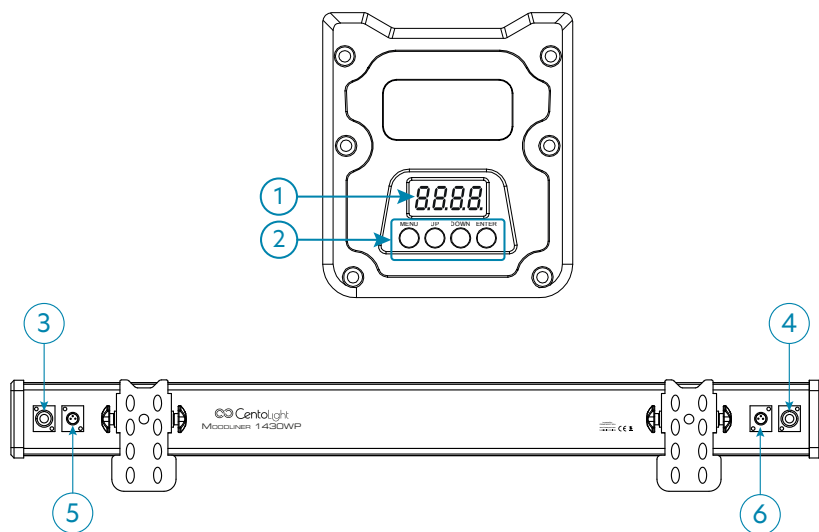
- Waterproof Washer Bar with 25° Beam Angle
- 14x30W RGBW 4in1 LED with over 50,000h lifetime
- Luminous Flux: (RGBW) 3082lux/3m, 794lux/7m
- CRI: Ra≥85
- Flicker Free Operation
- Smooth 16-bit Dimmer
- Silent Operation
- IP65 Protection Degree
- Waterproof DMX and Power connections

4.2. Product Dimensions



5 - PRODUCT SETUP

5.1. Rear Panel Description



The operation panel includes Connectors, security eye-bolt, 4-digit LED display and control buttons.

1) LED Display

It shows the operating mode and all system information. Read "6 - Menu Operation" on page 11 for details on all menus.

2) Control Buttons

MENU Button - Short-press it to switch the setting pages.

UP Button - It scrolls up individual items in the selection menu and sub-menus for system settings (DMX address, Operation Mode, etc.), and increases values/settings of parameters.

DOWN Button - It scrolls down individual items in the selection menu and sub-menus for system settings (DMX address, Operation Mode, etc.), and increases values/settings of parameters.

ENTER Button - Press ENTER to access menu levels and confirm parameter value changes.

3) Power Input Socket

Plug the power-cord included with MOODLINER 1430WP into an AC socket properly configured for this fixture. Please read "5.2. About Power Connection" on page 9 for details.

4) Power Output Socket

This fixture is also equipped with an output power connector to be used as power mains source in case of **cascade connection up to a maximum of 5 fixtures**.

5) DMX Input Socket

DMX Input is a 3-pin male XLR socket for connection to a DMX control device. Please read "5.3. About Dmx Connection" on page 10 for details on how to manage DMX connections.

6) DMX Output Socket

DMX output is a 3-pin female socket for sending the DMX control signal to other units. Please read "5.3. About Dmx Connection" on page 10 for details on how to manage DMX connections.

5.2. About Power Connection

- Always make sure that the voltage of the outlet you are connecting the product to is within the range stated in paragraph "10 - Specification" on page 25 or rear panel of the product (AC110V-240V 50/60Hz).
- Make sure the power cord is not crimped or damaged. Never connect this prod-

uct to a dimmer pack or rheostat.

- Never disconnect the product from power cord by pulling or tugging on the cord.
- To avoid electric shock, all fixtures must be connected to circuits with a suitable ground and circuit breaker.
- Wire correspondence is as follows:

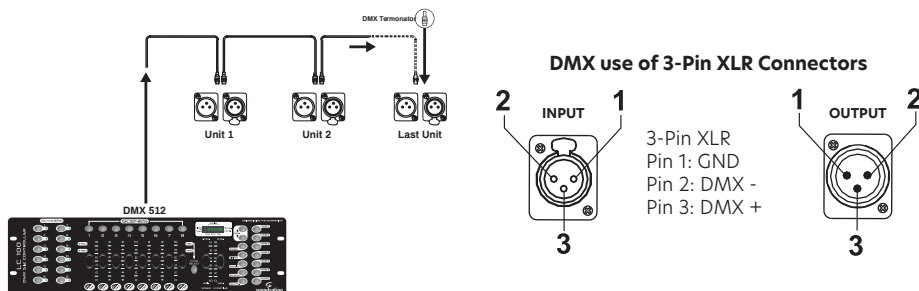
Cable (EU)	Pin	International
Brown	Live	L
Blue	Neutral	N
Yellow/Green	Earth	⊕

⚠ Earth must be connected! Always pay attention to safety! Before taking into operation for the first time, the installation has to be approved by an expert.

5.3. About Dmx Connection

⚠ When use a DMX controller, please make sure that there is no interference sources (e.g. intercom, high frequency radio waves and radiation source).

DMX machines are designed to receive data through a serial Daisy Chain. A Daisy Chain connection is where the DATA OUT of one fixture connects to the DATA IN of the next fixture. The order in which the machines are connected is not important and has no effect on how a controller communicates to each of them. Use an order that provides for the easiest and most direct cabling.

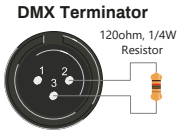


Connect machines using shielded 2-conductor twisted pair cable with 3-pin XLR male to female connectors. The shield connection is pin 1, while pin 2 is Data Negative (S-), and pin 3 is Data positive (S+).

⚠ CAUTION: Wires must not come into contact with each other; otherwise the fixtures will not work at all, or will not work properly.

5.4. DMX Terminator

DMX is a resilient communication protocol, however errors still occasionally occur. In order to prevent electrical noise from disturbing and corrupting the DMX control signals, a good habit is to connect DMX output of last fixture in the chain to a DMX terminator, especially over long signal cable runs.

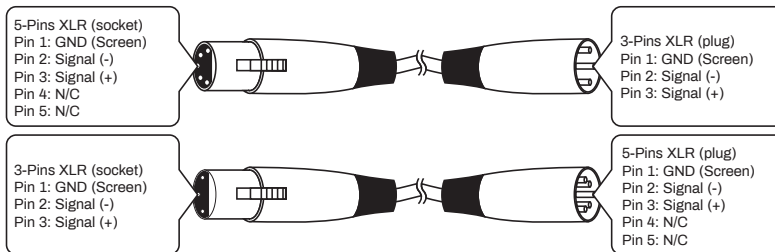


The DMX terminator is simply an XLR connector with a 120Ω (ohm), 1/4 Watt resistor connected across Signal (-) and Signal (+), respectively, pins 2 and 3, which is then plugged into the output socket on last projector in the chain. The connections are illustrated below.

⚠ Complimentary signal cable can transmit signals to 20 unit fixtures at most. Signal amplifier is a must to connect more fixtures.

5.5. 3-Pin vs 5-Pin DMX cables

DMX connection protocols used by controllers and fixtures manufacturers are not standardized around the world. However, two are the most common standards: 5-Pin XLR and 3-Pin XLR system. If you wish to connect this fixture to a 5-Pin XLR input fixture, you need to use an adapter-cable or make it by yourself. Below you can see the wiring correspondence between 3-Pin and 5-Pin plug and socket standards



6 - MENU OPERATION

By pressing MENU button, the display will cycle through 14 menus. Press ENTER button to enter the corresponding menu, press UP or DOWN to modify current parameter value. Then, press ENTER button again to save current value.

Menu N.	Menu Name	Description
1	A001 - A512	DMX-512 address setting It ranges from 1 to 512. Press UP and DOWN keys to adjust address; press ENTER to confirm.

2	09CH - 23CH 56CH - 65CH	Channel Mode selection. You can choose among 09ch, 23ch, 56ch and 65ch modes. Please check "7 - DMX Channel Assignments and Values" on page 13 for details on each function. Press UP and DOWN keys to choose the desired mode; press ENTER to confirm.
3	CC00-CC99	Color Jump function mode. Jump speed ranges from 00 (slow) to 99 (fast). Press UP and DOWN keys to adjust the speed; press ENTER to confirm.
4	Ed00-Ed99	Pulse Gradient function with speed ranging from 00 (slow) to 99 (fast). Press UP and DOWN keys to adjust the speed; press ENTER to confirm.
5	Er00-Er99	7-color Running #1 function with jump speed ranging from 00 (slow) to 99 (fast). Press UP and DOWN keys to adjust the speed; press ENTER to confirm. NOTE: In case of multiple MOODLINER 1430WP bars connected through a DMX-In/Out daisy chain and with different Id value assigned to each of them, you can realize a multi-table lamp running water.
6	Po00-Po99	7-color Running #1 function with jump speed ranging from 00 (slow) to 99 (fast). Press UP and DOWN keys to adjust the speed; press ENTER to confirm. NOTE: In case of multiple MOODLINER 1430WP bars connected through a DMX-In/Out daisy chain and with different ID value assigned to each of them, you can realize a multi-table lamp running water.
7	tr00-tr36	Auto Program Running with a selection of 36 presets with various configuration. It ranges from 00 to 36. Press UP and DOWN keys to choose the desired preset; press ENTER to confirm.
8	tU00-tu99	Auto Program Running speed adjustment from 00 (slow) to 99 (fast). Press UP and DOWN keys to adjust the speed; press ENTER to confirm.
9	bE00-bE99	The MOODLINER 1430WP features a built-in microphone with light effects controlled by the environment sound. The microphone sensibility ranges from 00 (less sens.) to 99 (more sens.). Press UP and DOWN keys to modify the sensitivity; press ENTER to confirm.
10	r000-r255	Red color manual dimmer. It ranges from 000 to 255. Press UP and DOWN keys to change the brightness level; press ENTER to confirm.
11	G000-G255	Green color manual dimmer. It ranges from 000 (dark) to 255 (max brightness). Press UP and DOWN keys to change the brightness level; press ENTER to confirm.
12	b000-b255	Blue color manual dimmer. It ranges from 000 (dark) to 255 (max brightness). Press UP and DOWN keys to change the brightness level; press ENTER to confirm.
13	o000-o255	White color manual dimmer. It ranges from 000 (dark) to 255 (max brightness). Press UP and DOWN keys to change the brightness level; press ENTER to confirm.

14	Id01-Id18	In case of multiple MOODLINER 1430WP units connected through a DMX-In/Out daisy chain, you can assign to each of them one of the 18 ID values, and use the multiple connection to realize amazing multi-table lamp running water effects. Lamp ID ranges from 01 to 18. Press UP and DOWN keys to change ID value; press ENTER to confirm.
----	-----------	--

6.1 Setting the DMX Address

When selecting a starting DMX address, always consider the number of DMX channels of each mode. If you choose a starting address that is too high, you could restrict the access to some of the product channels. MOODLINER 1430WP uses 9, 23, 56 and 65 DMX channels according to the selected mode, which defines the highest configurable address, respectively, to 496, 485 and 391 to have all channels controllable. This allows you to control of up to 56 units in the 9-channel control mode, 22 units in the 23-channel, 9 units in the 56-channel and 7units in the 65-channel mode.

7 - DMX CHANNEL ASSIGNMENTS AND VALUES

As anticipated, the MOODLINER 1430WP can use 9, 23, 56 and 65 DMX channels. Below you can see the assignment of each channel.

7.1 9-ch DMX512 Channel Chart

CH	Function	Value	Description.
CH1	Dimmer	000-255	R, G, B, W dimmer, from (0-100%)
CH2	Strobe	000-255	R, G, B, W strobe, from slow to fast (0-100%)
CH3	Function 1	000-036	No effect
		037-045	No effect
		046-050	Rainbow water effects (Jump). In case of multiple bars with different ID as-signed to each of them, you can make water multiple-chase effects. Channel 4 will change effect direction; CH1 and CH6-to-CH9 will control master and single-color dimmer.
		051-055	Rainbow water effects (Jump gradually). In case of multiple bars with differ-ent ID assigned to each of them, you can make water multiple-chase effects. Channel 4 will change effect direction; CH1 and CH6-to-CH9 will control master and single-color dimmer.
		056-060	Static Colors. Move channel-4 to 056-060 first, then choose colors by using channel 1-to-4.
		061-065	Jump effect. *
		066-070	Gradually and Pulse color change. *
		071-075	Running effect 1. *
		076-080	Running effect 2. *

CH3	Function 1	081-085	Running effect 3. *
		086-090	Running effect 4. *
		091-095	Running effect 5. *
		096-100	Running effect 6. *
		101-105	Running effect 7. *
		106-110	Running effect 8. *
		116-120	Running effect 9. *
		121-125	Running effect 10. *
		126-130	Running effect 11. *
		131-135	Running effect 12. *
		136-140	Running effect 13. *
		141-145	Running effect 14. *
		146-150	Running effect 15. *
		151-155	Running effect 16. *
		156-160	Running effect 17. *
		161-165	Running effect 18. *
		166-170	Running effect 19. *
		171-175	Running effect 20. *
		176-180	Running effect 21. *
		181-185	Running effect 22. *
		186-190	Running effect 23. *
		191-195	Running effect 24. *
		196-200	Running effect 25. *
		201-205	Running effect 26. *
		206-210	Running effect 27. *
211-215	Running effect 28. *		
216-220	Running effect 29. *		
221-225	Running effect 30. *		
226-230	Running effect 31. *		
231-235	Running effect 32. *		
236-240	Running effect 33. *		
241-245	Running effect 34. *		
246-250	Running effect 35. *		
251-255	Sound Control. *		
CH4	Function 2	000-008	No effect
		009-012	Running effect 1. *
		013-018	Running effect 2. *
		019-025	Running effect 3. *
		026-030	Running effect 4. *
		031-032	Running effect 6. *
		033-039	Running effect 7. *

CH4	Function 2	040-046	Running effect 8. *	
		047-053	Running effect 9. *	
		054-060	Running effect 10. *	
		061-067	Running effect 11. *	
		068-074	Running effect 12. *	
		075-081	Running effect 13. *	
		082-088	Running effect 14. *	
		089-095	Running effect 15. *	
		096-102	Running effect 16. *	
		103-109	Running effect 17. *	
		110-116	Running effect 18. *	
		117-123	Running effect 19. *	
		124-130	Running effect 20. *	
		131-137	Running effect 21. *	
		138-144	Running effect 22. *	
		145-151	Running effect 23. *	
		152-158	Running effect 24. *	
		159-165	Running effect 25. *	
		166-172	Running effect 26. *	
		173-179	Running effect 27. *	
		180-186	Running effect 28. *	
		187-193	Running effect 29. *	
		194-200	Running effect 30. *	
		201-207	Running effect 31. *	
		208-214	Running effect 32. *	
		215-221	Running effect 33. *	
		222-228	Running effect 34. *	
		229-235	Running effect 35. *	
	236-242	Running effect 36. *		
	243-249	Running effect 37. *		
	250-255	Running effect 38. *		
		Function 3	000-127	When Channel 3 value is between 46 and 55 (Jamp/Fade Rainow ef-fects), Channel 4 controls the direction from left to right.
			128-255	When Channel 3 value is between 46 and 55 (Jamp/Fade Rainow effects), Channel 4 controls the direction from right to left.
			000-255	When Channel 3 value is between 56 and 60 (static colors), Channel 4 changes colors
	CH5	Function speed	000-255	Adjusts Function speed from slow to fast (0-100%)
	CH6	R dimming	000-255	Red color linear dimming (0-100%)
	CH7	G dimming	000-255	Green color linear dimming (0-100%)

CH8	B dimming	000-255	Blue color linear dimming (0-100%)
CH9	W dimming	000-255	White color linear dimming (0-100%)

* Use CH1 and CH6-to-CH9 to control master and single-color dimmer.

7.2 23-ch DMX512 Channel Chart

CH	Function	Value	Description.
CH1	Dimmer	000-255	R, G, B, W dimmer, from (0-100%)
CH2	Strobe	000-255	R, G, B, W strobe, from slow to fast (0-100%)
CH3	Function 1	000-036	No effect
		037-045	No effect
		046-050	Rainbow water effects (Jump). In case of multiple bars with different ID as-signed to each of them, you can make water multiple-chase effects. Channel 4 will change effect direction; CH1 and CH6-to-CH9 will control master and single-color dimmer.
		051-055	Rainbow water effects (Jump gradually). In case of multiple bars with different ID assigned to each of them, you can make water multiple-chase effects. Channel 4 will change effect direction; CH1 and CH6-to-CH9 will control master and single-color dimmer.
		056-060	Static Colors. Move channel-4 to 056-060 first, then choose colors by using channel 1-to-4.
		061-065	Jump effect. *
		066-070	Gradually and Pulse color change. *
		071-075	Running effect 1. *
		076-080	Running effect 2. *
		081-085	Running effect 3. *
		086-090	Running effect 4. *
		091-095	Running effect 5. *
		096-100	Running effect 6. *
		101-105	Running effect 7. *
		106-110	Running effect 8. *
		116-120	Running effect 9. *
		121-125	Running effect 10. *
		126-130	Running effect 11. *
		131-135	Running effect 12. *
136-140	Running effect 13. *		
141-145	Running effect 14. *		
146-150	Running effect 15. *		
151-155	Running effect 16. *		

CH3	Function 1	156-160	Running effect 17. *
		161-165	Running effect 18. *
		166-170	Running effect 19. *
		171-175	Running effect 20. *
		176-180	Running effect 21. *
		181-185	Running effect 22. *
		186-190	Running effect 23. *
		191-195	Running effect 24. *
		196-200	Running effect 25. *
		201-205	Running effect 26. *
		206-210	Running effect 27. *
		211-215	Running effect 28. *
		216-220	Running effect 29. *
		221-225	Running effect 30. *
		226-230	Running effect 31. *
		231-235	Running effect 32. *
CH4	Function 2	236-240	Running effect 33. *
		241-245	Running effect 34. *
		246-250	Running effect 35. *
		251-255	Sound Control. *
		000-008	No effect
		009-012	Running effect 1. *
		013-018	Running effect 2. *
		019-025	Running effect 3. *
		026-030	Running effect 4. *
		031-032	Running effect 6. *
		033-039	Running effect 7. *
		040-046	Running effect 8. *
		047-053	Running effect 9. *
		054-060	Running effect 10. *
		061-067	Running effect 11. *
		068-074	Running effect 12. *
075-081	Running effect 13. *		
082-088	Running effect 14. *		
089-095	Running effect 15. *		
096-102	Running effect 16. *		
103-109	Running effect 17. *		
110-116	Running effect 18. *		
117-123	Running effect 19. *		
124-130	Running effect 20. *		
131-137	Running effect 21. *		

CH4	Function 2	138-144	Running effect 22. *
		145-151	Running effect 23. *
		152-158	Running effect 24. *
		159-165	Running effect 25. *
		166-172	Running effect 26. *
		173-179	Running effect 27. *
		180-186	Running effect 28. *
		187-193	Running effect 29. *
		194-200	Running effect 30. *
		201-207	Running effect 31. *
		208-214	Running effect 32. *
		215-221	Running effect 33. *
		222-228	Running effect 34. *
		229-235	Running effect 35. *
		236-242	Running effect 36. *
		243-249	Running effect 37. *
		250-255	Running effect 38. *
			Function 3
128-255	When Channel 3 value is between 46 and 55 (Jump/Fade Rainow effects), Channel 4 controls the direction from right to left.		
000-255	When Channel 3 value is between 56 and 60 (static colors), Channel 4 changes colors		
CH5	Function speed	000-255	Adjusts Function speed from slow to fast (0-100%)
CH6	R dimming	000-255	Red color linear dimming (0-100%)
CH7	G dimming	000-255	Green color linear dimming (0-100%)
CH8	B dimming	000-255	Blue color linear dimming (0-100%)
CH9	W dimming	000-255	White color linear dimming (0-100%)
CH10	Led 1 dimmer	000-255	R, G, B, W dimmer (0-100%)
CH11	Led 2 dimmer	000-255	R, G, B, W dimmer (0-100%)
CH12	Led 3 dimmer	000-255	R, G, B, W dimmer (0-100%)
CH13	Led 4 dimmer	000-255	R, G, B, W dimmer (0-100%)
CH14	Led 5 dimmer	000-255	R, G, B, W dimmer (0-100%)
.....
CH23	Led 14 dimmer	000-255	R, G, B, W dimmer (0-100%)

* Use CH1 and CH6-to-CH9 to control master and single-color dimmer

7.3.56-ch DMX512 Channel Chart

CH	Function	Value	Description.
CH1	Led 1 dimmer	000-255	Red 1 linear dimmer (0-100%)
CH2	Led 1 dimmer	000-255	Green 1 linear dimmer (0-100%)
CH3	Led 1 dimmer	000-255	Blue 1 linear dimmer (0-100%)
CH4	Led 1 dimmer	000-255	White 1 linear dimmer (0-100%)
CH5	Led 2 dimmer	000-255	Red 2 linear dimmer (0-100%)
CH6	Led 2 dimmer	000-255	Green 2 linear dimmer (0-100%)
CH7	Led 2 dimmer	000-255	Blue 2 linear dimmer (0-100%)
CH8	Led 2 dimmer	000-255	White 2 linear dimmer (0-100%)
.....
CH56	Led 14 dimmer	000-255	White 14 linear dimmer (0-100%)

7.4.65-ch DMX512 Channel Chart

CH	Function	Value	Description.
CH1	Dimmer	000-255	R, G, B, W dimmer, from (0-100%)
CH2	Strobe	000-255	R, G, B, W strobe, from slow to fast (0-100%)
CH3	Function 1	000-036	No effect
		037-045	No effect
		046-050	Rainbow water effects (Jump). In case of multiple bars with different ID as-signed to each of them, you can make water multiple-chase effects. Channel 4 will change effect direction; CH1 and CH6-to-CH9 will control master and single-color dimmer.
		051-055	Rainbow water effects (Jump gradually). In case of multiple bars with different ID assigned to each of them, you can make water multiple-chase effects. Channel 4 will change effect direction; CH1 and CH6-to-CH9 will control master and single-color dimmer.
		056-060	Static Colors. Move channel-4 to 056-060 first, then choose colors by using channel 1-to-4.
		061-065	Jump effect. *
		066-070	Gradually and Pulse color change. *
		071-075	Running effect 1. *
		076-080	Running effect 2. *
		081-085	Running effect 3. *
		086-090	Running effect 4. *
		091-095	Running effect 5. *
		096-100	Running effect 6. *
		101-105	Running effect 7. *
106-110	Running effect 8. *		

CH3	Function 1	116-120	Running effect 9. *
		121-125	Running effect 10. *
		126-130	Running effect 11. *
		131-135	Running effect 12. *
		136-140	Running effect 13. *
		141-145	Running effect 14. *
		146-150	Running effect 15. *
		151-155	Running effect 16. *
		156-160	Running effect 17. *
		161-165	Running effect 18. *
		166-170	Running effect 19. *
		171-175	Running effect 20. *
		176-180	Running effect 21. *
		181-185	Running effect 22. *
		186-190	Running effect 23. *
		191-195	Running effect 24. *
		196-200	Running effect 25. *
		201-205	Running effect 26. *
		206-210	Running effect 27. *
		211-215	Running effect 28. *
		216-220	Running effect 29. *
		221-225	Running effect 30. *
		226-230	Running effect 31. *
231-235	Running effect 32. *		
236-240	Running effect 33. *		
241-245	Running effect 34. *		
246-250	Running effect 35. *		
		251-255	Sound Control. *
CH4	Function 2	000-008	No effect
		009-012	Running effect 1. *
		013-018	Running effect 2. *
		019-025	Running effect 3. *
		026-030	Running effect 4. *
		031-032	Running effect 6. *
		033-039	Running effect 7. *
		040-046	Running effect 8. *
		047-053	Running effect 9. *
		054-060	Running effect 10. *
		061-067	Running effect 11. *
		068-074	Running effect 12. *
		075-081	Running effect 13. *

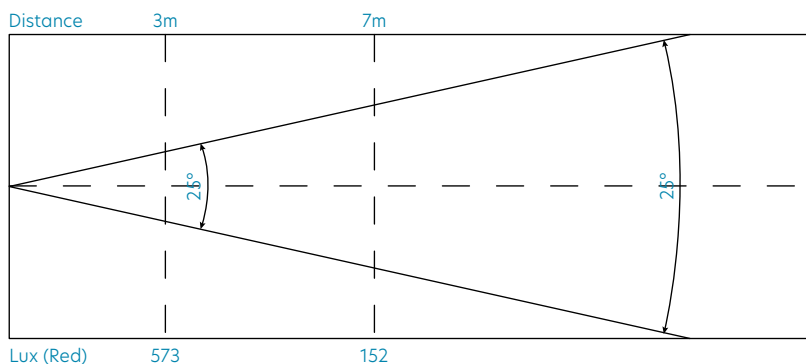
CH4	Function 2	082-088	Running effect 14. *
		089-095	Running effect 15. *
		096-102	Running effect 16. *
		103-109	Running effect 17. *
		110-116	Running effect 18. *
		117-123	Running effect 19. *
		124-130	Running effect 20. *
		131-137	Running effect 21. *
		138-144	Running effect 22. *
		145-151	Running effect 23. *
		152-158	Running effect 24. *
		159-165	Running effect 25. *
		166-172	Running effect 26. *
		173-179	Running effect 27. *
		180-186	Running effect 28. *
		187-193	Running effect 29. *
		194-200	Running effect 30. *
		201-207	Running effect 31. *
		208-214	Running effect 32. *
		215-221	Running effect 33. *
222-228	Running effect 34. *		
229-235	Running effect 35. *		
236-242	Running effect 36. *		
243-249	Running effect 37. *		
250-255	Running effect 38. *		
CH4	Function 3	000-127	When Channel 3 value is between 46 and 55 (Jump/Fade Rainow ef-fects), Channel 4 controls the direction from left to right.
		128-255	When Channel 3 value is between 46 and 55 (Jump/Fade Rainow effects), Channel 4 controls the direction from right to left.
		000-255	When Channel 3 value is between 56 and 60 (static colors), Channel 4 changes colors
CH5	Function speed	000-255	Adjusts Function speed from slow to fast (0-100%)
CH6	R dimming	000-255	Global red color linear dimming (0-100%)
CH7	G dimming	000-255	Global green color linear dimming (0-100%)
CH8	B dimming	000-255	Global blue color linear dimming (0-100%)
CH9	W dimming	000-255	Global white color linear dimming (0-100%)
CH10	Red 1 dimmer	000-255	Red 1 linear dimmer (0-100%)
CH11	Green 1 dimmer	000-255	Green 1 linear dimmer (0-100%)
CH12	Blue 1 dimmer	000-255	Blue 1 linear dimmer (0-100%)
CH13	White 1 dimmer	000-255	White 1 linear dimmer (0-100%)

CH14	Red 2 dimmer	000-255	Red 2 linear dimmer (0-100%)
CH15	Green 2 dimmer	000-255	Green 2 linear dimmer (0-100%)
CH16	Blue 2 dimmer	000-255	Blue 2 linear dimmer (0-100%)
CH17	White 2 dimmer	000-255	White 2 linear dimmer (0-100%)
.....
CH65	White 14 dimmer	000-255	White 14 linear dimmer (0-100%)

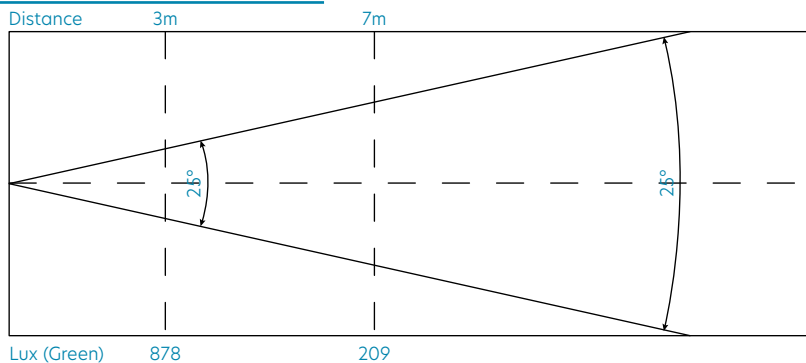
* Use CH1 and CH6-to-CH9 to control master and single-color dimmer.

8 - LUX CHART

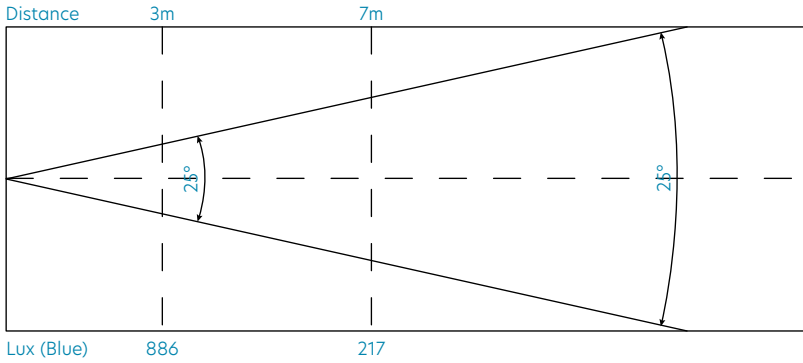
1) Lux Chart at 25° (Red only)



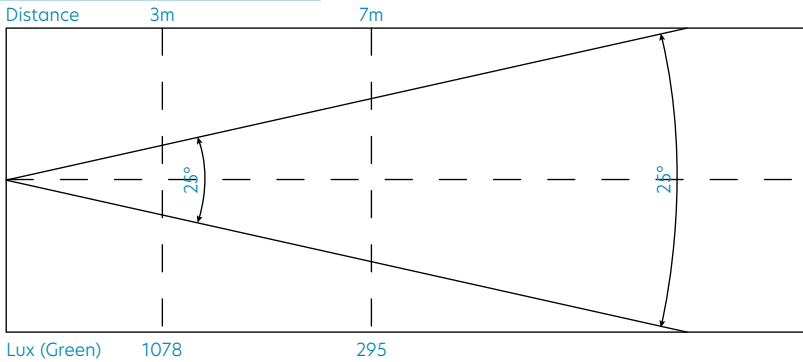
2) Lux Chart at 25° (Green only)



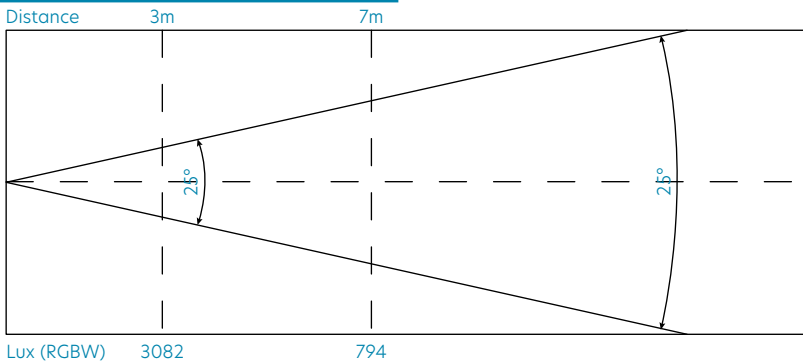
3) Lux Chart at 25° (Blue only)



4) Lux Chart at 25° (White only)



5) Lux Chart at 25° (RGBW Combined)



9 - TROUBLESHOOTING

Problem	Probable Cause(s)	Remedy
No response from fixture when power is applied	No power to fixture	Check power cables
		Check mains plug
Fixture does not reset correctly	Electronic failure	Contact service technician*
No light, LED cuts out intermittently, or burns out too quickly	LED missing or blown	Disconnect fixture and replace the LED
	Fixture or LED is too hot	Allow fixture to cool. If problem persists, contact service technician*
Fixture resets but does not respond correctly to controller (DMX mode operation)	Controller not connected	Connect controller
	Incorrect addressing of the fixtures	Check address setting on fixture and controller
	Bad data link connection	Inspect cables and correct poor connections and/or broken cables.
Fixture resets but does not respond correctly to controller (DMX mode operation)	Conflict between tracking and vector control	Eliminate scene cross-fade on controller
	Data link not terminated	Insert termination plug in output of last fixture**
	Defective fixture on 2 devices transmitting on link	Bypass fixtures one at a time until normal operation is regained: unplug both connectors and connect them directly together

* To contact CentoLight service, see "11 - Warranty And Service" on page 26 or visit www.centolight.com

** For instruction on how to install a DMX terminator, see "5.4. DMX Terminator" on page 11.

10 – SPECIFICATION

Light Source	14x30W RGBW 4in1 LED
Chip Life	over 50,000h
Luminous Flux	(R) 573lux/3m, 152lux/7m; (G) 878lux/3m, 209lux/7m; (B) 886lux/3m, 217lux/7m; (W) 1078lux/3m, 295lux/7m; (RGBW) 3082lux/3m, 794lux/7m;
CRI	Ra≥85
Refresh Rate	over 4.000Hz (Flicker-Free)
Beam Angle	25°
Dimmer	16-Bit Smooth Linear Dimming
Strobe effect	
Cooling System	Convection (without fan)
DMX Channel Modes	9/23/56/65 Channels (RDM Included)
Control Modes	DMX, Master-Slave, Sound, Auto Run, Manual Dimming
Control Panel	4 Buttons and LED Display
IP rate	IP65
Housing	Aluminum + Steel
DMX In/Out	Waterproof 3-pin XLR
Power Socket	Waterproof Powercon In/Out
Voltage	100~240V 50/60Hz
Max Power Consumption	450W
Working Temperature	-30÷55°C
Fixture Size (WxDxH)	1012x139x138,5 mm max. - 39.84x5.47x5.45 in (feet included)
Net Weight	7,2 kg - 15.87 lbs.
Packing Size (WxDxH)	1040x170x220mm - 40.94x6.69x8.66 in
Packing Weight	8,3 kg - 18.3 lbs.

Note: Our products are subject to a process of continual further development. Therefore modifications to the technical features remain subject to change without further notice.

11 - WARRANTY AND SERVICE

All CENTOLIGHT products feature a limited two-year warranty. This two-year warranty starts from the date of purchase, as shown on your purchase receipt. The following cases/components are not covered by this warranty:

- Any accessories supplied with the product
- Improper use
- Fault due to wear and tear
- Any modification of the product effected by the user or a third party

CENTOLIGHT shall satisfy the warranty obligations by remedying any material or manufacturing faults free of charge at CENTOLIGHT's discretion either by repairing or exchanging individual parts or the entire appliance. Any defective parts removed from a product during the course of a warranty claim shall become the property of CENTOLIGHT.

While under warranty, defective products may be returned to your local CENTOLIGHT dealer together with the original proof of purchase. To avoid any damages in transit, please use the original packaging if available. Alternatively, you can send the product to CENTOLIGHT SERVICE CENTER - Via Enzo Ferrari, 10 - 62017 Porto Recanati - Italy. In order to send a product to service center, you need an RMA number. Shipping charges have to be covered by the owner of the product.

For further information please visit www.centolight.com

12 - WARNING

PLEASE READ CAREFULLY - EU and EEA (Norway, Iceland and Liechtenstein) only



This symbol indicates that this product is not to be disposed of with your household waste, according to the WEEE Directive (2012/19/UE) and your national law.

This product should be handed over to a designated collection point, e.g., on an authorized one-for-one basis when you buy a new similar product or to an authorized collection site for recycling waste electrical and electronic equipment (WEEE).

Improper handling of this type of waste could have a possible negative impact on the environment and human health due to potentially hazardous substances that are generally associated with EEE. At the same time, your cooperation in the correct disposal of this product will contribute to the effective usage of natural resources.

For more information about where you can drop off your waste equipment for recycling, please contact your local city office, waste authority, approved WEEE scheme or your household waste disposal service.

SOMMARIO

1 - Prima Di Iniziare	28
1.1. Cosa è Incluso	28
1.2. Istruzioni per il Disimballaggio	28
1.3. Accessori	28
1.4. Limiti di Responsabilità	28
2 - Istruzioni di Sicurezza	29
2.1. Significato dei simboli	29
3 - Installazione Sospesa	29
3.1. Installazione Sospesa	29
3.2. Calore	30
3.3. Manutenzione	30
4 - Introduzione	31
4.1. Caratteristiche	31
4.2. Dimensioni del Prodotto	32
5 - Setup del prodotto	32
5.1. Descrizione del pannello posteriore	32
5.2. Connessioni di Rete	33
5.3. Connessioni DMX	34
5.4. Terminatore DMX	35
5.5. Cavi DMX 3-Poli/5-Poli	35
6 - Funzionamento dei Menu	35
6.1. Impostazione dell'indirizzo DMX	37
7 - Assegnazioni e valori dei canali DMX	37
7.1. Tabella DMX512 in modalità 9-canali	37
7.2. Tabella DMX512 in modalità 23-canali	40
7.3. Tabella DMX512 in modalità 56-canali	43
7.4. Tabella DMX512 in modalità 65-canali	43
8 - Grafico Dei Lux	46
9 - Risoluzione dei Problemi	48
10 - Specifiche Tecniche	49
11 - Garanzia e Assistenza	50
12 - Avviso UE e SEE (Norvegia, Islanda, Liechtenstein)	50

1 - PRIMA DI INIZIARE

Grazie per aver acquistato MOODLINER 1430WP. Prima di iniziare, assicuratevi di leggere attentamente questo manuale! Il presente manuale fornisce una panoramica dei controlli e informazioni sul loro utilizzo.

1.1. Cosa è Incluso

La confezione include:

- 1x Barra Led CENTOLIGHT MOODLINER 1430WP
- 1X Cavo di Rete da 1,5m (59in circa) con connettore Powercon e Europlug
- 1X Connettore di Rete Powercon (Grigio)
- 1x Cavo da 1,5m (59in circa) DMX XLR 3pin Maschio - XLR 3-pin Femmina
- Questo Manuale d'uso

⚠ ATTENZIONE: La confezione non è un giocattolo! Tenere fuori dalla portata dei bambini! Conservare in un luogo sicuro il materiale di imballaggio originale.

1.2. Istruzioni per il Disimballaggio

Tirare fuori dall'imballo il prodotto con attenzione e controllare il cartone per assicurarsi che tutte le parti siano nella confezione e siano in buone condizioni. Se la confezione o il contenuto risultano danneggiati dalla spedizione o mostrano segni di maltrattamento, avvisare immediatamente il vettore o il rivenditore. Inoltre, conservare la scatola e il contenuto per una eventuale ispezione.

Se l'apparecchiatura dovesse essere restituita al produttore, è importante che venga riportata o spedita nell'imballo originale del produttore. Si prega di non intraprendere alcuna azione senza prima contattare il proprio rivenditore o aver contattato il nostro servizio di assistenza post-vendita (visitare www.centolight.com per i dettagli).

1.3. Accessori

CENTOLIGHT fornisce un'ampia gamma di accessori di qualità che è possibile utilizzare con i prodotti MOODLINER, come cavi, splitter, controller DMX, materiali di consumo e un'ampia gamma di altri fari. Tutti i prodotti sono stati testati con questo dispositivo; ti consigliamo di usare accessori e ricambi originali CENTOLIGHT.

1.4. Limiti di Responsabilità

Le informazioni e le specifiche contenute in questo manuale sono soggette a modifiche senza preavviso. CENTOLIGHT non si assume alcuna responsabilità per eventuali errori od omissioni e si riserva il diritto di rivedere questo manuale in qualsiasi momento.

Copyright© 2021 CENTOLIGHT. Tutti i diritti riservati.

2 - ISTRUZIONI DI SICUREZZA

- Leggete queste istruzioni
- Conservate queste istruzioni
- Prestate attenzione a tutti gli avvertimenti
- Seguite tutte le istruzioni

2.1. Significato dei simboli



Questo simbolo viene utilizzato per indicare che all'interno di questo apparecchio sono presenti terminali sotto tensione, anche in condizioni operative normali, che possono essere sufficienti a costituire il rischio di scosse elettriche o morte.



Questo simbolo è usato per descrivere importanti problemi di installazione o configurazione. Il mancato rispetto dei consigli e delle informazioni su come evitare tali problemi può portare al malfunzionamento del prodotto.



Questo simbolo indica un terminale di messa a terra.

ATTENZIONE

Descrive precauzioni da osservare per prevenire lesioni o morte dell'operatore.



Per proteggere l'ambiente, cercare di riciclare il più possibile il materiale di imballaggio e i materiali di consumo esauriti



Non gettare questo prodotto come spazzatura generica, conferire il prodotto seguendo le normative sui rifiuti elettronici in vigore nel vostro paese.

3 - INSTALLAZIONE SOSPESA

⚠ Prestare attenzione alla sicurezza! Si prega di fare sempre riferimento alla direttiva EN 60598-2-17 e agli standard nazionali in fase di installazione. Solo personale autorizzato può eseguire l'installazione.

3.1. Installazione Sospesa

- L'installazione del dispositivo deve essere progettata e costruita in un modo che possa sopportare 10 volte il peso per 1 ora, senza alcun cedimento o danneggiamento della struttura. L'installazione deve essere sempre protetta con un dispositivo di sicurezza secondario, ad esempio un cavo di sicurezza. Questo di-

positivo deve essere realizzato in un modo tale che nessuna parte del prodotto possa cadere se il fissaggio principale cedesse.

- Durante le operazioni di montaggio, smontaggio o manutenzione del faro è vietato consentire lo stazionamento o anche solo il passaggio nell'area sottostante l'installazione. L'operatore deve assicurarsi che l'installazione e i sistemi di sicurezza siano approvati da un esperto prima di avviare per la prima volta il funzionamento dopo aver apportato qualsiasi modifica. Deve inoltre assicurarsi che un esperto approvi nuovamente l'installazione e i dispositivi di sicurezza ogni anno.

⚠ IMPORTANTE: il montaggio su strutture sospese richiede un'esperienza specifica; tra cui (ma non soltanto) il calcolo dei limiti di carico di lavoro, la scelta del materiale di installazione e l'ispezione periodica del proiettore e dei dispositivi di sicurezza. Se non si dispone di tali qualifiche, è bene non procedere con l'installazione da soli, ma si consiglia di rivolgersi a professionisti specializzati. L'installazione impropria può provocare lesioni personali anche molto gravi.

- Se il faro deve essere alzato verso/o abbassato dal soffitto o da travi sospese, è consigliabile usare sistemi di tralicci professionali. L'apparecchio non deve mai essere lasciato oscillare liberamente.

⚠ ATTENZIONE: utilizzare i morsetti appropriati per montare l'apparecchio sul traliccio. Assicurarsi che il dispositivo sia fissato correttamente e che il traliccio stesso sia sicuro.

3.2. Calore

- Non usare in uno spazio ristretto. Installare sempre in una posizione con un'adeguata ventilazione, almeno 20" (50 cm) da superfici adiacenti. Assicurarsi che nessuna fessura di ventilazione sull'alloggiamento del prodotto sia bloccato.
- L'apparecchio deve essere posto lontano da fonti di calore come radiatori, stufe o altri apparecchi che producono calore.

⚠ Non usarlo quando la temperatura massima ambientale è superiore a 50 °C La temperatura ottimale di lavoro va da -20 °C a 50 °C (da -4 °F a 122 °F).

3.3. Manutenzione

- Non effettuare alcuna manutenzione diversa da quelle descritte nel presente manuale. In caso di ulteriori manutenzioni, rivolgersi a personale specializzato. Eventuali componenti interni devono essere acquistati da rivenditori specializzati. Utilizzare solo accessori o parti raccomandate dal produttore.

4 - INTRODUZIONE

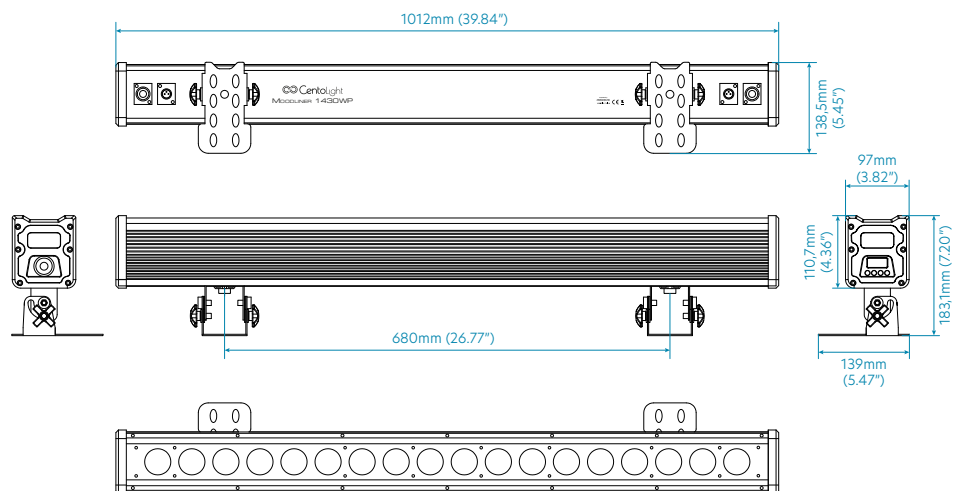
Centolight MOODLINER 1420WP è una Barra Cambia-colori da Esterno con fascio luminoso a 25°. La sorgente luminosa è costituita da 14 LED da 30W ciascuno con miscelazione dei colori RGBW 4in1. Il controllo DMX (con RDM) consente di controllare ogni singolo colore di ogni LED indipendentemente, consentendo effetti policromatici estremamente ricchi. La MOODLINER 1430WP nasce per applicazioni architettoniche all'esterno o in tutte quelle situazioni dove è necessario proiettare luce colorata in totale assenza di rumore (teatri, case di culto, musei, auditorium, ecc.).

La struttura del faro è completamente stagna ed è composta da parti in alluminio pressofuso e acciaio con guarnizioni in gomma di alta qualità per il massimo isolamento e resistenza ai rigori del tempo. Le connessioni Powercon di alimentazione In/Out e XLR per il DMX In/Out sono totalmente impermeabili.

4.1 Caratteristiche

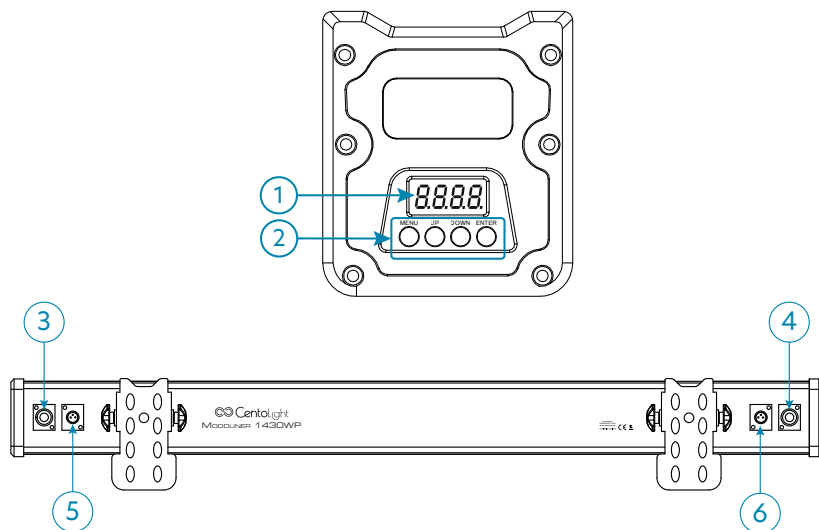
- Barra Wash Impermeabile con angolo a 25°
- 14 Led da 30W RGBW 4in1 con oltre 50.000h a vita
- Flusso Luminoso: (RGBW) 3082LUX / 3M, 794LUX / 7M
- Cri: Ra≥85.
- Funzionamento Flicker-Free
- Controllo Dimmer a 16-bit
- Funzionamento Silenzioso
- Grado di protezione IP65
- Connessioni di Alimentazione e Power impermeabili

4.2. Dimensioni del Prodotto



5 - SETUP DEL PRODOTTO

5.1. Descrizione del pannello posteriore



Il pannello di comando comprende connettori, occhiello di sicurezza, un display Led da 4 caratteri e un'area di funzionamento per il controllo dei pulsanti.

1) Display LED a 4 cifre

Mostra la modalità operativa e tutte le informazioni di sistema. Leggere "6 - Funzionamento dei Menu" a pagina 35

2) Tasti di controllo

Tasto MENU - Premere ripetutamente per passare da una pagina all'altra.

Tasto UP - Consente di scorrere le singole voci del menu di selezione e dei sotto-menu per le impostazioni del sistema (indirizzo DMX, modalità operativa, ecc.) e di aumentare i valori e le impostazioni dei parametri.

Tasto DOWN - Consente di scorrere le singole voci del menu di selezione e dei sotto-menu per le impostazioni del sistema (indirizzo DMX, modalità operativa, ecc.) e di diminuire i valori e le impostazioni dei parametri.

Tasto ENTER - Premere per accedere ai livelli dei menu e confermare le modifiche del valore dei parametri.

3) Prese di Ingresso di Alimentazione

Collegare il cavo di alimentazione in dotazione al MOODLINER 1430WP a una presa di corrente adatta a questa apparecchiatura. Leggere "5.2. Connessioni di Rete" a pagina 33 per dettagli.

4) Prese di Uscita di Alimentazione

Questo dispositivo è inoltre dotato di un connettore di alimentazione di uscita da utilizzare come sorgente di rete elettrica in caso di **connessione in cascata fino a un massimo di 5 fari**.

5) Prese di ingresso DMX

L'ingresso DMX è una presa XLR maschio a 3 pin per la connessione a una centralina di controllo DMX. Leggere "5.3. Connessioni DMX" a pagina 34 per informazioni su come collegare i cavi DMX.

6) Prese di uscita DMX

L'uscita DMX è presa femmina a 3-PIN per l'invio del segnale di controllo DMX ad altri fari. Leggere "5.3. Connessioni DMX" a pagina 34 per informazioni su come collegare i cavi DMX.

5.2. Connessioni di Rete

- Assicurarsi sempre che la tensione della presa a cui si collega il prodotto sia nell'intervallo indicato nel paragrafo "10 - Specifiche Tecniche" a pagina 49

(AC110V-240V; 50/60Hz).

- Assicurarsi che il cavo di alimentazione non sia spellato o danneggiato. Non collegare mai questo prodotto a un Dimmer Pack o un Variatore di Tensione.
- Non scollegare mai il prodotto dal cavo di rete tirando o tirando il cavo.
- Per evitare scosse elettriche, tutti gli apparecchi devono essere collegati a circuiti con interruttore automatico.
- La corrispondenza dei fili interni al cavo è la seguente:

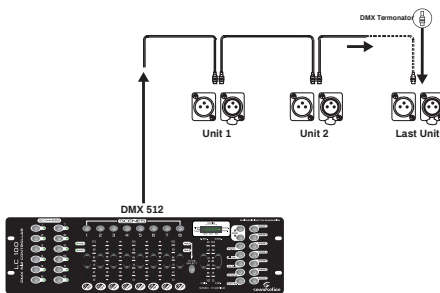
Colore Filo (EU)	Funzione	Nomenclatura Internazionale
Marrone	Fase	L
Blu	Neutro	N
Giallo/Verde	Terra	⊕

La Terra deve essere collegata! Prima di mettere in funzione per la prima volta, far approvare l'installazione da un esperto.

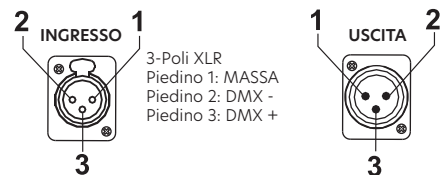
5.3. Connessioni DMX

Quando si utilizza un controller DMX, assicurarsi che non vi siano fonti di interferenza (interfono, onde radio ad alta frequenza e sorgenti di radiazioni).

Gli apparecchi DMX sono progettati per ricevere dati attraverso una catena seriale a cascata. Questo tipo di connessione permette di collegare il DMX OUT di un dispositivo al DMX IN del dispositivo successivo. L'ordine in cui i fari sono collegati non è importante e non ha alcun effetto su come una centralina comunica a ciascun faro. Utilizzare un ordine che preveda il cablaggio più semplice e diretto.



Uso dei 3-Piedini nei Connettori XLR per DMX



Collegare i dispositivi utilizzando un cavo bipolare schermato a 2 conduttori con connettori XLR maschio-femmina a 3 poli. La connessione dello schermo è il piedino 1, mentre il piedino 2 è negativo (S-) e il piedino 3 è positivo (S+).

ATTENZIONE: 1 fili non devono entrare in contatto l'uno con l'altro; altrimenti i dispositivi non funzioneranno affatto o non funzioneranno correttamente.

5.4. Terminatore DMX

DMX è un protocollo di comunicazione resiliente, tuttavia si potrebbero verificare occasionalmente degli errori. I terminatori riducono gli errori di segnale; è quindi consigliabile usarle quando si verificano problemi con comportamenti irregolari degli apparecchi; specialmente se la lunghezza dei cavi DMX è elevata.

Terminatore DMX

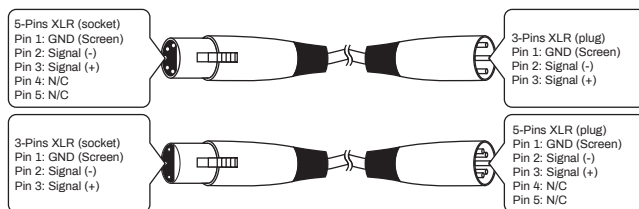


Il terminatore DMX è un connettore XLR con un resistore da 120Ω (ohm), 1/4 Watt collegato attraverso il segnale (-) e il segnale (+), rispettivamente, i pin 2 e 3, che viene quindi inserito nella presa di uscita sull'ultimo proiettore nella catena. Le connessioni sono illustrate di seguito.

⚠ Un cavo di segnale DMX standard può trasmettere segnali a 20 unità al massimo. E' necessario un amplificatore di segnale per collegare più apparecchi.

5.5. Cavi DMX 3-Poli/5-Poli

I protocolli di connessione DMX utilizzati dai produttori di centraline, teste mobili e fari non sono standardizzati in tutto il mondo. Tuttavia, due sono gli standard più comuni: XLR a 5 poli e sistema XLR a 3 poli. Se si desidera collegare questo faro a un dispositivo di ingresso XLR a 5 poli è necessario utilizzare un cavo adattatore o farlo da soli seguendo la corrispondenza di cablaggio tra gli standard di spina e presa a 3 e 5 poli



6 - FUNZIONAMENTO DEI MENU

Premendo il tasto MENU, il display scorrerà attraverso 14 menù diversi. Premere il tasto ENTER per accedere al menu corrispondente, premere UP o DOWN per modificare il valore del parametro corrente. Quindi, premere nuovamente il pulsante ENTER per salvare il valore corrente.

N°	Menu	Descrizione
1	A001 - A512	Selezione indirizzo DMX512 . Varia da 1 a 512. Premere UP e DOWN per regolare l'indirizzo, quindi ENTER per confermare.

2	09CH - 23CH 56CH - 65CH	Selezione della modalità DMX. E' possibile scegliere tra 09ch, 23ch, 56ch e 65ch. Consultate "7 - Assegnazioni e valori dei canali DMX" a pagina 37 per dettagli su ciascuna funzione. Premere UP e DOWN per impostare il modo desiderato; premere ENTER per confermare..
3	CC00-CC99	Funzione Color Jump con velocità regolabile da 00 (lento) a 99 (veloce). Premere UP e DOWN per variare la velocità; premere ENTER per confermare.
4	Ed00-Ed99	Funzione Pulse Gradient con velocità regolabile da 00 (lento) a 99 (veloce). Premere UP e DOWN per variare la velocità; premere ENTER per confermare.
5	Er00-Er99	Funzione 7-Color Running #1 con velocità jump fra 00 (lento) e 99 (veloce). Premere UP e DOWN per variare la velocità; premere ENTER per confermare. NOTA: In caso di connessione in cascata via DMX In/Out di più MOODLINER 1430WP e differenti valori di ID assegnati a ciascuna unità, è possibile realizzare effetti di color running dalla prima barra all'ultima.
6	Po00-Po99	Funzione 7-Color Running #2 con velocità jump fra 00 (lento) e 99 (veloce). Premere UP e DOWN per variare la velocità; premere ENTER per confermare. NOTA: In caso di connessione in cascata via DMX In/Out di più MOODLINER 1430WP e differenti valori di ID assegnati a ciascuna unità, è possibile realizzare effetti di color running dalla prima barra all'ultima.
7	tr00-tr36	Esecuzione di programmi automatici con 36 preset a varia configurazione. Varia da 00 a 36. Premere UP e DOWN per cambiare preset; premere ENTER per confermare.
8	tU00-tu99	Velocità di esecuzione dei programmi automatici, regolabile da 00 (lento) a 99 (veloce). Premere UP e DOWN per variare la velocità; premere ENTER per confermare.
9	bE00-bE99	Il MOODLINER 1430WP è dotato di microfono interno con effetti luminosi controllati dal suono circostante. La sensibilità del microfono può essere regolata da 00 (poco sensibile) a 99 (molto sensibile). Premere UP e DOWN per variare la sensibilità; premere ENTER per confermare.
10	r000-r255	Dimmer colore Rosso. Varia da 000 (buio) a 255 (massimo). Premere UP e DOWN per variare l'intensità luminosa; premere ENTER per confermare.
11	G000-G255	Dimmer colore Verde. Varia da 000 (buio) a 255 (massimo). Premere UP e DOWN per variare l'intensità luminosa; premere ENTER per confermare.
12	b000-b255	Dimmer colore Blu. Varia da 000 (buio) a 255 (massimo). Premere UP e DOWN per variare l'intensità luminosa; premere ENTER per confermare.
13	o000-o255	Dimmer colore Bianco. Varia da 000 (buio) a 255 (massimo). Premere UP e DOWN per variare l'intensità luminosa; premere ENTER per confermare.

14	Id01-Id18	In caso di più MOODLINER 1430WP collegate in cascata via DMX In/Out, potete assegnare a ciascuno di essi uno dei 18 valori ID e realizzare effetti luminosi con scorrimento dalla prima all'ultima barra. l'ID va da 01 a 18. Premete UP e DOWN per modificare l'ID; premete ENTER per confermare.
----	-----------	--

6.1 Impostazione dell'indirizzo DMX

Quando si seleziona un indirizzo DMX iniziale, considerare sempre il numero di canali DMX. Se si sceglie un indirizzo iniziale troppo alto, potresti limitare l'accesso ad alcuni canali del prodotto. MOODLINER 1430WP modalità a 9, 23, 56 e 65 canali DMX, i quali definiscono il più alto indirizzo configurabile, rispettivamente, a 496, 485 e 391 per avere tutti i canali controllabili. In questo modo potete controllare fino a 56 unità nella modalità di controllo a 9 canali, 22 unità nella modalità a 23 canali, 9 unità nella modalità a 56 canali e 7 unità nella modalità a 65 canali

7 - ASSEGNAZIONI E VALORI DEI CANALI DMX

Come anticipato, il MOONLINER 1430WP usa modalità a 9, 23, 56 e 65 canali DMX. Di seguito sono espote le tabelle con le assegnazioni di ciascun canale.

7.1 Tabella DMX512 in modalità 9-canali

CH	Funzione	Valore	Descrizione.
CH1	Dimmer	000-255	Dimmer R, G, B, W, da (0-100%)
CH2	Strobo	000-255	Strobo R, G, B, W, da lento a veloce (0-100%)
CH3	Funzione 1	000-036	Nessun effetto
		037-045	Nessun effetto
		046-050	Effetti arcobaleno (Jump). In caso di più barre con differenti ID assegnati per ciascuna, è possibile creare effetti di inseguimento multiplo. Il canale 4 cambia la direzione dell'effetto; CH1 e i canali compresi tra CH6 e CH9 controllano il master e il dimmer monocromatico.
		051-055	Effetti arcobaleno (Jump graduale). In caso di più barre con differenti ID assegnati per ciascuna, è possibile creare effetti di inseguimento multiplo. Il canale 4 cambia la direzione dell'effetto; CH1 e i canali compresi tra CH6 e CH9 controllano il master e il dimmer monocromatico.
		056-060	Colori statici. Spostare prima il canale da 4 a 056-060, quindi scegliere i colori utilizzando il canale da 1 a 4.
		061-065	Effetto Jump. Utilizzare CH1 e da CH6 a CH9 per controllare il master e il dimmer monocromatico.

CH3	Funzione 1	066-070	Cambiamento colore Gradually e Pulse Utilizzare CH1 e i canali compresi tra CH6 e CH9 controllano il master e il dimmer monocromatico.
		071-075	Running effect 1. *
		076-080	Running effect 2. *
		081-085	Running effect 3. *
		086-090	Running effect 4. *
		091-095	Running effect 5. *
		096-100	Running effect 6. *
		101-105	Running effect 7. *
		106-110	Running effect 8. *
		116-120	Running effect 9. *
		121-125	Running effect 10. *
		126-130	Running effect 11. *
		131-135	Running effect 12. *
		136-140	Running effect 13. *
		141-145	Running effect 14. *
		146-150	Running effect 15. *
		151-155	Running effect 16. *
		156-160	Running effect 17. *
		161-165	Running effect 18. *
		166-170	Running effect 19. *
		171-175	Running effect 20. *
		176-180	Running effect 21. *
		181-185	Running effect 22. *
		186-190	Running effect 23. *
		191-195	Running effect 24. *
		196-200	Running effect 25. *
		201-205	Running effect 26. *
		206-210	Running effect 27. *
		211-215	Running effect 28. *
		216-220	Running effect 29. *
		221-225	Running effect 30. *
		226-230	Running effect 31. *
		231-235	Running effect 32. *
		236-240	Running effect 33. *
		241-245	Running effect 34. *
246-250	Running effect 35. *		
251-255	Controllo audio. *		
CH4	Funzione 2	000-008	Nessun effetto
		009-012	Running effect 1. *

CH4	Funzione 2	013-018	Running effect 2. *
		019-025	Running effect 3. *
		026-030	Running effect 4. *
		031-032	Running effect 6. *
		033-039	Running effect 7. *
		040-046	Running effect 8. *
		047-053	Running effect 9. *
		054-060	Running effect 10. *
		061-067	Running effect 11. *
		068-074	Running effect 12. *
		075-081	Running effect 13. *
		082-088	Running effect 14. *
		089-095	Running effect 15. *
		096-102	Running effect 16. *
		103-109	Running effect 17. *
		110-116	Running effect 18. *
		117-123	Running effect 19. *
		124-130	Running effect 20. *
		131-137	Running effect 21. *
		138-144	Running effect 22. *
		145-151	Running effect 23. *
		152-158	Running effect 24. *
		159-165	Running effect 25. *
		166-172	Running effect 26. *
		173-179	Running effect 27. *
		180-186	Running effect 28. *
		187-193	Running effect 29. *
		194-200	Running effect 30. *
	201-207	Running effect 31. *	
	208-214	Running effect 32. *	
	215-221	Running effect 33. *	
	222-228	Running effect 34. *	
	229-235	Running effect 35. *	
	236-242	Running effect 36. *	
	243-249	Running effect 37. *	
	250-255	Running effect 38. *	
	Funzione 3	000-127	Quando il valore del Canale 3 è compreso tra 46 e 55 (Jamp/Fade Effetto arcobaleno), il Canale 4 controlla la direzione da sinistra a destra.
		128-255	Quando il valore del canale 3 è compreso tra 46 e 55 (Jamp/Fade Effetto arcobaleno), il Canale 4 controlla la direzione da destra a sinistra.

CH4	Funzione 3	000-255	Quando il valore del Canale 3 è compreso tra 56 e 60 (colori statici), il Canale 4 cambia i colori.
CH5	Velocità di funzionamento	000-255	Regola la Velocità di funzionamento da lenta a veloce (0-100%)
CH6	Regolazione dimmer R	000-255	Regolazione dimmer colore Rosso lineare (0-100%)
CH7	Regolazione dimmer G	000-255	Regolazione dimmer colore Verde lineare (0-100%)
CH8	Regolazione dimmer B	000-255	Regolazione dimmer colore Blu lineare (0-100%)
CH9	Regolazione dimmer W	000-255	Regolazione dimmer colore Bianco lineare (0-100%)

* Utilizzare CH1 e i canali compresi tra CH6 e CH9 controllano il master e il dimmer monocromatico

7.2 Tabella DMX512 in modalità 23-canali

CH	Funzione	Valore	Descrizione
CH1	Dimmer	000-255	Dimmer R, G, B, W, da (0-100%)
CH2	Strobo	000-255	Strobo, G, B, W, da lento a veloce da (0-100%)
CH3	Funzione 1	000-036	Nessun effetto
		037-045	Nessun effetto
		046-050	Effetti arcobaleno (Jump). In caso di più barre con differenti ID assegnati per ciascuna, è possibile creare effetti di inseguimento multiplo. Il Canale 4 cambia la direzione dell'effetto; CH1 e i canali compresi tra CH6 e CH9 controllano il master e il dimmer monocromatico.
		051-055	Effetti arcobaleno (Jump gradualmente). In caso di più barre con differenti ID assegnati per ciascuna, è possibile creare effetti di inseguimento multiplo. Il Canale 4 cambia la direzione dell'effetto; CH1 e i canali compresi tra CH6 e CH9 controllano il master e il dimmer monocromatico.
		056-060	Colori statici. Spostare prima il canale da 4 a 056-060, quindi scegliere i colori utilizzando il canale da 1 a 4.
		061-065	Effetto Jump. *
		066-070	Cambio colore Gradually e Pulse. *
		071-075	Running effect 1. *
		076-080	Running effect 2. *
		081-085	Running effect 3. *
		086-090	Running effect 4. *
		091-095	Running effect 5. *
		096-100	Running effect 6. *

CH3	Funzione 1	101-105	Running effect 7. *
		106-110	Running effect 8. *
		116-120	Running effect 9. *
		121-125	Running effect 10. *
		126-130	Running effect 11. *
		131-135	Running effect 12. *
		136-140	Running effect 13. *
		141-145	Running effect 14. *
		146-150	Running effect 15. *
		151-155	Running effect 16. *
		156-160	Running effect 17. *
		161-165	Running effect 18. *
		166-170	Running effect 19. *
		171-175	Running effect 20. *
		176-180	Running effect 21. *
		181-185	Running effect 22. *
		186-190	Running effect 23. *
		191-195	Running effect 24. *
		196-200	Running effect 25. *
		201-205	Running effect 26. *
		206-210	Running effect 27. *
		211-215	Running effect 28. *
		216-220	Running effect 29. *
		221-225	Running effect 30. *
		226-230	Running effect 31. *
231-235	Running effect 32. *		
236-240	Running effect 33. *		
241-245	Running effect 34. *		
246-250	Running effect 35. *		
251-255	Controllo audio. *		
CH4	Funzione 2	000-008	Nessun effetto
		009-012	Running effect 1. *
		013-018	Running effect 2. *
		019-025	Running effect 3. *
		026-030	Running effect 4. *
		031-032	Running effect 6. *
		033-039	Running effect 7. *
		040-046	Running effect 8. *
		047-053	Running effect 9. *
		054-060	Running effect 10. *
		061-067	Running effect 11. *

CH4	Funzione 2	068-074	Running effect 12. *
		075-081	Running effect 13. *
		082-088	Running effect 14. *
		089-095	Running effect 15. *
		096-102	Running effect 16. *
		103-109	Running effect 17. *
		110-116	Running effect 18. *
		117-123	Running effect 19. *
		124-130	Running effect 20. *
		131-137	Running effect 21. *
		138-144	Running effect 22. *
		145-151	Running effect 23. *
		152-158	Running effect 24. *
		159-165	Running effect 25. *
		166-172	Running effect 26. *
		173-179	Running effect 27. *
		180-186	Running effect 28. *
		187-193	Running effect 29. *
		194-200	Running effect 30. *
		201-207	Running effect 31. *
		208-214	Running effect 32. *
		215-221	Running effect 33. *
		222-228	Running effect 34. *
		229-235	Running effect 35. *
		236-242	Running effect 36. *
243-249	Running effect 37. *		
250-255	Running effect 38. *		
CH4	Funzione 3	000-127	Quando il valore del Canale 3 è compreso tra 46 e 55 (Jamp/Fade Effetto arcobaleno), il Canale 4 controlla la direzione da sinistra a destra.
		128-255	Quando il valore del canale 3 è compreso tra 46 e 55 (Jamp/Fade Effetto arcobaleno), il Canale 4 controlla la direzione da destra a sinistra.
		000-255	Quando il valore del Canale 3 è compreso tra 56 e 60 (colori statici), il Canale 4 cambia i colori.
CH5	Velocità di funzionamento	000-255	Regola la Velocità di funzionamento da lenta a veloce (0-100%)
CH6	Regolazione dimmer R	000-255	Regolazione dimmer colore Rosso lineare (0-100%)
CH7	Regolazione dimmer G	000-255	Regolazione dimmer colore Verde lineare (0-100%)
CH8	Regolazione dimmer B	000-255	Regolazione dimmer colore Blu lineare (0-100%)

CH9	Regolazione dimmer W	000-255	Regolazione dimmer colore Bianco lineare (0-100%)
CH10	Dimmer LED 1	000-255	Dimmer R, G, B, W (0-100%)
CH11	Dimmer LED 2	000-255	Dimmer R, G, B, W (0-100%)
CH12	Dimmer LED 3	000-255	Dimmer R, G, B, W (0-100%)
CH13	Dimmer LED 4	000-255	Dimmer R, G, B, W (0-100%)
CH14	Dimmer LED 5	000-255	Dimmer R, G, B, W (0-100%)
.....
CH23	Dimmer LED 14	000-255	Dimmer R, G, B, W (0-100%)

* Utilizzare CH1 e i canali compresi tra CH6 e CH9 controllano il master e il dimmer monocromatico.

7.3. Tabella DMX512 in modalità 56-canali

CH	Funzione	Valore	Descrizione.
CH1	Dimmer LED 1	000-255	Dimmer lineare Rosso 1 (0-100%)
CH2	Dimmer LED 1	000-255	Dimmer lineare Verde 1 (0-100%)
CH3	Dimmer LED 1	000-255	Dimmer lineare Blu 1 (0-100%)
CH4	Dimmer LED 1	000-255	Dimmer lineare Bianco 1 (0-100%)
CH5	Dimmer LED 2	000-255	Dimmer lineare Rosso 2 (0-100%)
CH6	Dimmer LED 2	000-255	Dimmer lineare Verde 2 (0-100%)
CH7	Dimmer LED 2	000-255	Dimmer lineare Blu 2 (0-100%)
CH8	Dimmer LED 2	000-255	Dimmer lineare Bianco 2 (0-100%)
.....
CH56	Dimmer LED 14	000-255	Dimmer lineare Bianco 14 (0-100%)

7.4. Tabella DMX512 in modalità 65-canali

CH	Funzione	Valore	Descrizione
CH1	Dimmer	000-255	Dimmer R, G, B, W, da (0-100%)
CH2	Strobo	000-255	Strobo, G, B, W, da lento a veloce da (0-100%)
CH3	Funzione 1	000-036	Nessun effetto
		037-045	Nessun effetto
		046-050	Effetti arcobaleno (Jump). In caso di più barre con differenti ID assegnati per ciascuna, è possibile creare effetti di inseguimento multiplo. Il Canale 4 cambia la direzione dell'effetto; CH1 e i canali compresi tra CH6 e CH9 controllano il master e il dimmer monocromatico.
		051-055	Rainbow Water Effects (Jump gradualmente). In caso di più barre con differenti ID assegnati per ciascuna, è possibile creare effetti di inseguimento multiplo. Il Canale 4 cambia la direzione dell'effetto; CH1 e i canali compresi tra CH6 e CH9 controllano il master e il dimmer monocromatico.

CH3	Funzione 1	056-060	Colori statici. Spostare prima il canale da 4 a 056-060, quindi scegliere i colori utilizzando il canale da 1 a 4.
		061-065	Effetto Jump. *
		066-070	Cambio colore Gradually e Pulse. *
		071-075	Running effect 1. *
		076-080	Running effect 2. *
		081-085	Running effect 3. *
		086-090	Running effect 4. *
		091-095	Running effect 5. *
		096-100	Running effect 6. *
		101-105	Running effect 7. *
		106-110	Running effect 8. *
		116-120	Running effect 9. *
		121-125	Running effect 10. *
		126-130	Running effect 11. *
		131-135	Running effect 12. *
		136-140	Running effect 13. *
		141-145	Running effect 14. *
		146-150	Running effect 15. *
		151-155	Running effect 16. *
		156-160	Running effect 17. *
		161-165	Running effect 18. *
		166-170	Running effect 19. *
		171-175	Running effect 20. *
		176-180	Running effect 21. *
		181-185	Running effect 22. *
		186-190	Running effect 23. *
		191-195	Running effect 24. *
		196-200	Running effect 25. *
		201-205	Running effect 26. *
		206-210	Running effect 27. *
		211-215	Running effect 28. *
		216-220	Running effect 29. *
		221-225	Running effect 30. *
		226-230	Running effect 31. *
		231-235	Running effect 32. *
236-240	Running effect 33. *		
241-245	Running effect 34. *		
246-250	Running effect 35. *		
251-255	Controllo audio. *		

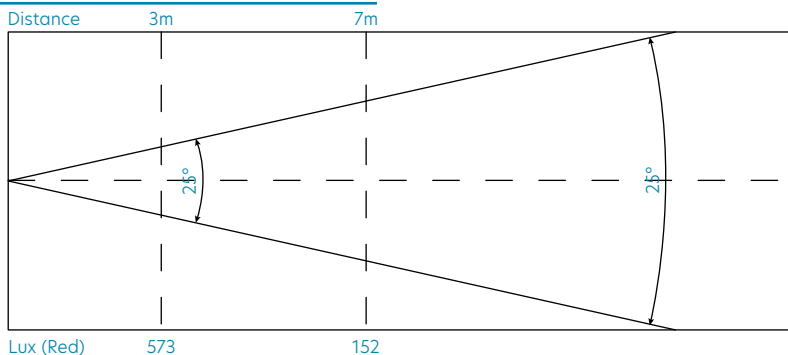
CH4	Funzione 2	000-008	Nessun effetto
		009-012	Running effect 1. *
		013-018	Running effect 2. *
		019-025	Running effect 3. *
		026-030	Running effect 4. *
		031-032	Running effect 6. *
		033-039	Running effect 7. *
		040-046	Running effect 8. *
		047-053	Running effect 9. *
		054-060	Running effect 10. *
		061-067	Running effect 11. *
		068-074	Running effect 12. *
		075-081	Running effect 13. *
		082-088	Running effect 14. *
		089-095	Running effect 15. *
		096-102	Running effect 16. *
		103-109	Running effect 17. *
		110-116	Running effect 18. *
		117-123	Running effect 19. *
		124-130	Running effect 20. *
		131-137	Running effect 21. *
		138-144	Running effect 22. *
		145-151	Running effect 23. *
		152-158	Running effect 24. *
		159-165	Running effect 25. *
		166-172	Running effect 26. *
		173-179	Running effect 27. *
		180-186	Running effect 28. *
		187-193	Running effect 29. *
		194-200	Running effect 30. *
		201-207	Running effect 31. *
		208-214	Running effect 32. *
		215-221	Running effect 33. *
		222-228	Running effect 34. *
		229-235	Running effect 35. *
		236-242	Running effect 36. *
		243-249	Running effect 37. *
		250-255	Running effect 38. *
		Funzione 3	000-127

CH4	Funzione 3	128-255	Quando il valore del canale 3 è compreso tra 46 e 55 (Jamp/Fade Effetto arcobaleno), il Canale 4 controlla la direzione da destra a sinistra.
		000-255	Quando il valore del Canale 3 è compreso tra 56 e 60 (colori statici), il Canale 4 cambia i colori.
CH5	Velocità di funzionamento	000-255	Regola la Velocità di funzionamento da lenta a veloce (0-100%)
CH6	Regolazione dimmer R	000-255	Regolazione dimmer colore Rosso Globale lineare (0-100%)
CH7	Regolazione dimmer G	000-255	Regolazione dimmer colore Verde Globale lineare (0-100%)
CH8	Regolazione dimmer B	000-255	Regolazione dimmer colore Blu Globale lineare (0-100%)
CH9	Regolazione dimmer W	000-255	Regolazione dimmer colore Bianco Globale lineare (0-100%)
CH10	Dimmer Rosso 1	000-255	Dimmer Rosso lineare 1 (0-100%)
CH11	Dimmer Verde 1	000-255	Dimmer Verde lineare 1 (0-100%)
CH12	Dimmer Blu 1	000-255	Dimmer Blu lineare 1 (0-100%)
CH13	Dimmer Bianco 1	000-255	Dimmer Bianco lineare 1 (0-100%)
CH14	Dimmer Rosso 2	000-255	Dimmer Rosso lineare 2 (0-100%)
CH15	Dimmer Verde 2	000-255	Dimmer Verde lineare 2 (0-100%)
CH16	Dimmer Blu 2	000-255	Dimmer Blu lineare 2 (0-100%)
CH17	Dimmer Bianco 2	000-255	Dimmer Bianco lineare 2 (0-100%)
.....
CH65	Dimmer Bianco 14	000-255	Dimmer Bianco lineare 14 (0-100%)

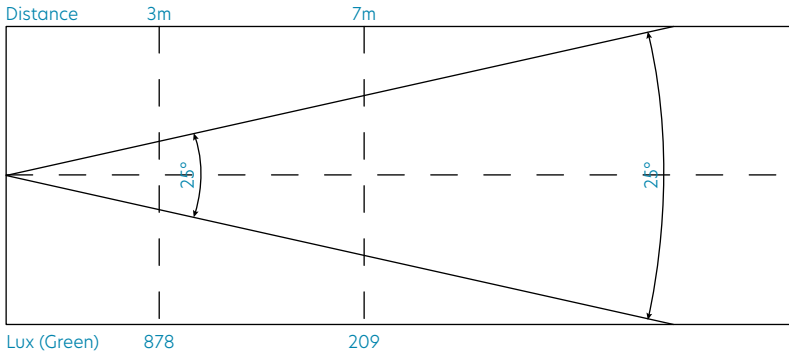
* Utilizzare CH1 e i canali compresi tra CH6 e CH9 controllano il master e il dimmer monocromatico.

8 - GRAFICO DEI LUX

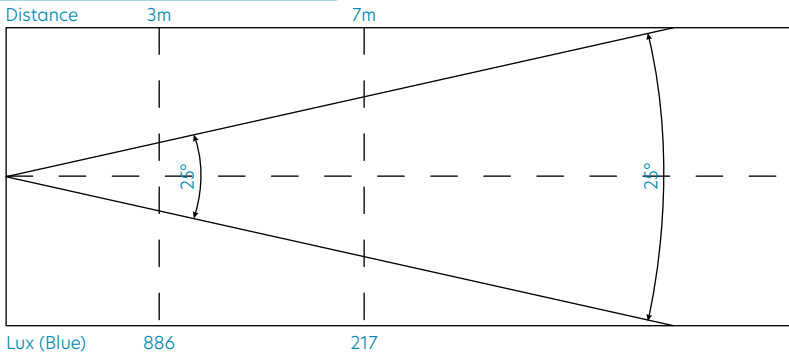
1) Grafico dei Lux a 25° (solo Rosso)



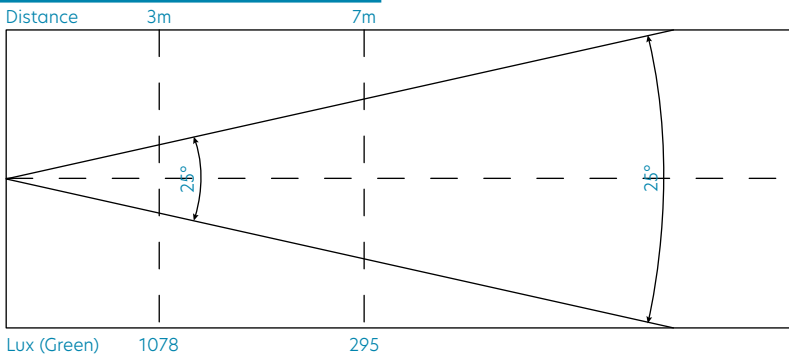
2) Grafico dei Lux a 25° (solo Verde)



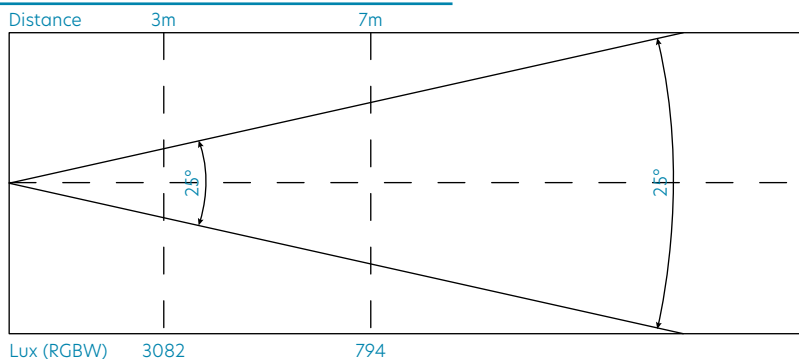
3) Grafico dei Lux a 25° (solo Blu)



4) Grafico dei Lux a 25° (solo Bianco)



5) Grafico dei Lux a 25° (RGBW Combinati)



9 - RISOLUZIONE DEI PROBLEMI

Problema	Probabile Causa(e)	Rimedio
Nessuna risposta dal dispositivo quando si applica l'alimentazione.	Nessuna alimentazione al faro.	Controllare il cavo di alimentazione. Controllare la spina
Il faro non si accende correttamente.	Problema elettrico interno.	Contattare il Servizio di Assistenza.*
Nessuna luce o il LED si funziona a intermittenza o si brucia troppo velocemente.	LED disconnesso or bruciato.	Scogliere il faro e sostituire il LED.
	Il faro o il LED sono molto caldi.	Fate raffreddare il faro. Se il problema persiste, contattate il servizio assistenza.*
L'apparecchio si accende ma non risponde correttamente alla centralina DMX	Centralina non collegata.	Collegare la centralina.
L'apparecchio si accende ma non risponde correttamente alla centralina DMX	Canali DMX errati	Controllare i canali DMX sul faro e sulla centralina.
	Errore di trasmissione dei dati.	Controllate che i cavi siano collegati correttamente e che siano integri.
	Conflitto fra controllo nella scena e impostazioni DMX di controllo della centralina.	Eliminare conflitti tra scene, crossfade e altri controlli assegnati dalla centralina al canale DMX.
L'apparecchio si accende ma non risponde correttamente alla centralina DMX	Connessione DMX con terminata.	Inserire un terminatore in uscita all'ultimo faro nella catena. **

L'apparecchio si accende ma non risponde correttamente alla centralina DMX	Faro difettoso tra 2 unità impostate in modo non corretto nella catena.	Bypassate tutti i fari uno alla volta, finché il problema non scompare. Per bypassare, basta scollegare i cavi DMX in ingresso e uscita dall'unità e collegarli fra di loro.
--	---	--

* Per contattare il Servizio Assistenza Centolight, consultare il paragrafo "11 - Garanzia e Assistenza" a pagina 50 o visitate il sito www.centolight.com

** Per istruzione su come installare un terminatore DMX, vedere "5.4. Terminatore DMX" a pagina 35.

10 - SPECIFICHE TECNICHE

Sorgente Luminosa	14 Led da 30W RGBW 4in1
Durata dei chip	Oltre 50.000h
Flusso Luminoso	(R) 573lux/3m, 152lux/7m; (G) 878lux/3m, 209lux/7m; (B) 886lux/3m, 217lux/7m; (W) 1078lux/3m, 295lux/7m; (RGBW) 3082lux/3m, 794lux/7m;
CRI	Ra≥85.
Frequenza di Contr. Dimmer	oltre 4.000Hz (Flicker-Free)
Angolo del Fascio Luminoso	25 °
Dimmer	Dimmer Lineare a 16-bit accurato
Strobo	Sì
Sistema di Raffreddamento	Convezione (Senza Ventola)
Modalità DMX	9/23/56/65 canali (con RDM)
Modalità di controllo	DMX, Master-Slave, Sound, Auto, Dimmer Manuale
Pannello di Controllo	4 Pulsanti e Display a Led
Protezione IP	IP65
Telaio	Alluminio + Acciaio
DMX In/Out	Connettori XLR a 3-Pin Impermeabili
Connettori di Rete	Connettori In/Out Powercon impermeabili
Alimentazione	100~240V - 50/60Hz
Consumo Energetico Massimo	450W
Temperatura di lavoro	-30 ÷ 55 ° C
Dimensioni Faro (LxPxA)	1012x139x138,5 mm max. - 39.84x5.47x5.45 in (piedi inclusi)
Peso Netto	7,2 kg - 15.87 lbs.
Dimensioni Imballo (LxPxA)	1040x170x220mm - 40.94x6.69x8.66 in
Peso Lordo	8,3 kg - 18.3 lbs.

Nota: i nostri prodotti sono soggetti a un processo di sviluppo continuo. Pertanto le modifiche alle caratteristiche tecniche restano soggette a modifiche senza preavviso.

11 - GARANZIA E ASSISTENZA

Tutti i prodotti CENTOLIGHT sono coperti da garanzia di due anni. Essa è valida dalla data di acquisto, come indicato dal documento di acquisto. I seguenti casi/componenti non sono coperti dalla garanzia di cui sopra:

- Tutti gli accessori forniti con il prodotto
- Uso improprio
- Guasto dovuto all'usura
- Ogni modifica del prodotto effettuata dall'utente o da terzi

CENTOLIGHT soddisfa gli obblighi di garanzia dovuti a eventuali materiali non conformi o difetti di fabbricazione, rimediando gratuitamente e a discrezione di CENTOLIGHT, sia mediante riparazione o sostituendo singole parti o l'intero apparecchio. Eventuali parti difettose rimosse da un prodotto durante il corso di una richiesta di garanzia diventano di proprietà di CENTOLIGHT.

Durante il periodo di garanzia, i prodotti difettosi possono essere restituiti al rivenditore CENTOLIGHT con prova di acquisto originale. Per evitare danni durante il trasporto, si prega di utilizzare l'imballo originale (se disponibile). In alternativa, inviare il prodotto a SERVICE CENTER CENTOLIGHT - Via Enzo Ferrari, 10 - 62017 Porto Recanati - Italia. Per inviare un prodotto al centro di assistenza è necessario un numero di RMA. Le spese di trasporto devono essere coperte dal proprietario del prodotto.

Per ulteriori informazioni visitate il sito www.centolight.com

12 - AVVISO UE E SEE (NORVEGIA, ISLANDA, LIECHTENSTEIN)



LEGGETE ATTENTAMENTE - Questo simbolo indica che il prodotto non deve essere smaltito con i rifiuti domestici, in base alla direttiva RAEE (2202/96/CE) e legislazione nazionale.

Il prodotto deve essere consegnato a un centro di raccolta differenziata o, in caso di ritiro dell'usato quando si acquista un nuovo prodotto simile, ad un rivenditore autorizzato per il riciclaggio di apparecchiature elettriche ed elettroniche (WEEE).

Un uso improprio di questo tipo di rifiuti può avere un impatto negativo sull'ambiente e sulla salute umana a causa di sostanze potenzialmente pericolose che sono generalmente associate alle apparecchiature elettriche ed elettroniche. Allo stesso tempo, la vostra collaborazione per il corretto smaltimento di questo prodotto contribuirà a un utilizzo efficace delle risorse naturali.

Per ulteriori informazioni sui punti di raccolta delle apparecchiature da rottamare, contattate il comune, l'autorità di gestione dei rifiuti, strutture coinvolte nel sistema RAEE o il servizio di smaltimento dei rifiuti domestici.



www.centolight.com



This product is imported in EU by
Questo prodotto viene importato nella UE da

FRENEXPORT SPA - Via Enzo Ferrari, 10 - 62017 Porto Recanati - Italy

Centolight® is a registered trademark of FRENEXPORT SPA - Italy
Centolight® è un marchio di fabbrica registrato di FRENEXPORT SPA - Italia



www.centolight.com