

## MZ-140DX

### Key Features

- 2 x 140 Watts RMS Power Output with Full Power Sharing of up to 280W into Channel 1
- 70V/100V or Min 4 Ohm Impedance Speaker Outputs (Configurable per Output)
- 2 x Balanced audio inputs
- USB Type C Class Compliant Audio
- MZ-CTRL application for Input, EQ, Delay, and Limiter adjustment.
- Compact 1U ½ rack size.
- Wall or rack mountable
- Universal ~100-240V worldwide operation
- Solid Construction



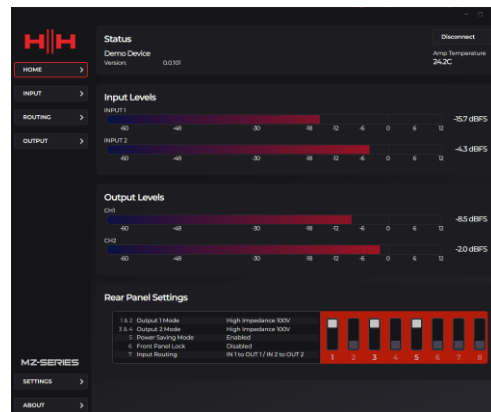
## COMPACT 2-CHANNEL INSTALLATION AMPLIFIER

### Applications

- Cafes
- Retail
- Fitness
- Pubs/Bars
- Houses of worship
- Corporate AV events
- Small venues
- Educational spaces
- Conference spaces
- Auditoriums



### MZ-CTRL Application



### Description

The MZ-140DX is a compact yet versatile 2-channel installation amplifier designed for smaller installations or expanding a larger system. The MZ-140DX delivers 140W RMS per channel with a total system power of 280W RMS, ensuring reliable and consistent performance. The dynamic power allocation of the MZ-140DX allows channel 1 to draw up to the full 280W RMS of available power, if required, providing the total system power is not exceeded. This enables the MZ-140DX to provide efficient power management uniquely tailored to each system. The MZ-140DX offers flexibility for a wide range of applications supporting both 70/100V (Hi-Z) and 4/8ohm (Lo-Z) systems.

Equipped with two balanced Euroblock 3.5mm input connectors, the MZ-140DX offers flexibility with input assignment enabling the user to assign inputs 1:1 or 1:All. The straightforward control panel simplifies setup and operation, with front 'scribble' strips providing a convenient way for installers to label and identify output channels.

For the first time in the MZ Series, we have included the option to use the USB Type C input on the rear panel to stream class-compliant audio at 48kHz. We have also developed an entirely new desktop application enabling deep customisation of the MZ-140DX. The MZ-CTRL application gives the installer the ability to control a wide range of parameters including input sensitivity, HPF, delay, phase, EQ, compression, input routing, crossover, and limiter. This opens up a world of customisation never seen in MZ models and enables the installer to integrate an audio system tailor-made to the application.

The compact half-rack 1U form factor of the MZ-140DX makes it a perfect choice for installation in tight spaces, with hardware included to surface-mount the unit or to connect two units side by side in a 1U 19-inch rack. The MZ-140DX gives you everything you need from a compact installation amplifier in a small system but has still been designed with system expansion in mind. The MZ-140DX makes the perfect companion for the MZ-64P zone controller and preamplifier, giving you greater dexterity with expanded input options, the possibility of adding MZ-C2 wall controllers to your system, emergency override input and manual paging input, all of which are easy to configure and control.



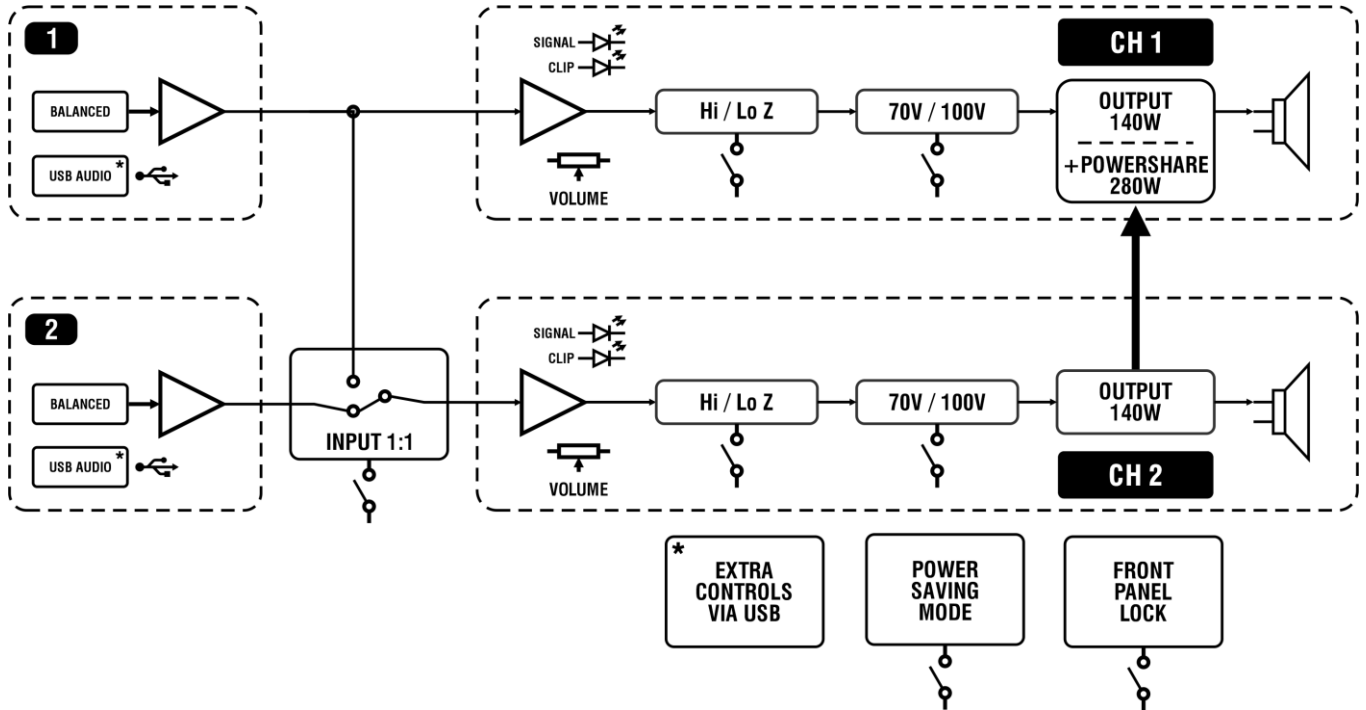
## Specifications

Specifications	
Model	MZ-140DX
System type	2 CHANNEL INSTALL POWER AMPLIFIER
Analogue Inputs	2x Balanced 3.5mm Euroblock connectors (Configurable 1:1 or 1:ALL via dip switches)
Digital inputs	USB Type C Class Compliant Audio streaming @48kHz
Output Channels	2 (Can direct drive 4 Ohm, 8 Ohm or 70/100V systems selectable per Output)
Total System Power Output	280W
Power Per Output Channel @ 4/8 Ohm	140W RMS* 140W into 8 Ohm. 95W into 4Ohm. (*130W max when running at 120V mains voltage)
Power Per Output Channel @ 70/100V	140W RMS* 140W into 70V. 120W into 100V (*130W max when running at 120V mains voltage)
Minimum Drive Impedance	4 Ohm
Output Limiter	Yes (Can be disabled via dip switches)
Frequency response	20-20KHz $\pm 0.1$ dBu (LoZ Mode) 80-20KHz $\pm 0.1$ dBu (HiZ Mode)
Input Sensitivity CH1 & 2	Line 0dBu Nominal
Maximum Outputs (Line levels)	+21dBu
Input Impedance	Line In: 20K $\Omega$
THD+N	<0.01% @ 0dBu in, mid volume <0.008% @ +6dBu in, maximum volume
Crosstalk	< -95dB crosstalk between channels, maximum volume
Noise Floor (A-weighted)	< -70dBu (unmuted) < -110dBu (muted)
SNR (A-weighted)	>110dB
Cooling	Thermally controlled 40x20mm Low noise brushless dual bearing fans for reliable performance in high ambient temperatures.
Output Connectors (Amplifier)	5.08mm Euroblock connectors per Zone
Controls	Each amplifier output features master volume controls, Dual Function Signal Present/Clip Led. Rear panel includes front panel lock and zone amplifier mode options via dip switches
EQ	Available in the MZ-CTRL Application
Indicators	Power/Standby, all outputs feature signal present and amp clip LEDs
AC Power	Universal AC 100-240V~ 50/60HZ
Power Consumption	17W Idle, 150W Typical, 200W Max, 0.4W Standby
Standby Modes	Individual channel standby and power saving mode, both with signal override. Energy Star & ErP 1275/2008/EC Compliant.
<b>Dimensions</b>	
Unit dimensions (HWD)	44 x 265 x 345 mm, (1.7" x 10.4" x 13.6")
Net Weight	2.5Kg, 5.5 lbs
Carton dimensions (HWD)	125 x 350 x 430 mm, (4.9" x 13.8" x 16.9") (0.019 M3)
Gross Weight	4Kg, 8.8 lbs
Master Carton dimensions (HWD)	205 x 450 x 435 mm (8.1" x 17.7" x 17.1") (0.04 M3) (2pcs)
Gross Weight	10Kg, 22 lbs
<b>Accessories</b>	Rack Mounting Kit included. 4x 3.5mm 3 way, 2x 3.5mm 5 way, 1x 5.08mm 6-way Euro Plugs included

In the interest of continued development, HH reserves the right to amend product specification without prior notification.

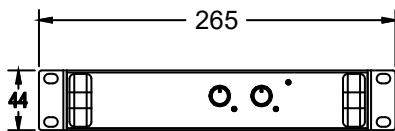
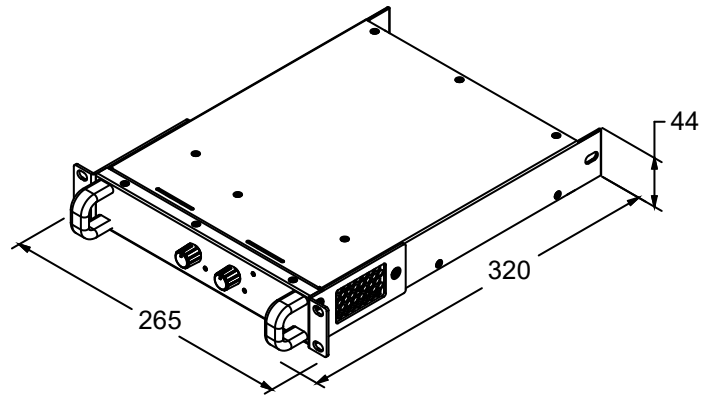
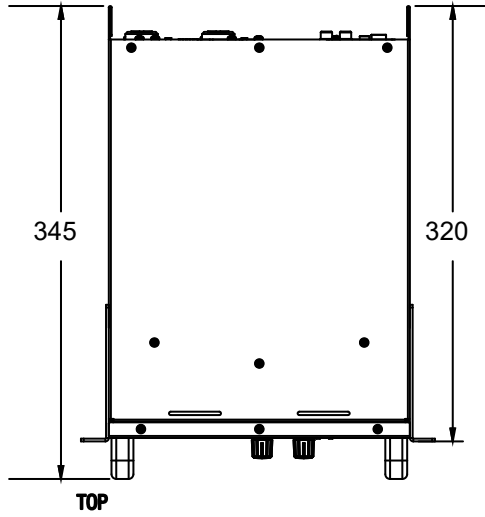


## Block Diagram



**Dimensions (in mm)**

**SINGLE UNIT**



**FRONT**

**TWO UNITS STACKED SIDE BY SIDE IN RACK WITH CONNECTION PLATE**

