

## Product registration



Register your EVOLVE: [electrovoice.com/register](http://electrovoice.com/register)

## Installation

### Caution!

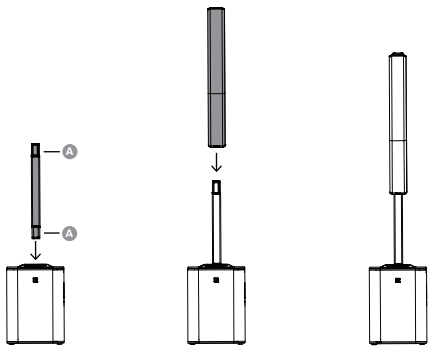
Do not attempt to move this loudspeaker system when it is fully assembled.

You may damage the system or cause personal injury.

### Assembling the loudspeaker system

To assemble the loudspeaker system, do the following:

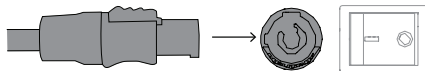
1. Place the **subwoofer** on a level and stable surface.
2. Insert the pole into the subwoofer base.  
The pole has magnets (A) at each end.
3. Place the **column array loudspeaker system** on top of the subwoofer pole.
4. The **column array loudspeaker system** set up is complete.



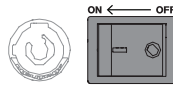
## Quick setup

To set up the loudspeaker:

1. Connect the AC power cord from a grounded receptacle to the **MAINS IN**.



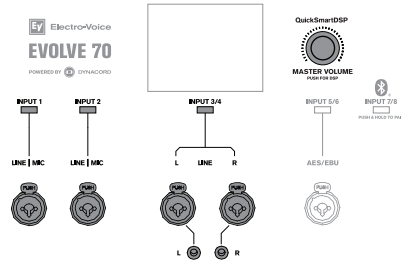
2. Switch power to **ON**.



3. Adjust the volume (**VOL**) to 0 dB using the **MASTER VOLUME** knob.



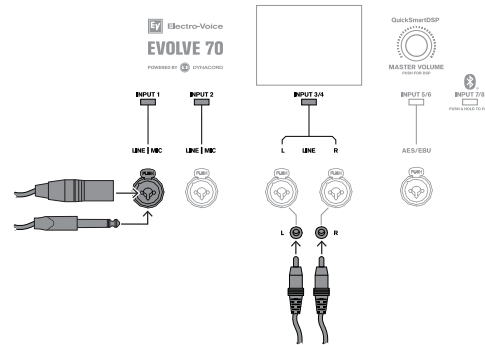
4. Press the input selection soft key to select the input channel. The softkey will illuminate once selected.



5. Use the **MASTER VOLUME** knob to adjust **INPUT LEVEL** to **MUTE**.

6. Connect an audio source using appropriate XLR, TRS, or RCA (cinch) cables.

Ensure audio source is **MUTE** or at a low level before making connection. After connection is made, increase the source's output to a reasonable level.



7. Adjust the **INPUT LEVEL** until the signal peaks are just below maximum level or the required output is achieved. If **PEAK (PK)** is indicated, turn the level down until the **PEAK** indication disappears.

8. Press the input selection soft key again to exit the channel menu.

9. Using the **MASTER VOLUME** knob, adjust the volume (**VOL**) until you get the required output from the loudspeaker.



## Pairing the QuickSmart Mobile application

The EV QuickSmart Mobile app for tablets and smartphones is available for download from the Apple App Store and the Google Play Store.

Download and check the app for the latest firmware updates to enjoy optimal audio performance and maximize your control of the system.



### Notice!

The EV QuickSmart Mobile app is designed to only find loudspeakers from Electro-Voice featuring Bluetooth® control functionality. The EV QuickSmart Mobile app will not display other types of Bluetooth® devices, e.g. phones, laptops, tablets, or headsets.



Prior to pairing the EV QuickSmart Mobile app with Electro-Voice loudspeakers:

1. Ensure that Bluetooth® is enabled on the smartphone or tablet.

2. Ensure that pairing mode is enabled on the loudspeaker. To place the loudspeaker in pairing mode for both control and streaming:

1. Press and hold until **Pairing Mode On** and the 4-digit ID is shown on the LCD.

- Pairing mode can be enabled through the LCD menu for control and streaming separately. The loudspeaker remains in control pairing mode for about 2 minutes. If control pairing fails, repeat this step.

2. Navigate to your mobile device's Bluetooth® settings menu, find the EVOLVE loudspeaker with the matching 4-digit ID and ensure you are paired to the loudspeaker. This will pair the mobile device to the EVOLVE loudspeaker for audio streaming.

3. Continue to the next step to pair for control.



### Notice!

For Android devices running Android version 11 or older, ensure location services are allowed. Electro-Voice does not collect, store, or track user location data or personal information.

## First time pairing

1. Open the EV QuickSmart Mobile app.
2. **Select your Speakers** is displayed on the screen. The EV QuickSmart Mobile app is looking for available Bluetooth® enabled Electro-Voice loudspeakers. The available loudspeakers are displayed on the screen.
3. Tap the loudspeaker you want to pair with the app. The selected loudspeaker will have a line under it acknowledging it is selected.
4. Repeat the previous step until all of the required loudspeakers are selected.
5. Tap the **CONNECT** button.
6. The app connects with the selected loudspeaker. You will get a message from iOS/iPadOS/Android about pairing for each device which has to be accepted.

### Notice!



If the message "Bluetooth Connection failed" appears, ensure that control pairing mode is enabled in the loudspeaker.

7. Tap **PAIR** on the device to accept pairing to the loudspeakers. The app can connect to up to six loudspeakers.

## Subsequent pairing

To pair additional loudspeakers with the EV QuickSmart Mobile app:

1. Tap the EV QuickSmart Mobile app icon.
2. **Select your Speakers** is displayed on the screen. The EV QuickSmart Mobile app is looking for available Bluetooth® enabled Electro-Voice loudspeakers. The available loudspeakers are displayed on the screen.
3. Tap the loudspeaker you want to pair with the app. The selected loudspeaker will have a line under it acknowledging it is selected.
4. Repeat the previous step until all of the required loudspeakers are selected.
5. Tap the **CONNECT** button. The app connects with the required loudspeaker. The app can connect to up to six loudspeakers.

## Warranty information

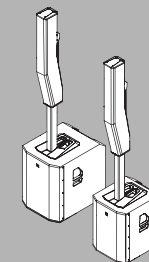
For information on warranty periods and after sales service, please visit: [www.electrovoice.com/warranty](http://www.electrovoice.com/warranty)

## **EVOLVE Column Loudspeaker System**

EVOLVE70-90-TB, EVOLVE70-90-TW,

EVOLVE70-SB, EVOLVE70-SW,

EVOLVE90-SB, EVOLVE90-SW



en Quick user guide



**Bosch Security Systems, LLC**

130 Perinton Parkway  
Fairport, NY 14450  
USA

[www.electrovoice.com](http://www.electrovoice.com)

© Bosch Security Systems, LLC, 2025

**EU importer:**

**Bosch Sicherheitssysteme GmbH**

Robert-Bosch-Platz 1  
70839 Gerlingen  
Germany

© Bosch Sicherheitssysteme GmbH, 2025



F.01U.433.419