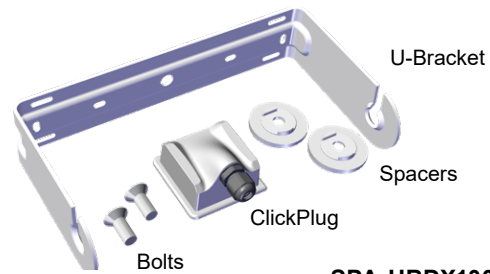


## Desono™ DX-S U-Bracket (SPA-UBDXxxx) Installation Guide

The U-Bracket is a low profile powder-coated marine grade aluminum design that allows the unit to be connected to a center suspension post or against the wall, ceiling, or other flat surface. It can also be mounted to a variety of third party stand and pole adapters.

A hole drilling template is included in each box to make installation easier.



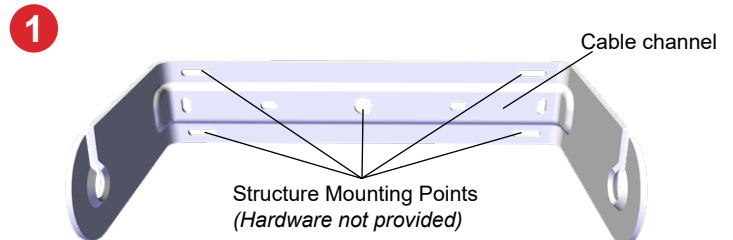
**SPA-UBDX100** - fits DX-S5  
**SPA-UBDX200** - fits DX-S8

### Installation

1. Mount the U-Bracket prior to loudspeaker installation. If mounting it horizontally on a wall, the slots should face up - see image at right. Route cable through the channel. Sufficient cable should be pulled through an unused bracket hole to create a drip loop (damp/wet applications) with enough extra to connect to the ClickPlug.

**NOTE:** If the wall is not finished before the loudspeaker is mounted, the U-Bracket and cable should be masked with painter's tape or other masking material.

2. Wire the ClickPlug as shown leaving enough for the likely mounting angle and a drip loop if necessary. Do this before mounting the loudspeaker.

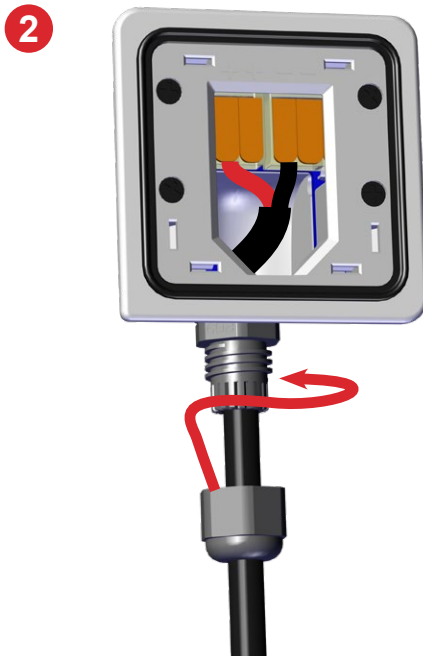


#### Cable / Wire Size

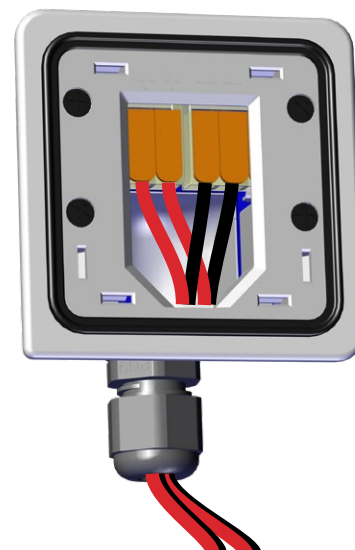
ClickPlug Cable gland nut will accept a 4-8mm (0.15-.3 in) diameter cable or 2 pairs 1.5mm<sup>2</sup> (16 ga) or 1 pair 2.5mm<sup>2</sup> (14 ga). For outside or moisture-rich environments - round SJOW cable or equivalent is advised to provide a weather-resistant seal in the tightened gland nut.

#### Tools Needed

- 5.5mm (or 7/32") Hex wrench
- Thin blade or flat screwdriver



Thread cable through the gland nut and barrel into ClickPlug  
(2 conductor cable shown)

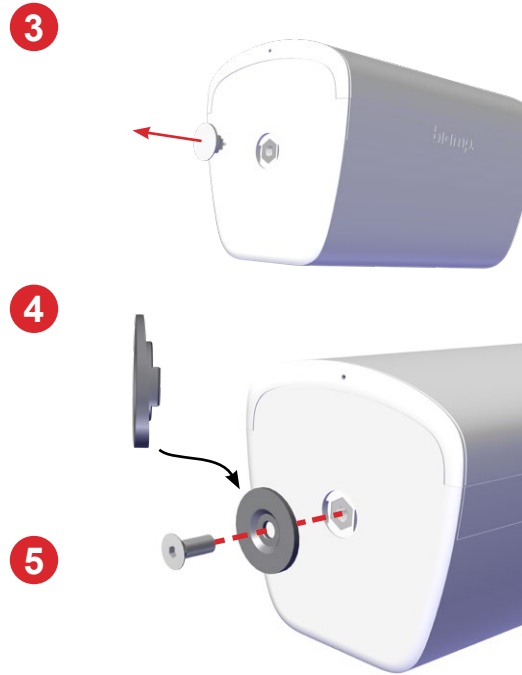


ClickPlug wired with 2 pairs for daisy-chained applications

## Attach the Loudspeaker to the U-Bracket

3. Remove the round caps covering the center mounting holes. Insert a thin blade into the front or rear of each end cap and pry them up. Pinch the side supports, and remove the caps. They can be discarded.
4. Insert a spacer into the recess. The thicker edge should be toward the rear of the loudspeaker, and the tabs should fit into the recess slots.
5. Thread a flat head bolt into the center hole on each end, leaving about 1/4" (6mm) of thread exposed.
6. Slide the loudspeaker onto the U-Bracket with the bolts fitting in the slots. It is easier if the back of the loudspeaker is facing the bracket.
7. Rotate to the approximate aiming position and tighten the bolts to hold the unit in place, but still allow it to rotate slightly.
8. Set aiming angle and tighten the bolts to prevent any movement. Once the angle is final, fully tighten bolts by using a 5.5mm (7/32") hex wrench. The loudspeaker will rotate 200° on the bracket.

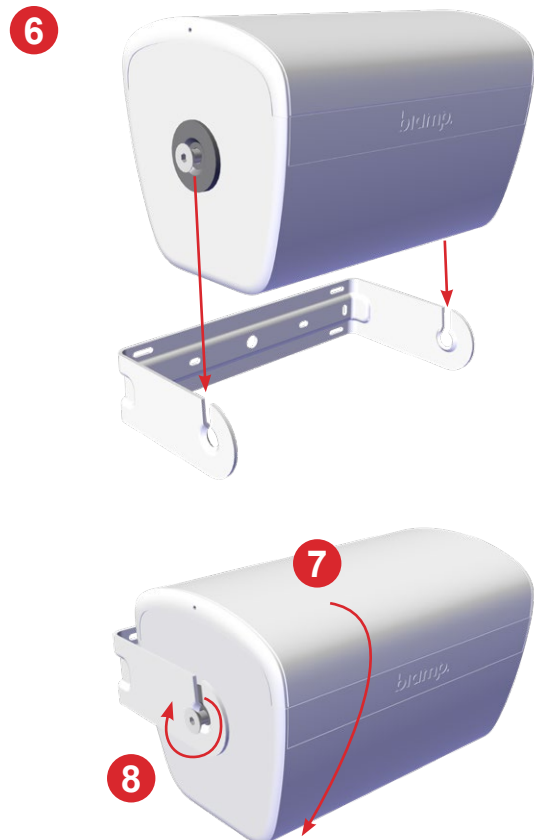
**IMPORTANT:** The cabinet is finished with a light coat of paint. Take care to avoid scratching or marring the finish when sliding the loudspeaker onto the U-Bracket.



### Vertical Orientation

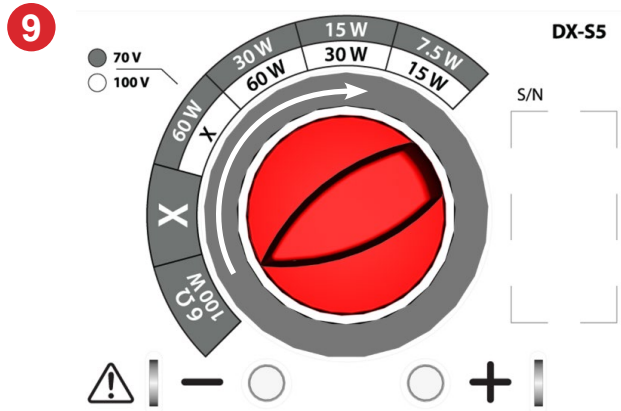


### Horizontal Orientation



## Adjust the Tap Switch

9. Rotate the tap switch knob to the desired setting before you attach the ClickPlug to the loudspeaker.



## Attach the ClickPlug

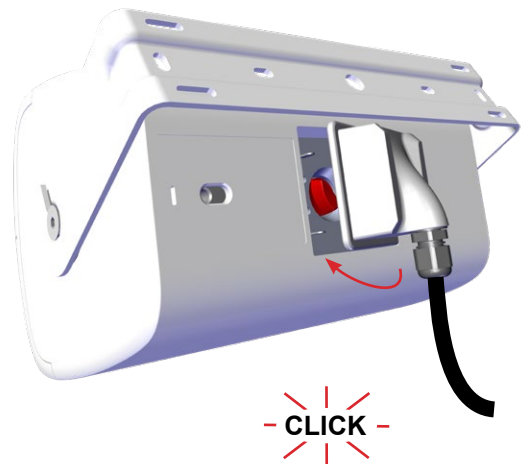
10. Insert the wired ClickPlug into the opening with the plug top (or side) into the indent under the safety cable loop first, then "click" it into place by pushing it against the latch until it is fully seated, and the latch returns to the "up" position. The general orientation of the ClickPlug should be with the gland nut pointed down (exception noted on the next page). It cannot be mounted with the gland nut pointed toward the safety loop.

**IMPORTANT:** The fit is very tight; press on the raised portion of the ClickPlug rather than the gland nut when inserting it.

10



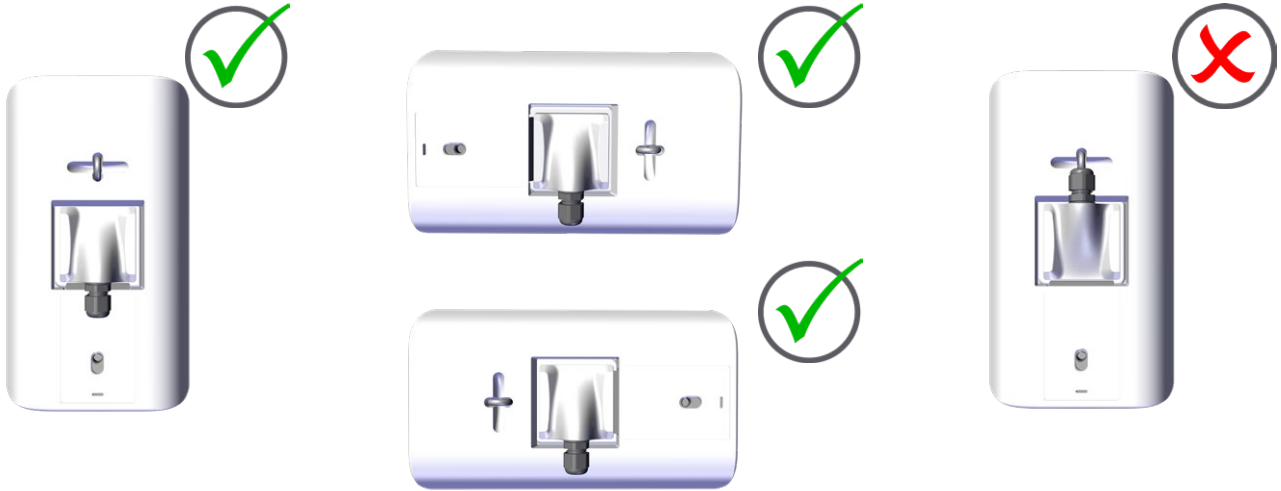
10



**CAUTION:** The ClickPlug fit is very tight and is difficult to remove, especially if it is oriented toward the side of the unit. Avoid attaching the ClickPlug until the speaker is fully installed. If the unit is installed outdoors or in a damp location make sure a cable drip loop is utilized to prevent any moisture from migrating into the gland nut.

## ClickPlug Orientation

The ClickPlug should be oriented as shown below. It can not be installed upside-down.



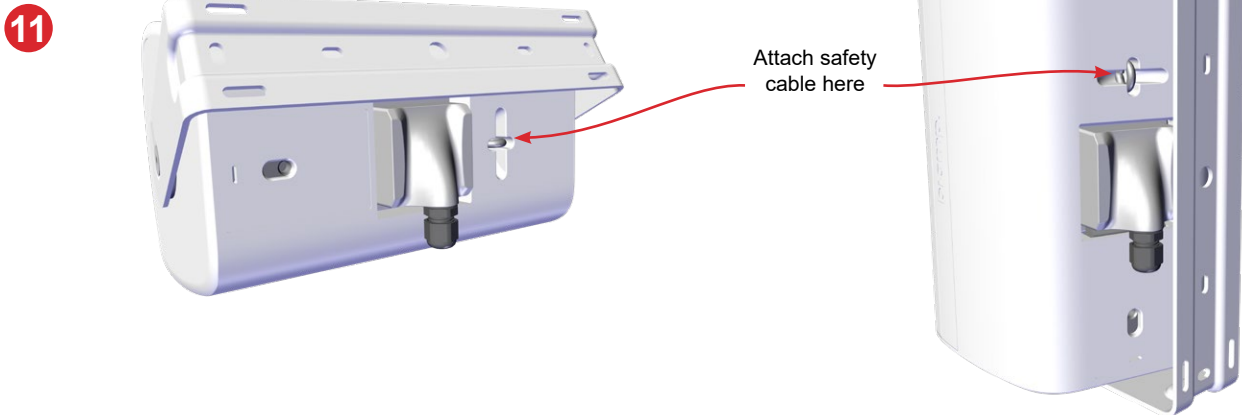
**NOTE:** When mounted horizontally, the ClickPlug gland nut and U-Bracket may interfere with each other. In this instance, the ClickPlug needs to be rotated 90° to provide clearance for the U-Bracket rotation. See image at right. In damp/wet applications you must use a drip loop to prevent the chance of water traveling into the gland nut.



## Attach Safety Cable

11. Secure the loudspeaker with a safety cable attached to the loop on the rear. The cable should be mounted to a secondary structural mounting point close to, and above the U-Bracket to avoid any kinetic force if the mount should fail.

**NOTE:** The installer is responsible for sourcing the proper safety cable to meet all applicable local building codes and standards.



# Desono™ DX-S U-Bracket (SPA-UBDXxxx)

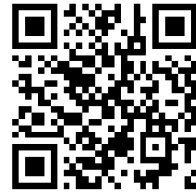
## SPECIFICATIONS

**Material / Finish:** Powder-coated Marine Grade aluminum. Black (RAL 9017) or White (RAL 9016)  
Color matched ABS spacer

### Unit Weight

SPA-UBDX100: xx lbs (xx kg)  
SPA-UBDX100: xx lbs (xx kg)

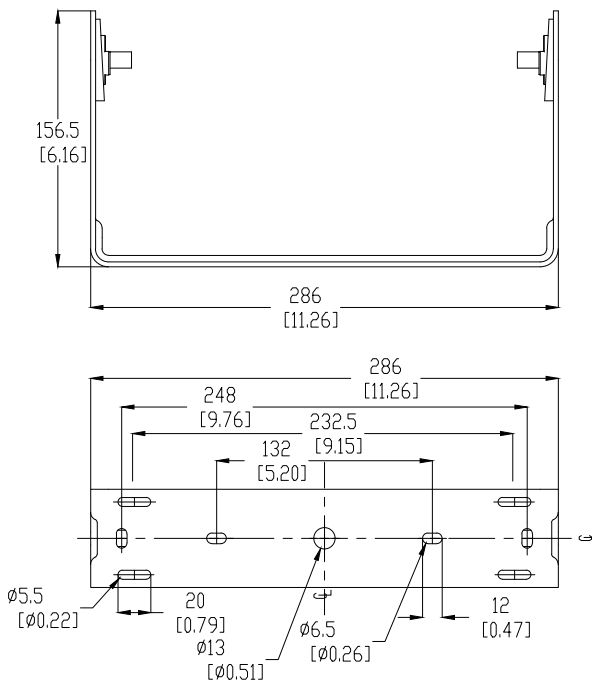
Scan this QR-code to download the full DX-S Installation guide



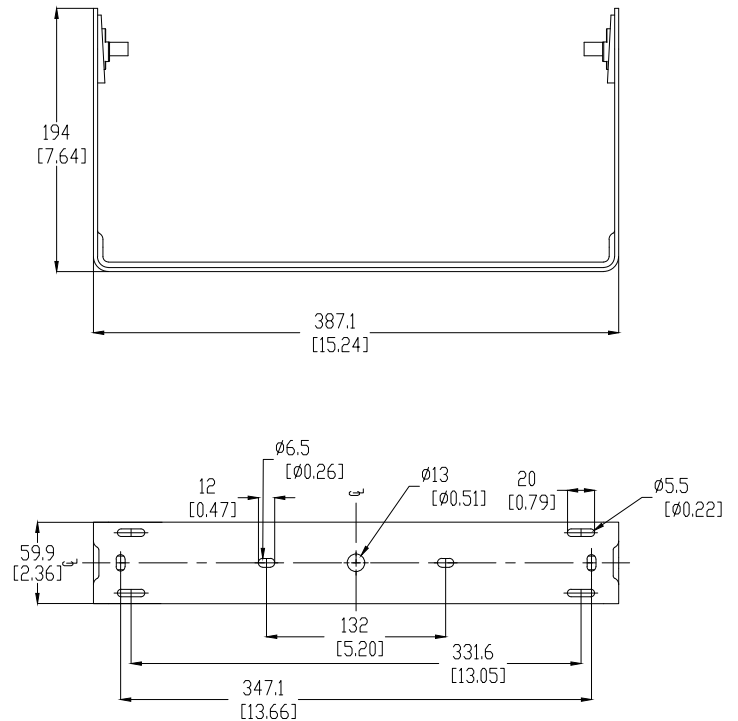
bia.mp/DX-S\_pubs

## TECHNICAL DRAWINGS

SPA-UBDX100



SPA-UBDX200



## CONTACT US

Email: [support@biamp.com](mailto:support@biamp.com)

Web: [support.biamp.com](http://support.biamp.com)

Warranty: [biamp.com/legal/warranty-information](http://biamp.com/legal/warranty-information)

**biamp.**

A: 9300 S.W. Gemini Drive Beaverton, OR 97008 USA

W: [www.biamp.com](http://www.biamp.com)

08NOV2022