



ENG • ITA

GH8
8" high performance full-range loudspeaker

GH8M
8" high performance full-range loudspeaker with marine treatments

Thank you for choosing KGEAR!

To ensure proper operation, please carefully read this owner's manual and safety instruction before using the product. After reading this manual, be sure to keep it for future reference.

If you have any questions about your new device please contact K-array customer service at support@k-array.com or contact the local distributor in your country.

The GH8 is a medium-sized, compact, and functional addition to the GH family. It features an 8" full-range dual-cone driver, delivering clear and powerful sound across a wide frequency range, even in challenging acoustic environments. The cardioid dispersion pattern reduces rear sound emission, minimizing energy loss and residual noise, achieving up to 129dB SPL per unit.

Housed in a durable stainless steel enclosure with an IP64 rating, the GH8 is designed to withstand outdoor applications. It integrates **Pure Array Technology (PAT)** and **Slim Array Technology (SAT)** for optimized sound coverage and performance. The speaker is equipped with 2x SpeakON connectors for signal input and linking, as well as a 4-pin Euroblock connector for secure connections in fixed installation applications.

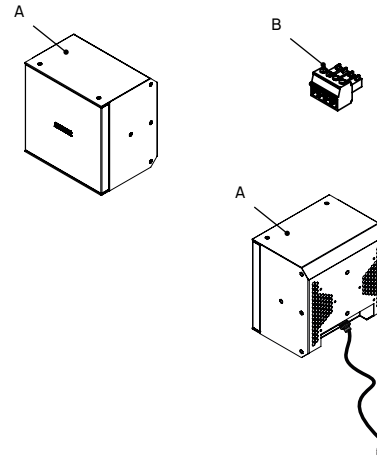
The GH8 is ideal for live performances, events, or fixed installations, offering flexibility in setup and exceptional sound quality.



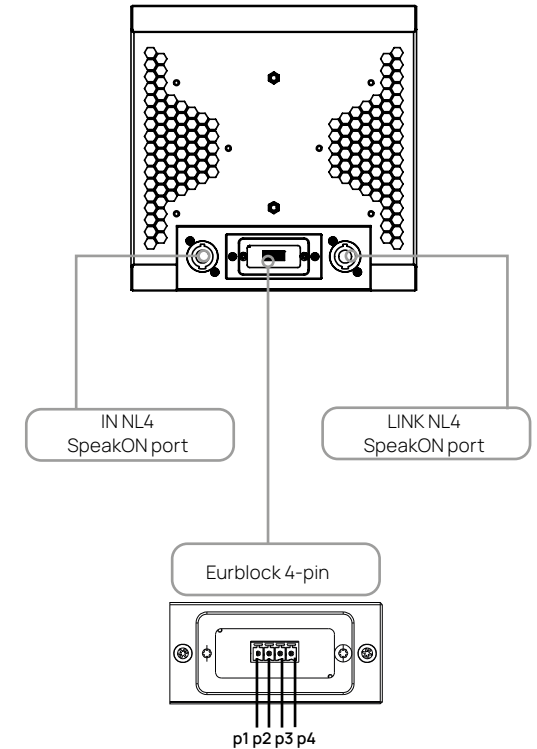
Unpacking

Each KGEAR device is inspected before leaving the factory. Upon arrival, carefully inspect the shipping carton, then examine and test your new device. If you find any damage, immediately notify the shipping company. Check that the following parts are supplied with the product:

- A. 1 x GH8 / GH8M - 8" full-range loudspeaker
- B. 1x Euroblock speaker connector (MC 1.5/4-ST-31: 1N)



GH8 rear panel



• 20251020 • Vrev-1.2 •

Wiring with NL4 speakON connectors

The GH8 speaker is equipped with 2x speakON NL4 connectors to facilitate easy connection of multiple speakers. Follow this guide for proper pass-through wiring:

SpeakON connectors terminals wiring

A) Terminals 1+ and 1-:

These terminals are connected internally to the GH8's dual-cone driver.

Connect the amplifier output to these terminal using a speakON NL4 cable wired 1+ 1-. This will power the GH8 speaker.

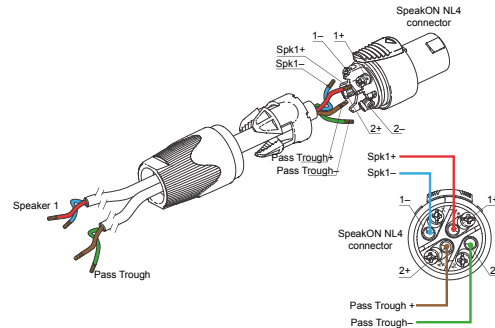
B) Terminals 2+ and 2-:

These terminals are not wired internally but serve as pass-through connections.

Use these terminals to connect additional GH8 speakers or similar units. Connect the next speaker's speakON cable wired 1+ 1- to these terminals. This allows the audio signal to continue to the next speaker.

The connection of multiple speakers in parallel is therefore facilitated by the pass-through feature of the second NL4 connector.

SpeakON		GH8	
A	1	1+ 1-	SIGNAL / IN
		2+ 2-	Trough / LINK OUT
B	2	1+ 1-	SIGNAL / IN
		2+ 2-	Trough / LINK OUT



Wiring with Euroblock 4-pin connector

The GH8 speaker also features a 4-pin Euroblock connector for quick and secure wiring in installation systems. This 4-pin Euroblock connector functions similarly to the two speakON NL4 connectors. The speaker is wired to the first two pins

- PIN1 / (1+) positive terminal
- PIN2 / (1-) negative terminal
- PIN3 / (1+) positive terminal - relaunch
- PIN4 / (1-) negative terminal - relaunch

PIN3 and PIN4 are used to pass the signal to another similar speaker connected in parallel and powered by the same amplifier.

16 Ω		
PIN 1		SIGNAL + (1+)
PIN 2		SIGNAL - (1-)
PIN 3		SIGNAL + (1+)
PIN 4		SIGNAL - (1-)

Amplifier Channel Matching

After correctly setting the impedance value for your audio system, ensure it is connected to the suitable KGEAR or K-array amplifier unit. For parallel connection of multiple units, please consult the provided table at the following link. - [KGEAR amplifier to KGEAR speaker Matching Table](#). Please remember that the parallel connection lowers the total load impedance. Ensure that the combined impedance of all connected speakers matches the impedance rating supported by your amplifier to prevent overloading and potential damage.

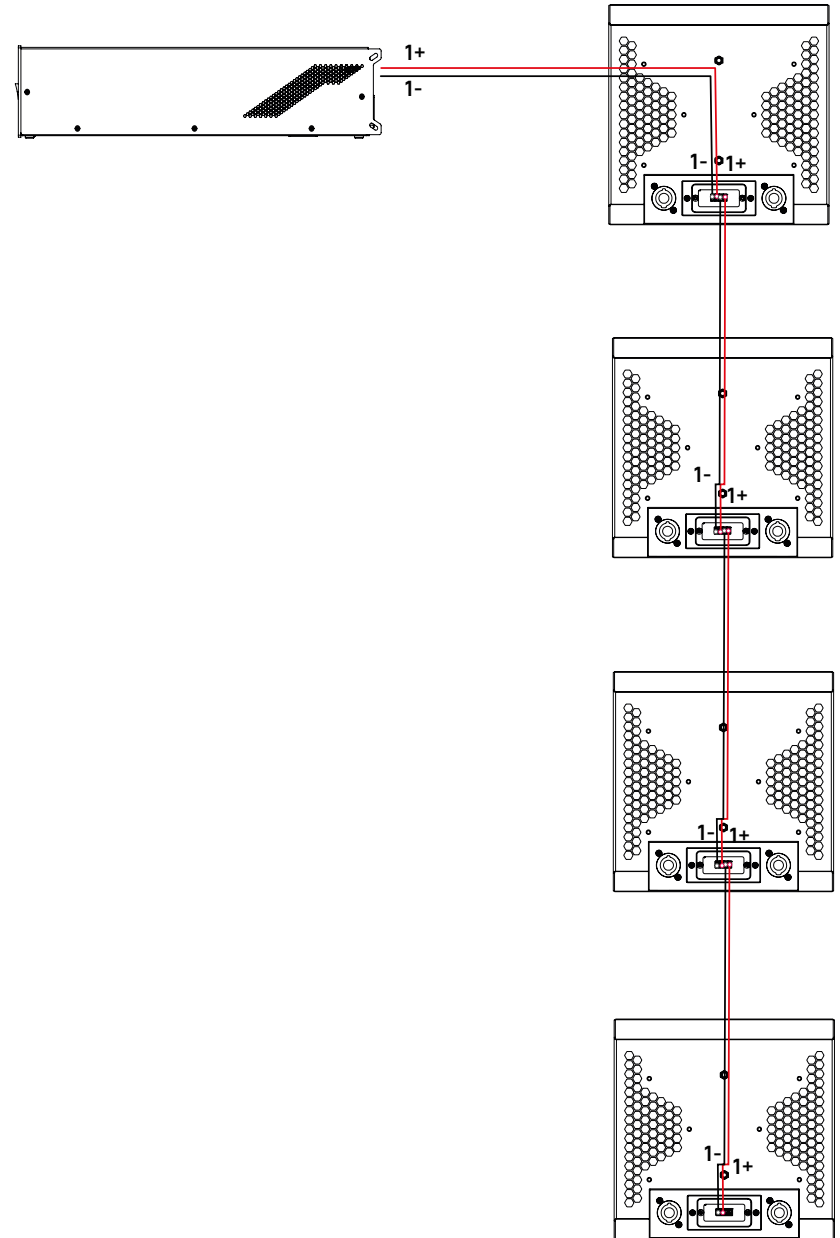
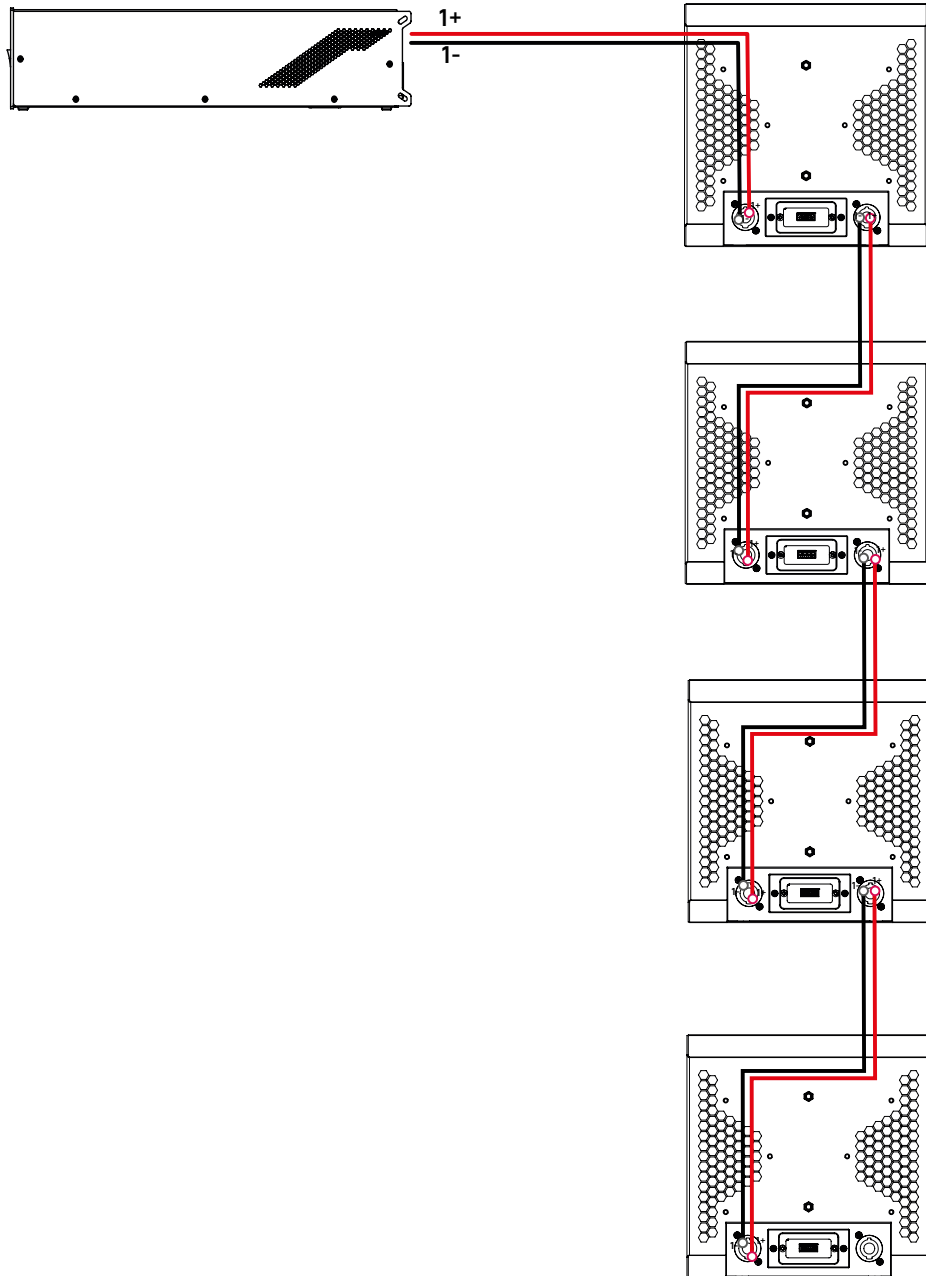


KGEAR-to-KGEAR



K-array-to-KGEAR

Always check the loudspeaker impedance before connecting the amplifier.



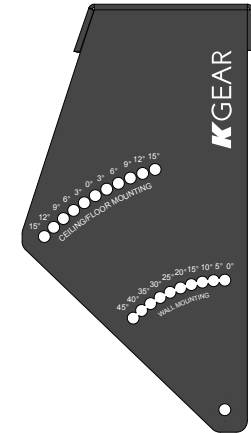
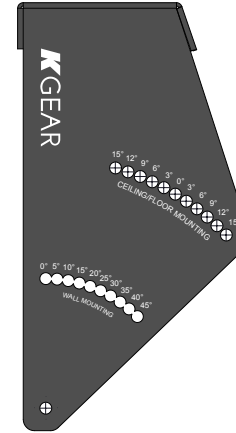
Ceiling and wall-mount installation

GH8-UBRACKET mounting bracket

The GH8 speaker can be installed on the ceiling, wall, or floor using the **GH8-UBRACKET**. This bracket is specifically designed to offer installation flexibility and features lateral holes that allow for various tilt angles. This functionality enables precise adjustment of the speaker's orientation and aiming, ensuring it is tailored to the listening area's needs and optimizing the desired acoustic coverage. As a result, it ensures effective sound diffusion across different spaces, meeting specific installation and listening requirements.

- 210° rotational freedom: Upward and downward movement.
- The GH8-UBRACKET is equipped with two different tilt points. By securing the bracket at the desired angle using the innermost points, **greater tilt flexibility is achieved.**
- **Installation tip: For wall mounting or upward orientation, rotate the bracket 180° before attaching it to the speaker. This allows free downward movement.**
- **Upward-facing setup: In a theater setting, placing upward-facing speakers on the balcony is a fantastic way to cover higher seating areas, ensuring that sound reaches all listeners without blocking sightlines to the stage.**

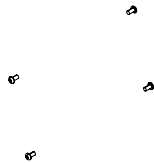
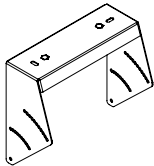
In the illustrations, we present various options for tilting and rotating the bracket. This system offers numerous combinations, adaptable to different applications and coverage areas. The various possible angles are clearly marked on the bracket's silkscreen, providing precise reference points to assist in achieving the desired positioning. We encourage you to explore all potential configurations, including those not depicted in the manual, for both wall-mounted and ceiling-mounted installations, ensuring optimal performance and flexibility to meet your specific needs.

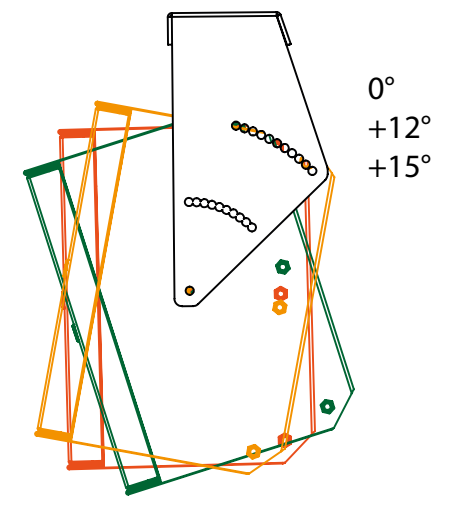
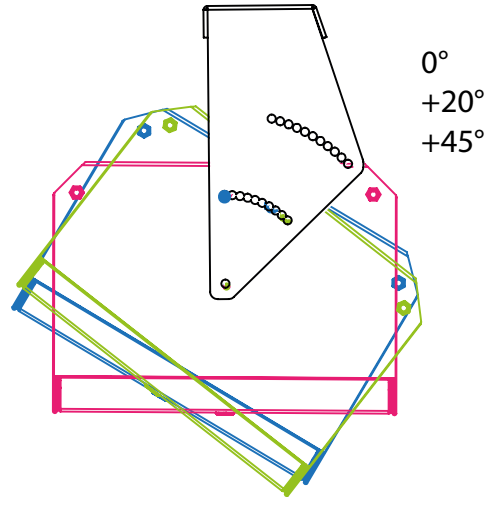
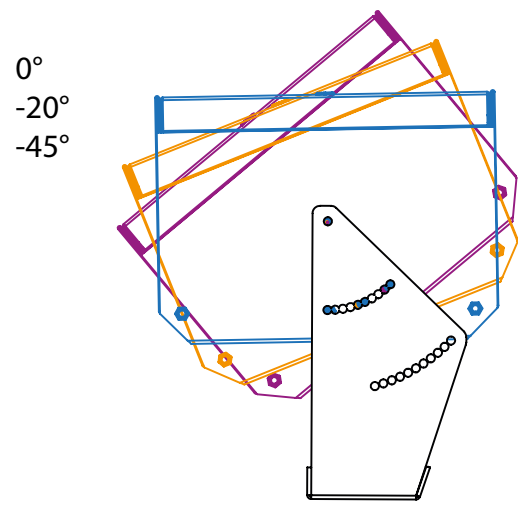
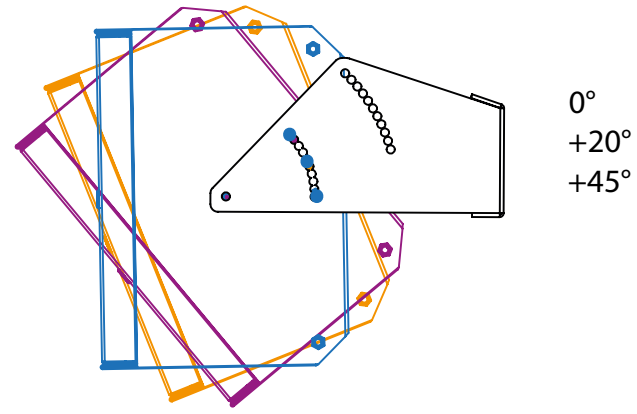
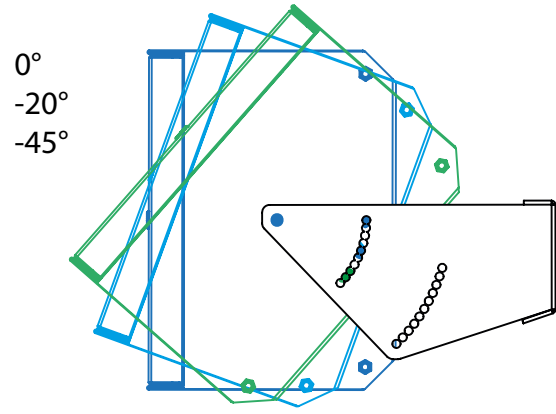


GH8-UBRACKET

1x GH8-UBRACKET

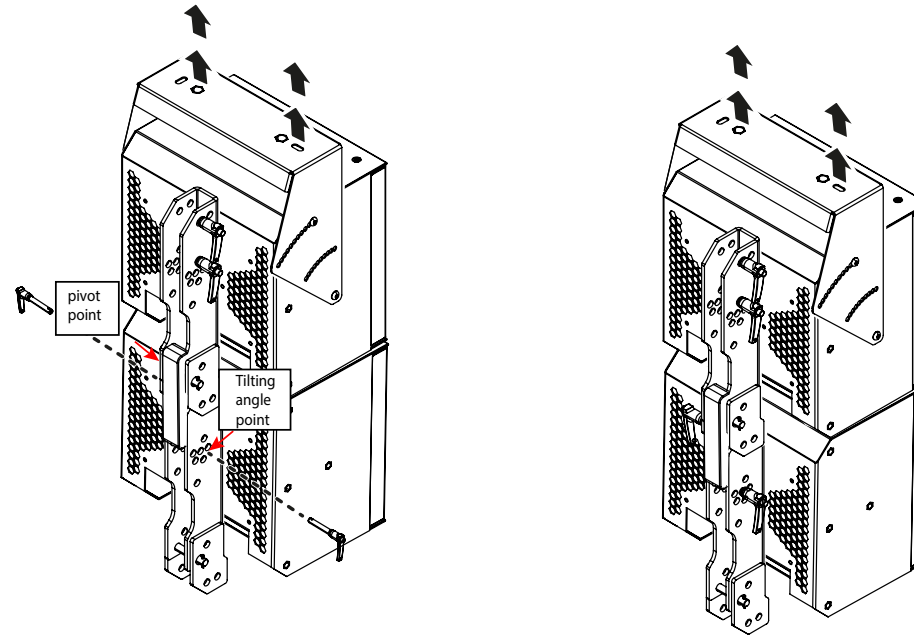
4x screws (included)





Mini-array configuration

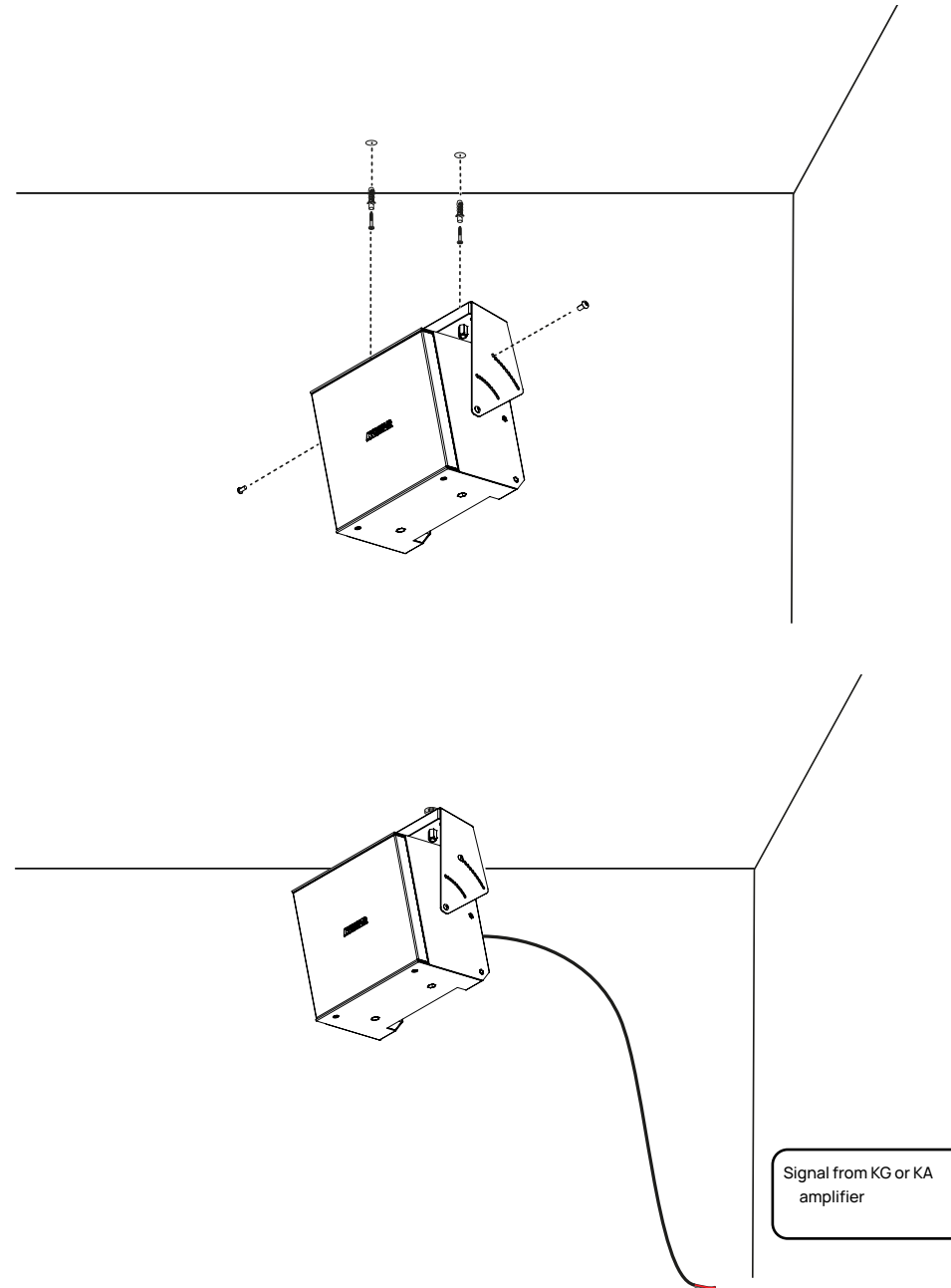
The **GH8-UBRACKET** allows for ceiling and floor installations of up to 2x GH8 units joined together using 2x **GH8-JOINT**. This configuration makes it easy to create small arrays, which can also be distributed throughout the space, without the need for the GH8-FLY, which is designed for more complex setups in concert environments



GH8 - GH8M

To install the GH8 with the dedicated **GH8-UBRACKET** on ceiling please follow this steps:

1. Choose the desired installation location (ceiling or wall) and ensure that the surface is sturdy and can support the weight of the speaker and the bracket.
2. Make sure you have all necessary tools, such as a drill, screws, anchors, and a screwdriver.
3. Align the **GH8-UBRACKET** with the mounting points on the speaker.
4. Attach the bracket to the speaker using 2x of the 4x included screws to be fixed in the lateral mounting holes. The orientation holes should be left free at this stage.
5. Hold the speaker (with the bracket attached) in the desired position against the wall or ceiling.
6. Use a pencil to mark the drilling points through the bracket's mounting holes onto the wall or ceiling surface.
7. Drill the holes at the marked points.
8. Insert wall anchors if needed, especially if mounting on drywall or a ceiling for extra stability.
9. Secure the bracket (with the speaker attached) using screws. Do not tighten the screws completely yet, as you will need to adjust the angle.
10. After the speaker is mounted on the ceiling or wall, the screws in the orientation holes can be tightened. This allows for adjustment of the speaker's angle directly from the listening position.
11. Complete the process connecting and wiring the speaker to the amplifier
12. After the speaker is mounted on the ceiling or wall, the screws in the orientation holes can be tightened. This allows for adjustment of the speaker's angle directly from the listening position



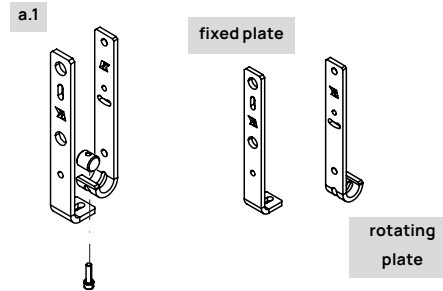
GH8 + K-WALL2LMINI

Installation on wall - maximum inclination and tilting

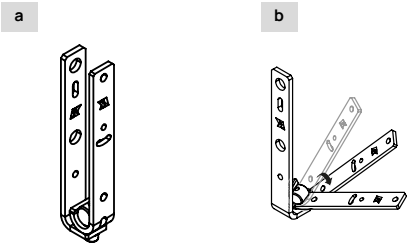
The **K-WALL2LMINI** is a miniature bracket derived from the larger K-WALL2L model by K-array™. This bracket is designed for wall and ceiling installation of an audio source and allows the speaker to be tilted downward up to 90°. Despite its small size, the **K-WALL2LMINI** retains the functionality of the larger model, offering a compact solution for securely mounting speakers while providing the option to direct the sound towards the audience or the desired area. The standout feature of the **K-WALL2LMINI** is its ability to allow for an even greater tilt, and it can also be used for ceiling installations. This added flexibility makes it an ideal choice for various setups, providing more options for precise sound direction and versatile mounting configurations.

Installation:

First, disassemble the **K-WALL2LMINI** by removing the bottom screw of the bracket to be fixed on the



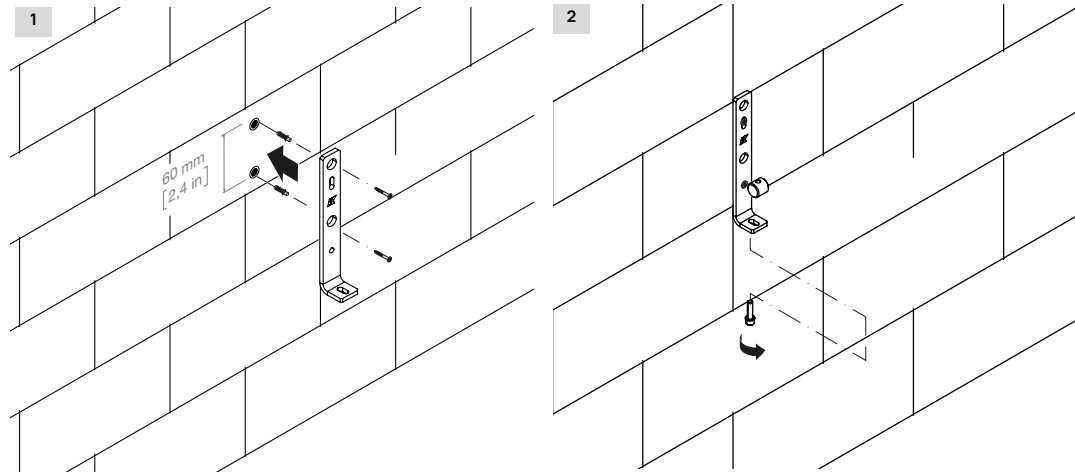
surface. The bracket's plate with the flatter end is the one that gets mounted on the wall, acting as the base for the other bracket (speaker side). Thanks to a freely rotating washer, the second bracket allows the speaker to be easily tilted to the desired angle.



K-WALL2LMINIM – Marine version

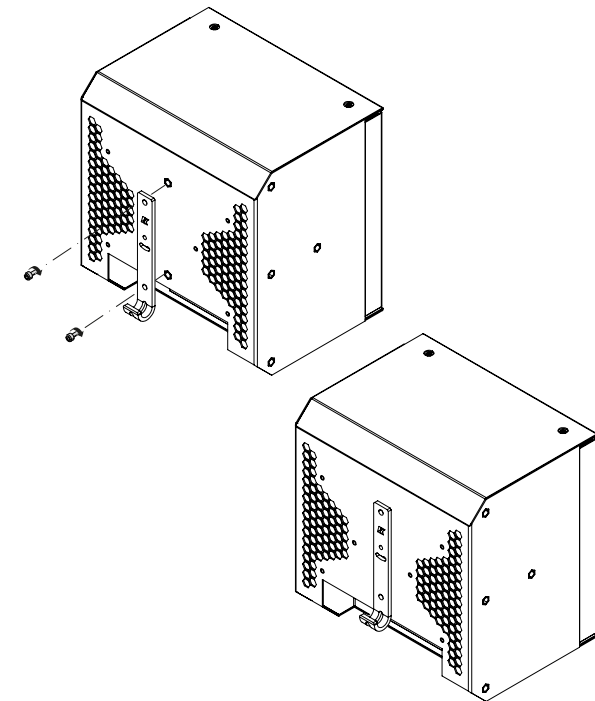
The marine version of the K-WALL2LMINIM bracket is specifically designed for installations in coastal and marine environments.

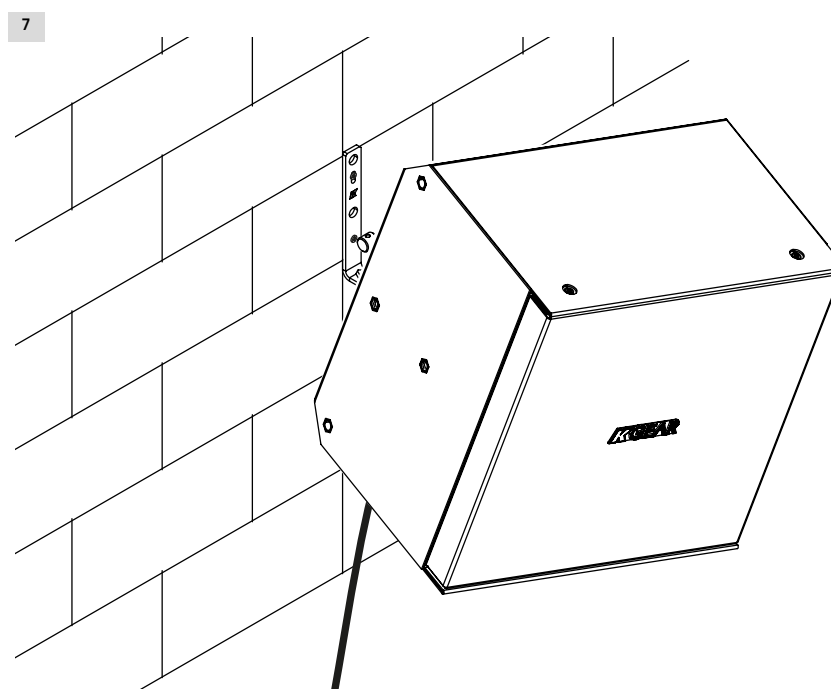
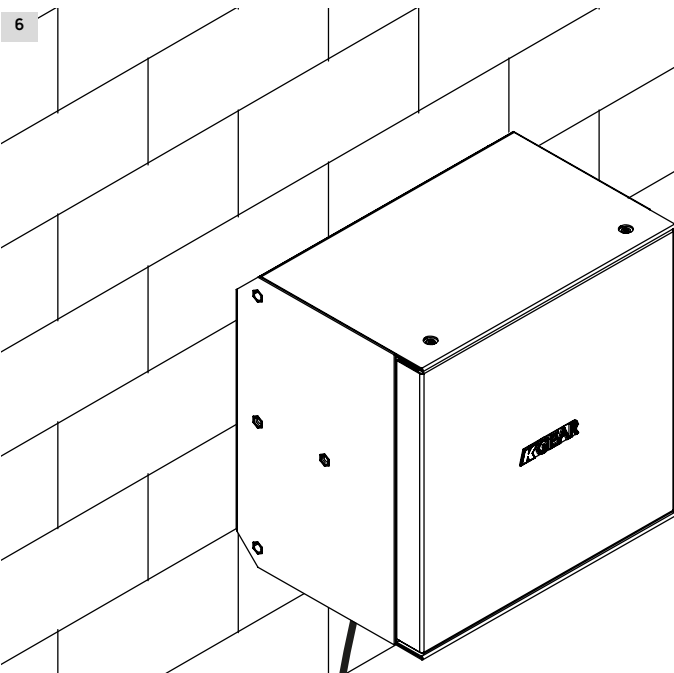
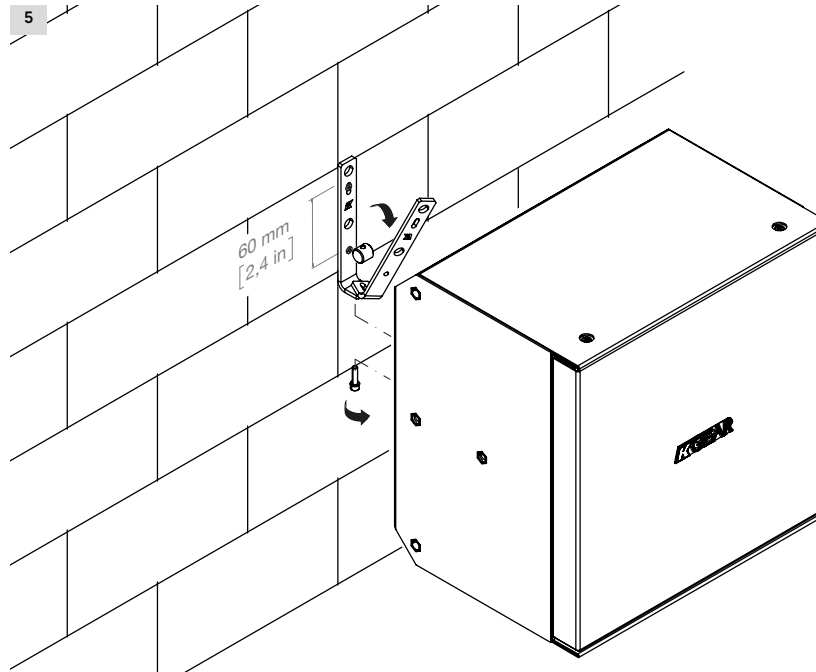
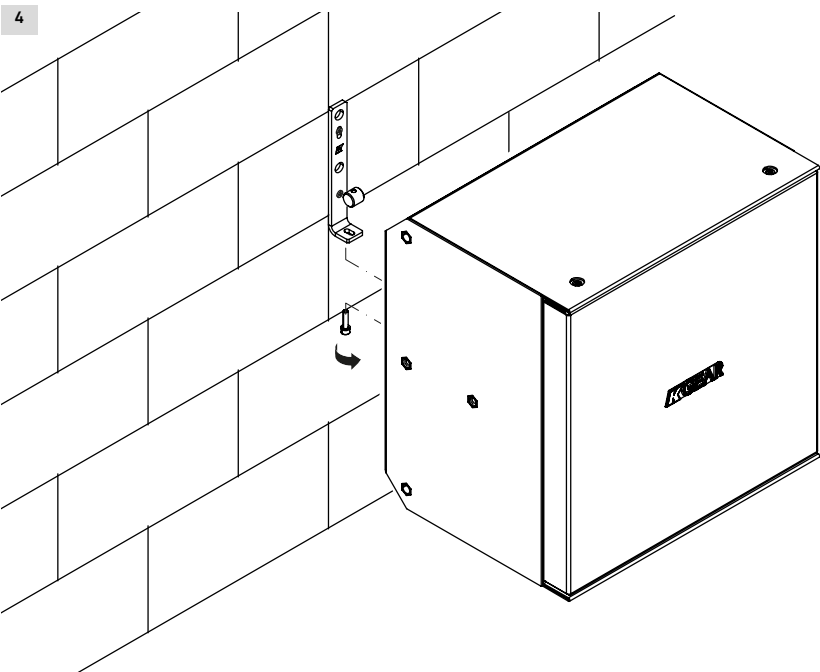
Manufactured with corrosion-resistant materials and protective surface treatments, it ensures maximum durability even when exposed to salt, moisture, and extreme weather conditions. **Compatible with GH8M, more info about the product at page 14.**



3

1. First, determine the ideal position for mounting the speaker on the wall, considering both the height and distance relative to the area you want to cover and properly sound.
2. Mount the plate to the wall using two screws and anchors, spaced 60mm apart
3. After the plate has been mounted on the wall, the other plate should be secured to the speaker using the provided mounting screws.
4. Then, reattach the bracket to the wall-mounted plate, and if needed, adjust the speaker to the desired angle.
5. GH4 is installed on wall with the K-WALL2LMINI bracket accessory.





GH8 + K-WALL2

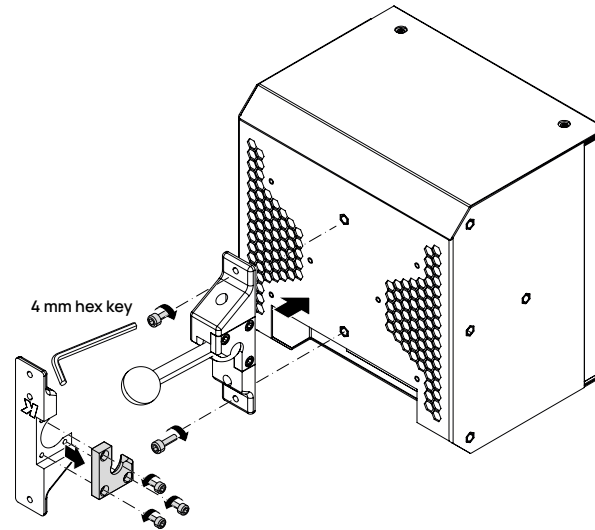
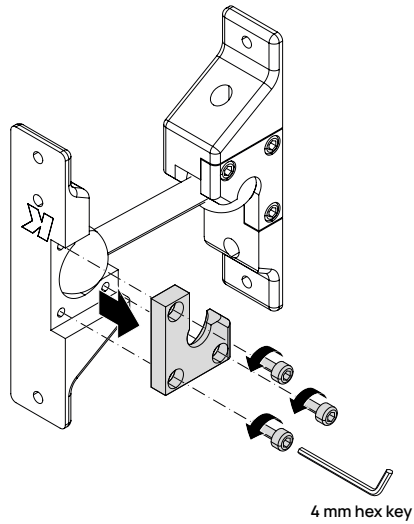
The **K-WALL2** is a variable tilt bracket by K-array™, designed for wall mounting an audio source. This support allows the speaker to be tilted downward and adjusted laterally, to the right and left, thanks to a small mobile arm that connects the bracket fixed to the wall with the one fixed to the speaker.

8

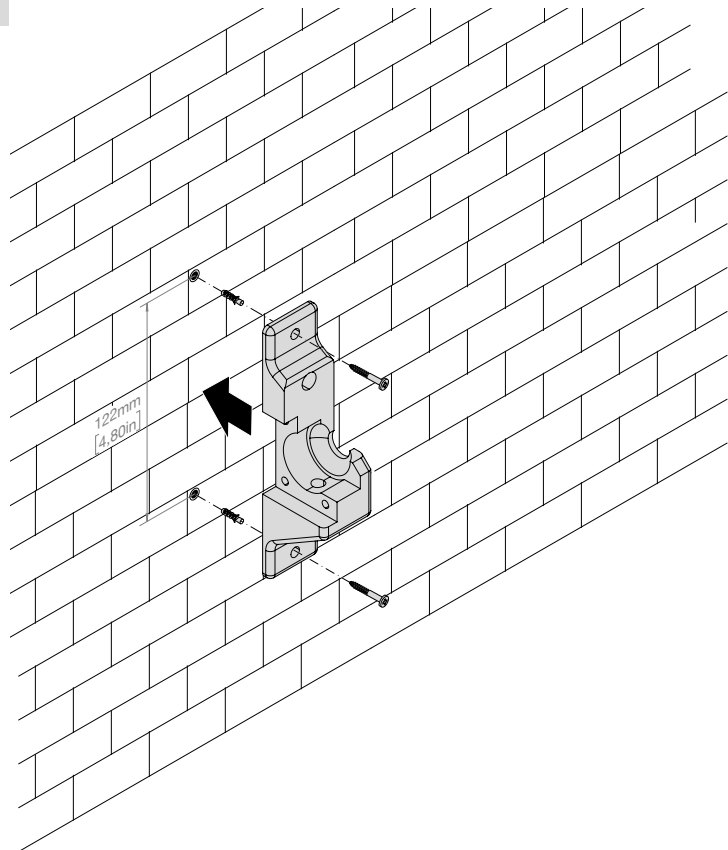
The **K-WALL2** consists of:

- 2 brackets (one to be fixed to the wall and one to the speaker)
- 1 connecting arm to allow tilting and lateral adjustment
- Fixing screws for a secure and stable installation.

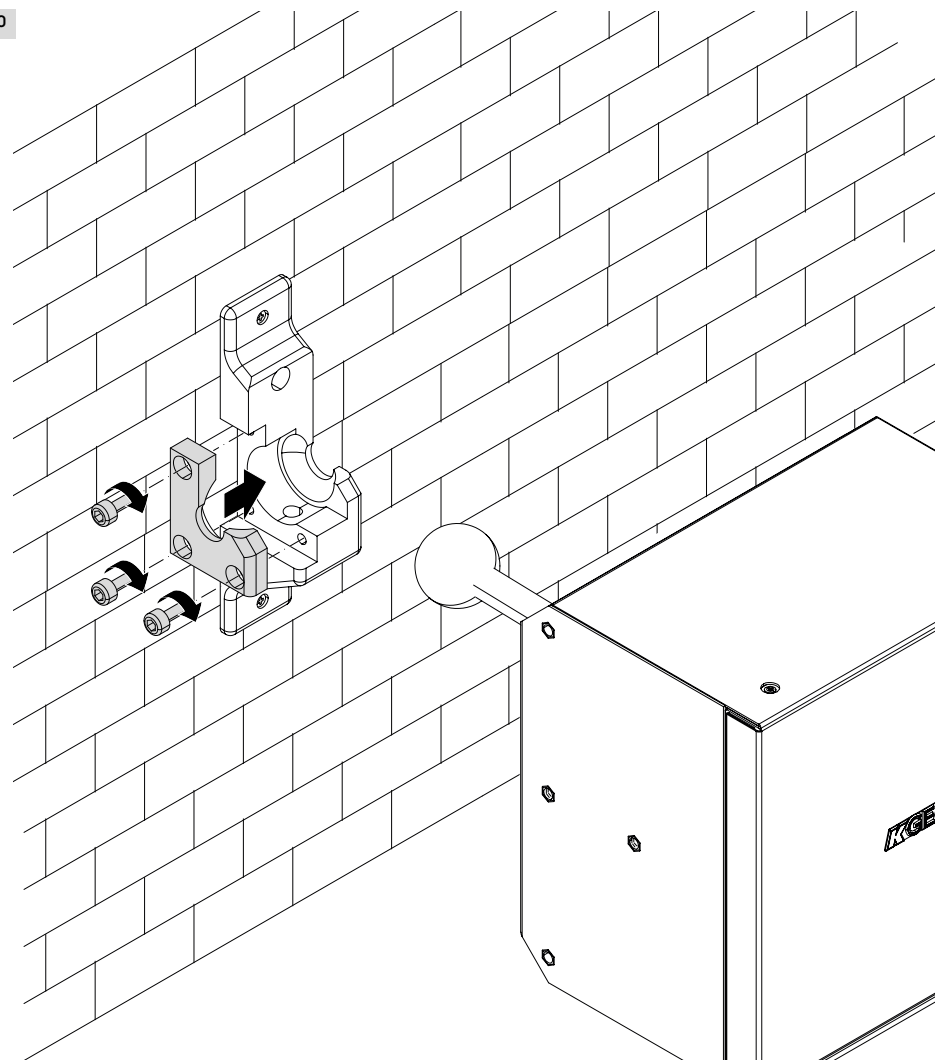
Installation on wall

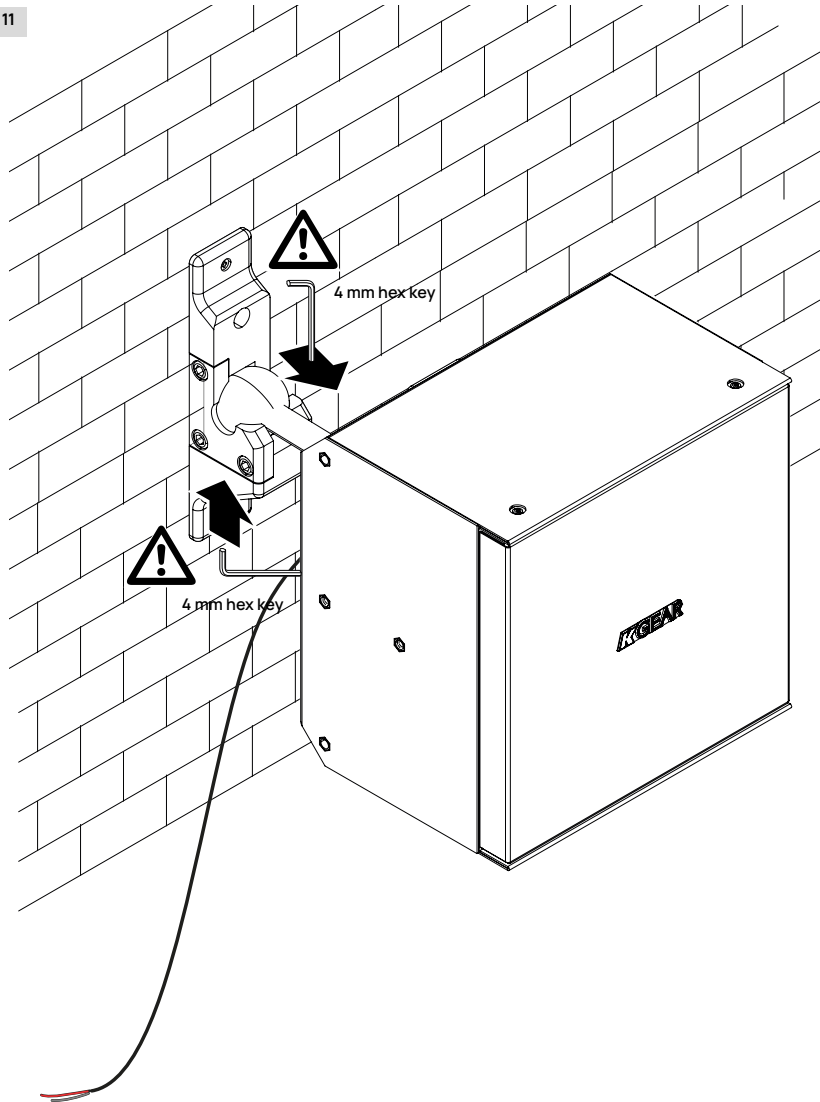


9



10



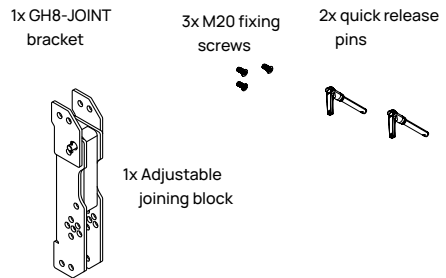
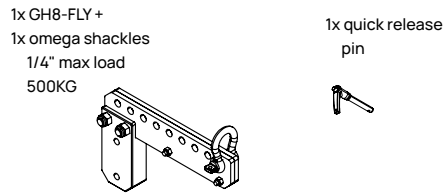


Suspending longer arrays

Kit for GH8 in array configuration GH8-FLY + GH8-JOINT

The GH8 is a modular unit that can be connected to other identical components to create extended arrays. The installation process begins by suspending the first unit using the specialized bumper hardware, which is designed to support the entire array. Once the initial unit is securely in place, additional units are connected sequentially using purpose-built joints, ensuring a stable and secure attachment while maintaining the array's suspension.

To suspend and connect different elements together and the entire array, first be sure to collect all the hardware components included in the accessory kit for **GH8-FLY** and **GH8-JOINT**:



GH8-FLY and GH8-JOINT

GH8-FLY and **GH8-JOINT** specifically designed and tested to support and suspend the weight of up to 12 consecutive units.

Connecting additional units and adjusting the GH8

Array angle - Installation procedure

- Fixing the joint bracket: - Securely fasten the GH8-JOINT bracket to the side panel of the first module using the three supplied M5x20 screws.
- Use the dedicated quick-release pin to attach the GH8-FLY to the GH8-JOINT connected to the first module.

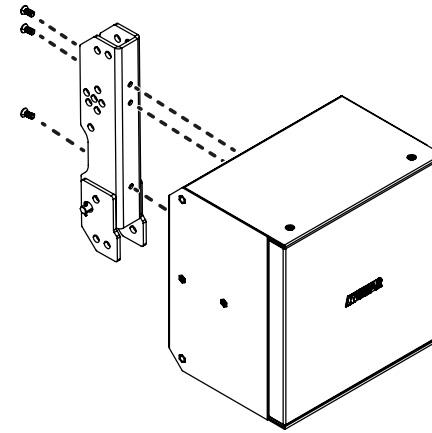
Module assembly:

- It is recommended to assemble all modules together on the ground, on a flat and stable surface, progressively connecting them through the adjustable locks and ensuring that the joints are perfectly aligned.
- Once the assembly is complete, the entire array can be suspended, making sure to comply with the limits and safety factors indicated in the manual.

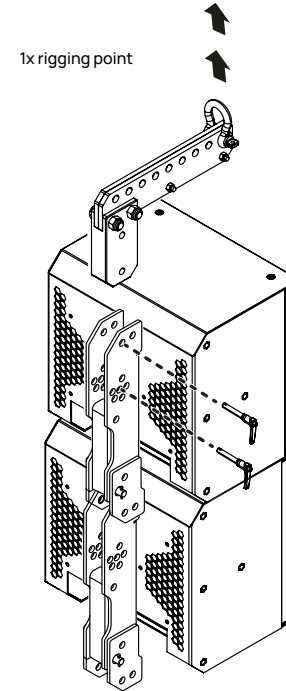
Connection procedure for each module:

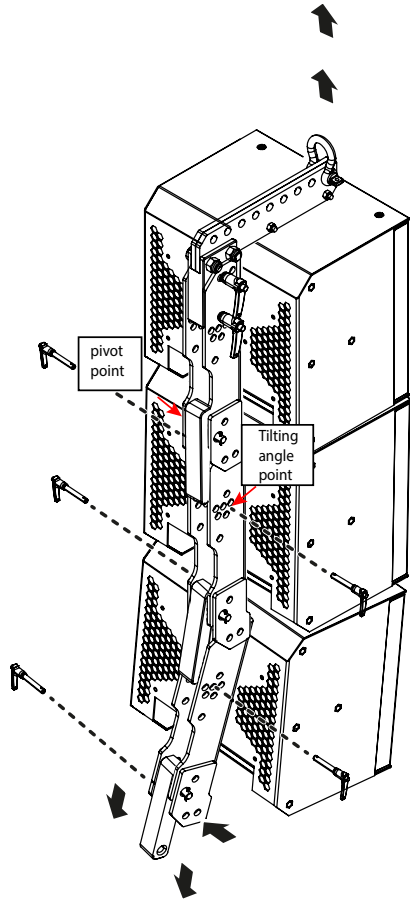
- Tilt angle adjustment: Set the desired tilt angle for each module using the adjustable lock.
- Locking tilt points: Secure the tilt points with the quick-release pins to ensure that the loudspeakers remain fixed at the desired angle.
- Inspection: Visually check that all joints are firm and that the modules are correctly aligned.

12



13





fix the quick quick release pin here to fix the GH8-FLY to GH8-JOINT

...and here

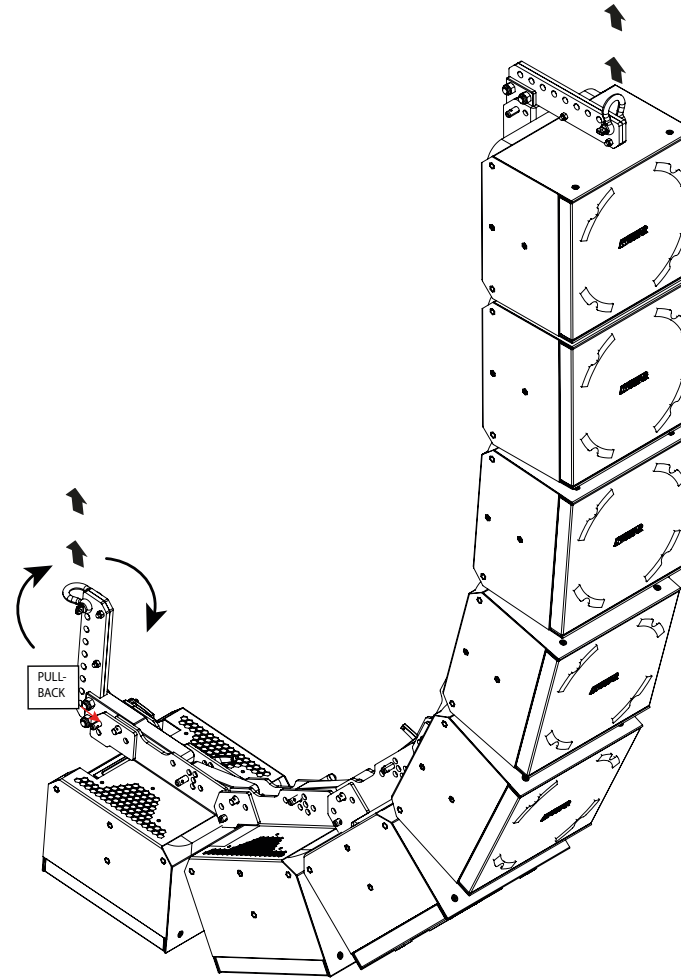
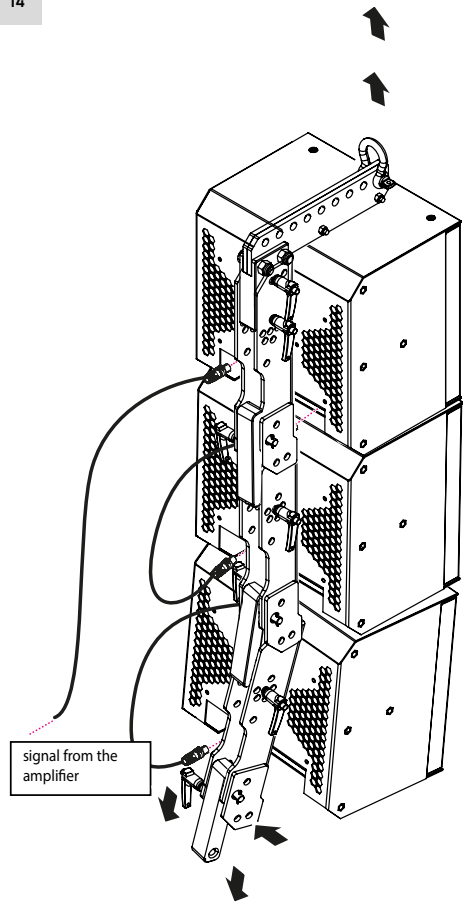


fix the quick quick release pin here to join next GH8-JOINT and GH8

fix the quick quick release pin here to join next GH8-JOINT and GH8 for down-tilt array configuration

GH8 UPTILT ARRAY CONFIGURATION

The **GH8-FLY** can be mounted to the last element of the array, providing an additional rigging point on the back for enhanced flexibility. By securing the joint pin to the pull-back point marked on the silkscreen, the array can be lifted while enabling downward tilting of the loudspeakers. This configuration is particularly effective for setups that need to cover both elevated areas, such as bleachers or side sections, and downward areas closer to the stage.

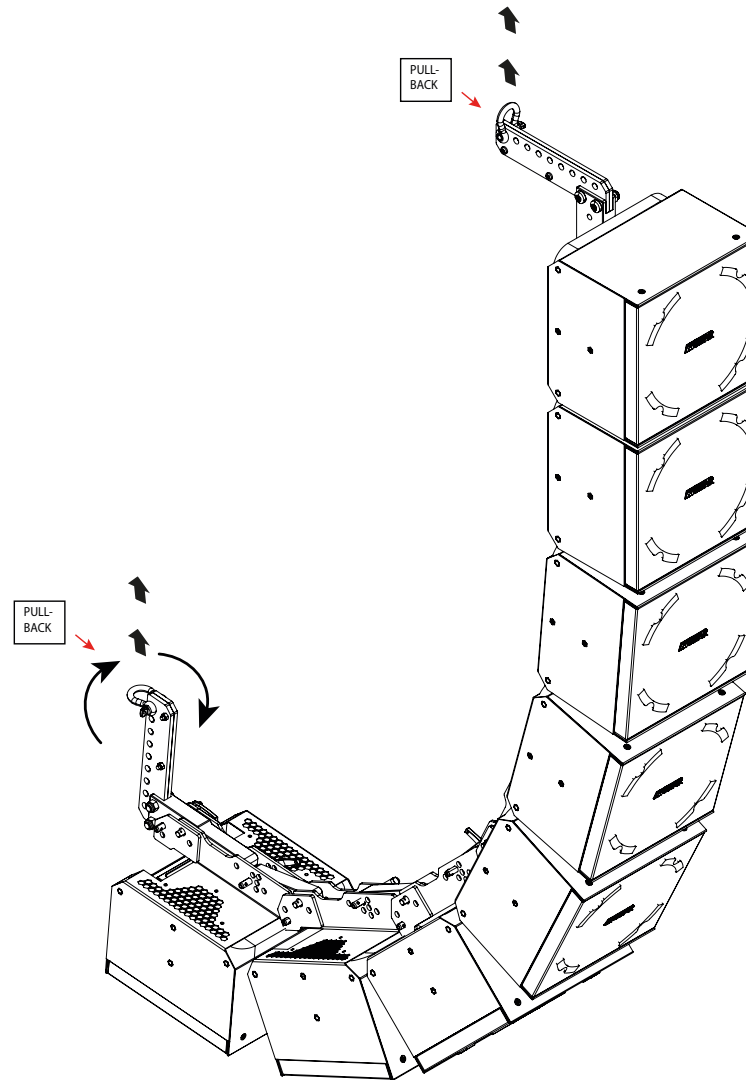


GH8 - GH8M

The **GH8-FLY** can be installed rotated by 180° (flipped) on the first element of the array. This reversed installation creates a rear rigging point, which can then be used as a pull-back point.

A pull back point It provides additional control to tilt the array backward, ensuring the sound dispersion matches the venue's requirements.

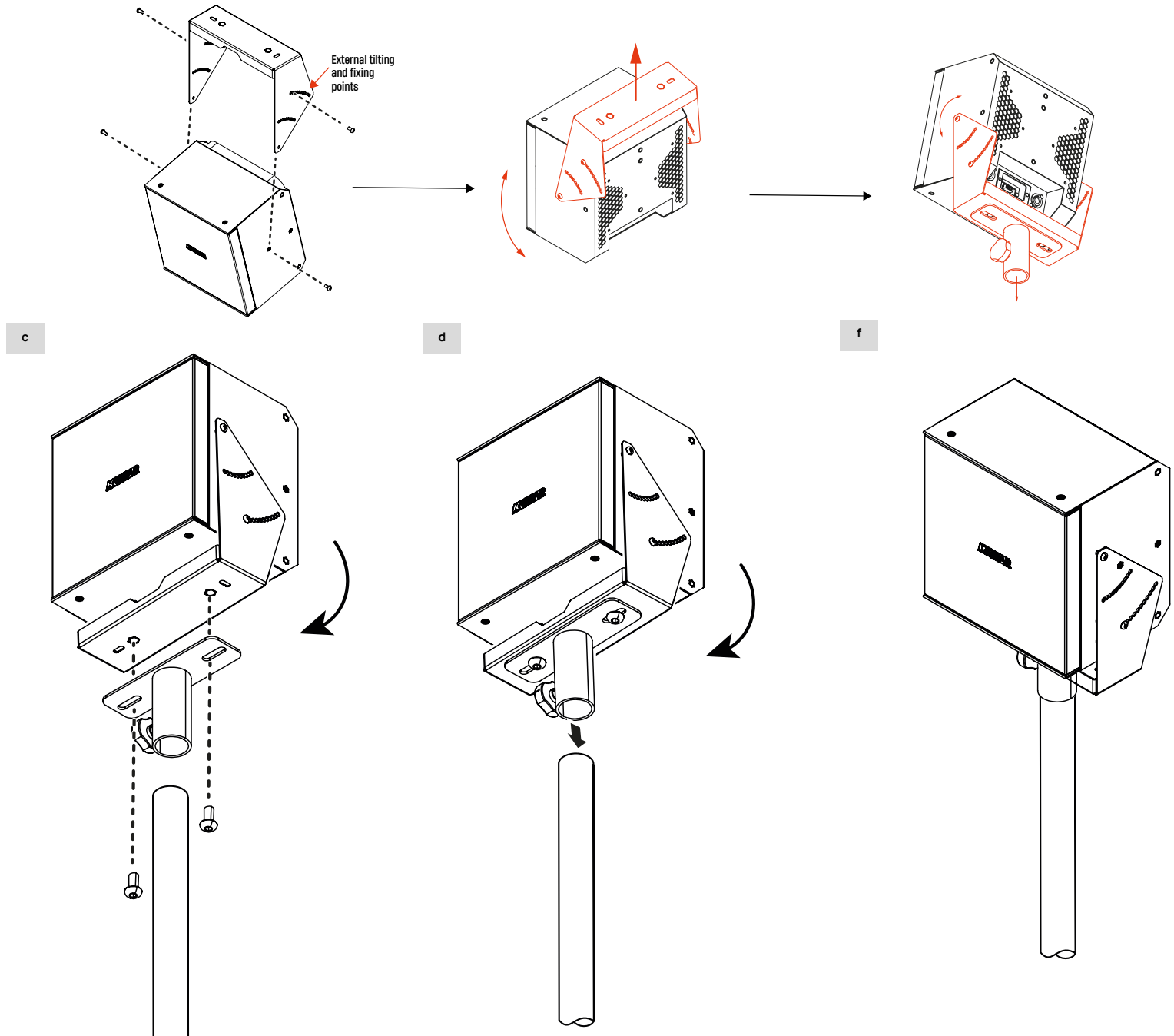
It helps stabilize the array by applying tension from the rear, especially in scenarios where the array needs to compensate for specific mounting constraints.



Standard Pole Mounting

GH8-WALL + Standard pole mounting flange

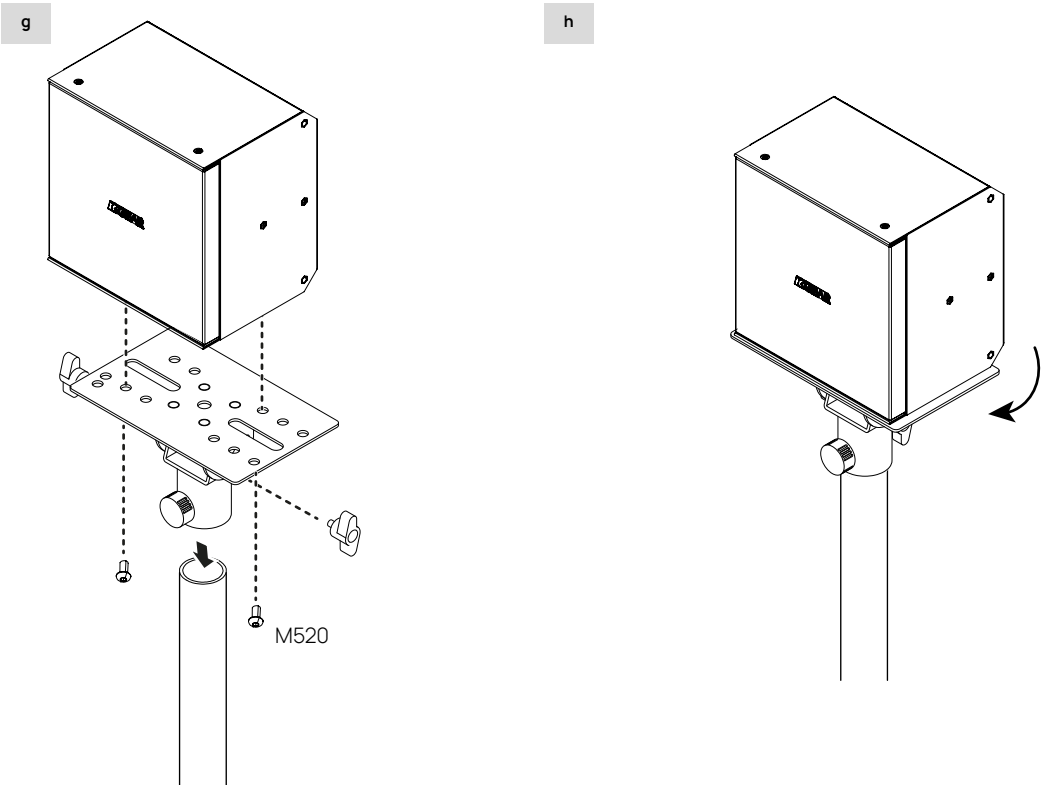
The GH8 with GH8-WALL bracket can be easily installed on any standard commercial pole mounting flange, thanks to its bracket with standardized spacing holes, ensuring compatibility with commercial-grade flanges



Dedicated Pole mounting

G-POLEMOUNT1

The G-POLEMOUNT1 is an accessory designed for mounting the GH8 speaker on a standard pole, allowing for an adjustable tilt of +90° to -90°.



GH8 - GH8M

GH8M - Marine version

The GH8M is also available in a Marine version, specifically treated to resist prolonged exposure to salty environments and ensure long-term durability.



The loudspeaker is supplied with a factory-installed nickel-plated brass cable gland and a pre-installed marine-grade cable with conductors marked as COLD- (black-) and HOT+ (red+). Connect the loudspeaker by wiring the conductors to the amplifier terminals.

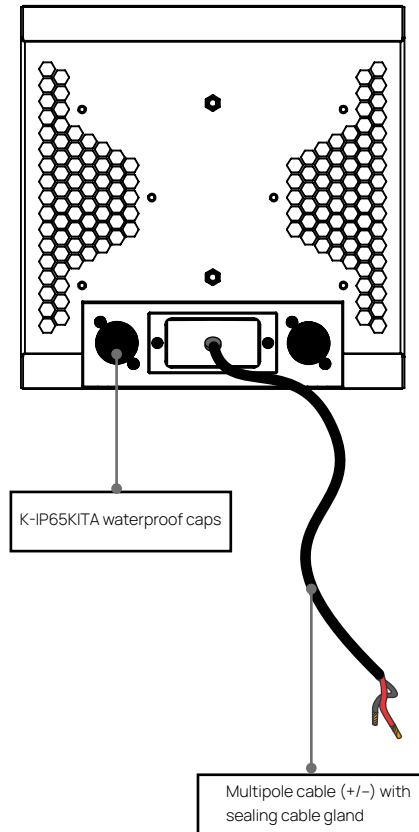
This configuration:

- ensures proper input isolation,
- provides protection against water ingress,
- simplifies wiring in confined spaces,
- guarantees IP65-rated protection.


In addition, the K-IP65KITA accessory is included, consisting of two dedicated caps to seal the rear panel speakON connectors when not in use, ensuring full waterproof protection.

Note: Make sure the cable gland remains properly tightened and undamaged, and that the unused connectors are sealed with the supplied caps, to maintain maximum waterproof protection.

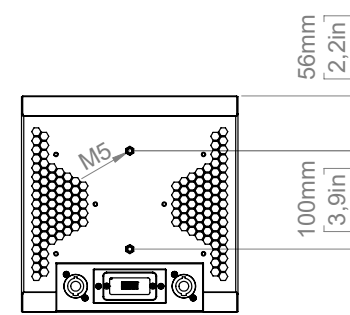
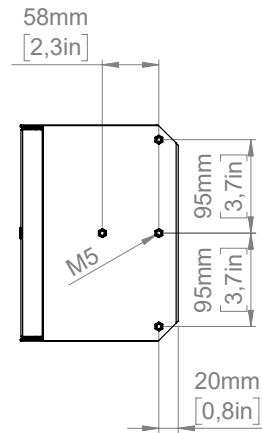
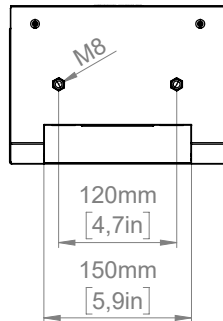
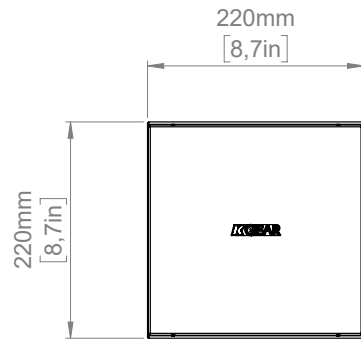
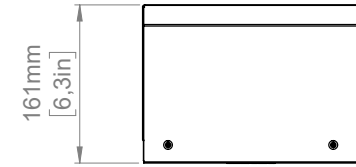
Wiring - 16 Ω					
Red		HOT	+	Amplifier	+
Black		COLD	-	channel	-



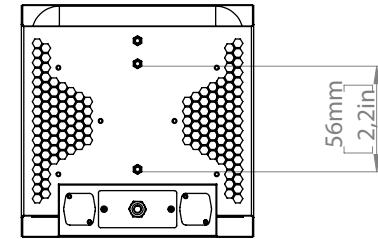
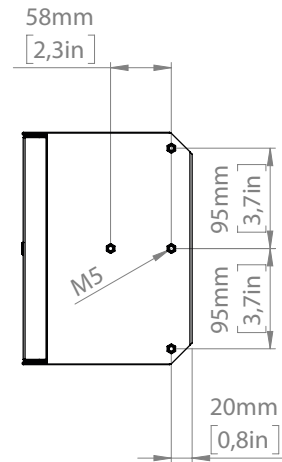
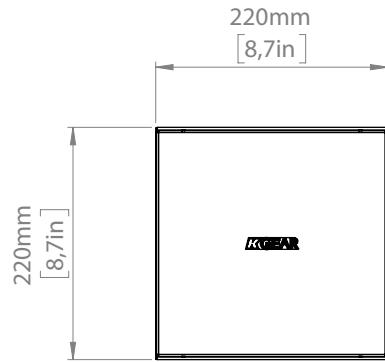
SIGNAL FROM AMPLIFIER CHANNEL - wiring (COLD)- (HOT) + to the dedicated amplifier channel and match the 16 Ω impedance value of the speaker.


Respect polarity when wiring.
Connect HOT+ (red +) to the amplifier positive and COLD- (black -) to the negative terminal.

Mechanical Drawings - GH8

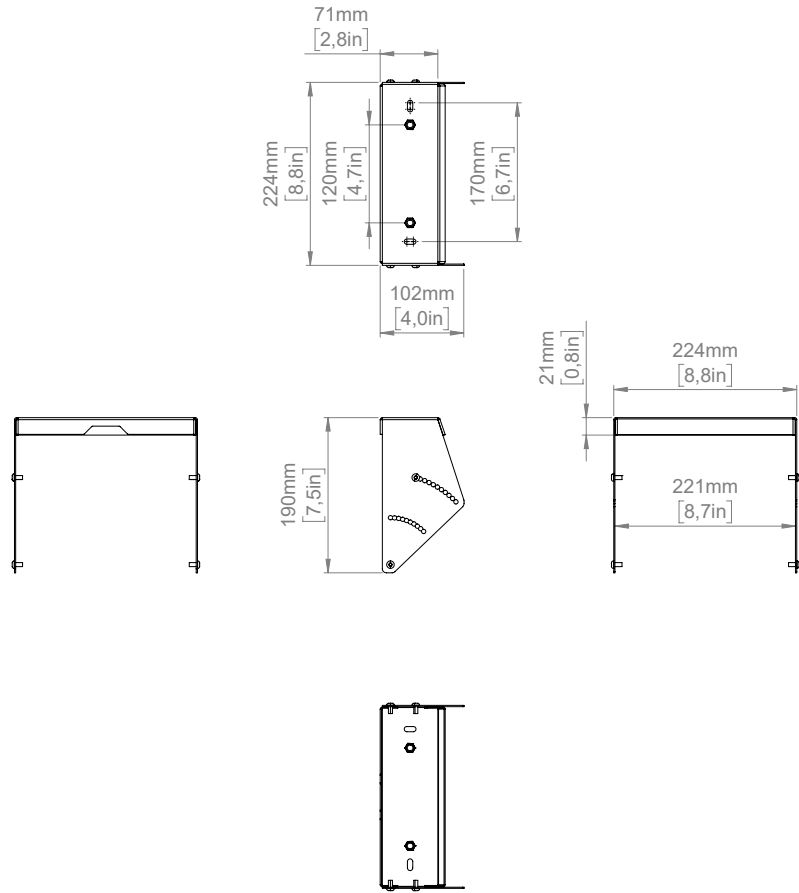


Mechanical Drawings - GH8M

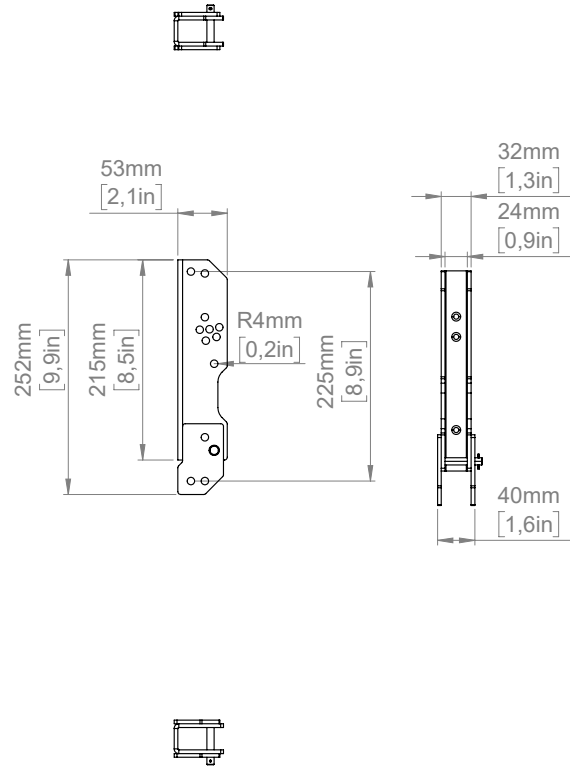


GH8 - GH8M

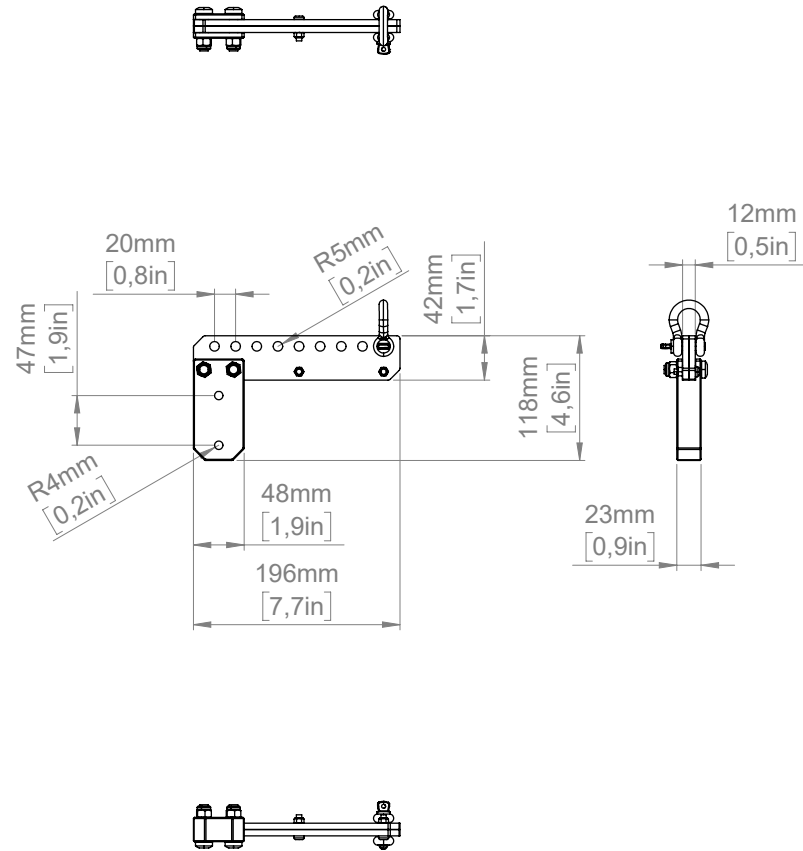
GH8-WALL



GH8-JOINT



GH8-FLY



IMPORTANT SAFETY INSTRUCTIONS

CAUTION

RISK OF ELECTRIC SHOCK
DO NOT OPEN

ATTENTION: RISQUE DE CHOC ELECTRIQUE NE PAS OUVRIR

CAUTION: TO REDUCE THE RISK OF ELECTRIC SHOCK,
DO NOT REMOVE COVER (OR BACK).
NO USER-SERVICEABLE PARTS INSIDE.
REFER SERVICING TO QUALIFIED SERVICE PERSONNEL.



This symbol alerts the user to the presence of recommendations about the product's use and maintenance.



The lighting flash with arrowhead symbol within an equilateral triangle is intended to alert the user to the presence of uninsulated, dangerous voltage within the product enclosure that may be of magnitude to constitute a risk of electrical shock.



The exclamation point within an equilateral triangle is intended to alert the user to the presence of important operating and maintenance (servicing) instructions in this guide.



Operator's manual; operating instructions
This symbol identifies the operator's manual that relates to the operating instructions and indicates that the operating instructions should be considered when operating the device or control close to where the symbol is placed.



For indoor use only
This electrical equipment is designed primarily for indoor use.



WEEE
Please dispose of this product at the end of its operational lifetime by bringing it to your local collection point or recycling center for such equipment.



This device complies with Restriction of Hazardous Substances Directive.



Warning. Failure to follow these safety instructions could result in fire, shock or other injury or damage to the device or other property.

General heed and warnings

- Read these instructions.
- Keep these instructions.
- Heed all warnings.
- Follow all instructions.
- Do not use this apparatus near water.
- Clean only with dry cloth.
- Do not block any ventilation openings. Install in accordance with the manufacturer's instructions.
- Do not install near any heat sources such as radiators, heat registers, stoves, or other apparatus (including amplifiers) that produce heat.
- Only use attachments/accessories specified by the manufacturer.
- Clean the product only with a soft and dry fabric. Never use liquid cleaning products, as this may damage the products cosmetic surfaces.
- Use only with the cart, stand, tripod, bracket, or table specified by the manufacturer, or sold with the apparatus. When a cart is used, use caution when moving the cart/apparatus combination to avoid injury from tip-over.
- Unplug this apparatus during lightning storms or when unused for long periods of time.
- Refer all servicing to qualified service personnel. Servicing is required when the apparatus has been damaged in any way, such as power-supply cord or plug is damaged, liquid has been spilled or objects have fallen into the apparatus, the apparatus has been exposed to rain or moisture, does not operate normally, or has been dropped.

CAUTION: These servicing instructions are for use by qualified service personnel only. To reduce the risk of electric shock, do not perform any servicing other than that contained in the operating instructions unless you are qualified to do so.

These apparatus are intended for professional use.

Installation and commissioning may only be carried out by qualified and authorized personnel.

WARNING: Only use attachments/accessories specified or provided by the manufacturer (such as the exclusive supply adapter, battery, etc.)

Use only speaker cables for connecting speakers to the speaker terminals. Be sure to observe the amplifier's rated load impedance particularly when connecting speakers in parallel. Connecting an impedance load outside the amplifier's rated range can damage the apparatus.

KGEAR will not shoulder any responsibilities for products modified without prior authorization.

Service

To obtain service:

1. Please have the serial number(s) of the unit(s) available for reference.
2. Contact the official KGEAR distributor in your country: or KGEAR headquarter at info@kgear.it. Please describe the problem clearly and completely to the Customer Service.
3. You will be contacted back for on-line servicing.
4. If the problem cannot be resolved over the phone, you may be required to send the unit in for service. In this instance, you will be provided with an RA (Return Authorization) number which should be included on all shipping documents and correspondence regarding the repair. Shipping charges are the responsibility of the purchaser.

Any attempt to modify or replace components of the device will invalidate your warranty. Service must be performed by an authorized K-array service center.

Cleaning

Use only a soft, dry cloth to clean the housing. Do not use any solvents, chemicals, or cleaning solutions containing alcohol, ammonia, or abrasives. Do not use any sprays near the product or allow liquids to spill into any openings.

Technical specifications - GH8
Type Passive loudspeaker
Transducer 8" ferrite magnet full-range dual cone transducer
Frequency Response ¹ 120 Hz - 18 kHz (-6dB)
Max SPL ² 129 dB Peak
Rated Power 300 W
Coverage V.90 H.90°
Connectors 1x Phoenix connector (4-pin Euroblock) with speaker relaunch 2x SpeakOn NL4 1+ 1- (signal) 2+ 2- (trough)
Nominal Impedance 16 Ω
IP Rating ³ IP64
Handling & Finishes
Dimensions (WxLxH) 220x 220 x 161 mm (8,7 x 8,7 x 6,3 inches)
Weight 5,8 kg (14,3 lbs)
Material Stainless Steel
Color Black

¹ With dedicated preset

² Maximum SPL is calculated using a signal with crest factor 4 (12 dB) measured at 8 m then scaled at 1 m

³ More complete water protection with GH8-IPKIT accessory (not included).

Technical specifications - GH8M
Type Passive loudspeaker with marine treatments
Transducer 8" ferrite magnet full-range dual cone transducer
Frequency Response ¹ 120 Hz - 18 kHz (-6dB)
Max SPL ² 129 dB Peak
Rated Power 300 W
Coverage V.90 H.90°
Connectors Multipole (+/-) cable with sealing cable gland 2x SpeakOn NL4 1+ 1- (signal) 2+ 2- (trough)
Nominal Impedance 16 Ω
IP Rating ³ IP65
Handling & Finishes
Dimensions (WxLxH) 220x 220 x 161 mm (8,7 x 8,7 x 6,3 inches)
Weight 5,8 kg (14,3 lbs)
Material Stainless Steel
Color Black

¹ With dedicated preset

² Maximum SPL is calculated using a signal with crest factor 4 (12 dB) measured at 8 m then scaled at 1 m

³ The K-IP65KITA kit, which includes waterproof protection caps for SpeakON NL4 connectors, is supplied with the loudspeaker.

GH8

Diffusore compatto full-range da 8" ad alte prestazioni

GH8M

Diffusore full-range da 8" ad alte prestazioni con finitura resistente agli agenti marini

Grazie per aver scelto KGEAR!

Per garantire il corretto funzionamento, ti invitiamo a leggere attentamente il presente manuale d'uso e le istruzioni di sicurezza prima di utilizzare il prodotto. Dopo la lettura, conserva il manuale per eventuali consultazioni future.

Per qualsiasi domanda sul tuo nuovo dispositivo, contatta il servizio clienti K-array all'indirizzo support@k-array.com

oppure rivolgiti al distributore locale del tuo paese.

Il GH8 è un diffusore di medie dimensioni, compatto e funzionale, che arricchisce la famiglia GH. È dotato di un altoparlante full-range dual-cone da 8", capace di offrire un suono chiaro e potente su un'ampia gamma di frequenze, anche in ambienti acusticamente difficili.

Il pattern di dispersione cardioide riduce l'emissione sonora posteriore, minimizzando la perdita di energia e il rumore residuo, raggiungendo fino a 129 dB SPL per unità.

Racchiuso in un robusto chassis in acciaio inossidabile con grado di protezione IP64, il GH8 è progettato per resistere all'uso in esterni. Integra le tecnologie Pure Array Technology (PAT) e Slim Array Technology (SAT) per una copertura sonora e prestazioni ottimizzate.

Il diffusore è dotato di 2 connettori SpeakON per ingresso e collegamento del segnale, oltre a un connettore Euroblock a 4 pin per connessioni sicure nelle installazioni fisse.

Il GH8 è ideale per eventi live, performance e installazioni fisse, offrendo grande flessibilità di configurazione e un'eccellente qualità sonora.



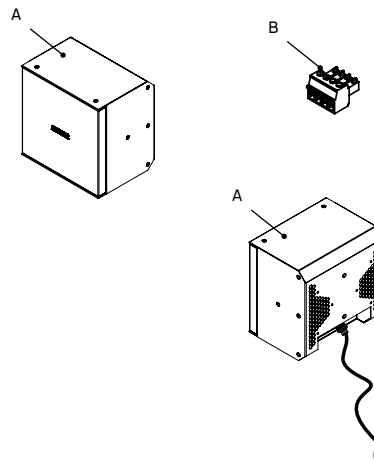
Contenuto dell'imballo

Ogni dispositivo KGEAR viene ispezionato prima di lasciare lo stabilimento.

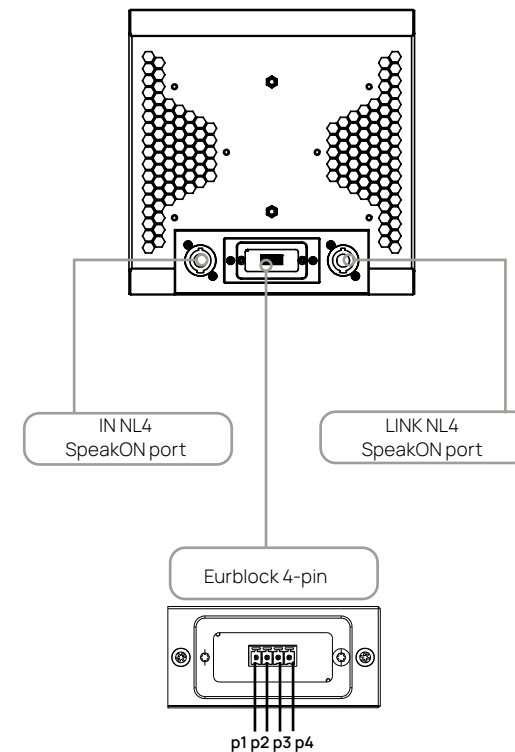
Al momento della consegna, ispeziona con attenzione l'imballo, quindi esamina e testa il nuovo dispositivo. In caso di danni, contatta immediatamente il corriere.

Verifica che il prodotto sia fornito con i seguenti componenti:

- A. 1 x GH8 / GH8M – diffusore full-range da 8"
- B. 1 x connettore altoparlante Euroblock (MC 1.5/4-ST-3.1: 1N)



GH8 pannello posteriore



Cablaggio connettori NL4 speakON

Cablaggio dei terminali dei connettori speakON

A) Terminali 1+ e 1-:

Questi terminali sono collegati internamente al trasduttore a doppio cono del GH8.

Collega l'uscita dell'amplificatore a questi terminali utilizzando un cavo speakON NL4 cablato 1+ 1-. In questo modo il diffusore GH8 verrà alimentato correttamente.

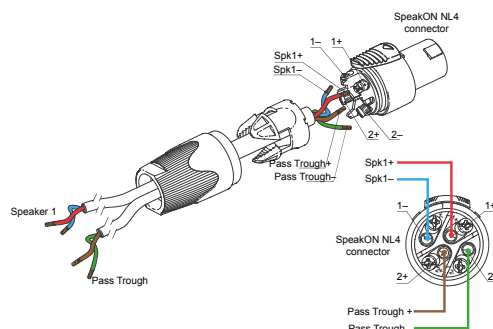
B) Terminali 2+ e 2-:

Questi terminali non sono collegati internamente, ma fungono da connessione pass-through.

Utilizzali per collegare diffusori GH8 aggiuntivi o unità simili. Collega il cavo speakON del diffusore successivo, cablato 1+ 1-, a questi terminali: in questo modo il segnale audio verrà trasferito al diffusore successivo.

Il collegamento in parallelo di più diffusori è quindi semplificato grazie alla funzione pass-through del secondo connettore NL4.

SpeakON		GH8	
A	1	1+ 1-	SIGNAL / IN
		2+ 2-	Trough / LINK OUT
B	2	1+ 1-	SIGNAL / IN
		2+ 2-	Trough / LINK OUT



Cablaggio con connettore Euroblock a 4 poli

Il diffusore GH8 è inoltre dotato di un connettore Euroblock a 4 poli, che consente un cablaggio rapido e sicuro nei sistemi di installazione fissa.

Questo connettore funziona in modo analogo ai due connettori speakON NL4.

I terminali sono assegnati come segue:

PIN1 / (1+) - terminale positivo

PIN2 / (1-) - terminale negativo

PIN3 / (1+) - terminale positivo (rilancio)

PIN4 / (1-) - terminale negativo (rilancio)

I poli PIN3 e PIN4 sono utilizzati per rilanciare il segnale verso un altro diffusore simile collegato in parallelo e alimentato dallo stesso amplificatore.

16 Ω		
PIN 1		SIGNAL + (1+)
PIN 2		SIGNAL - (1-)
PIN 3		SIGNAL + (1+)
PIN 4		SIGNAL - (1-)

Abbinamento dei canali dell'amplificatore

Dopo aver impostato correttamente il valore di impedenza del tuo sistema audio, assicurati di collegarlo all'amplificatore KGEAR o K-array più adatto. Per il collegamento in parallelo di più unità, consulta la tabella dedicata al seguente link: Tabella di abbinamento amplificatori KGEAR e diffusori KGEAR.

Ricorda che il collegamento in parallelo riduce l'impedenza totale del carico.

Assicurati quindi che l'impedenza complessiva di tutti i diffusori collegati corrisponda al valore supportato dall'amplificatore, per evitare sovraccarichi e possibili danni all'apparecchiatura.



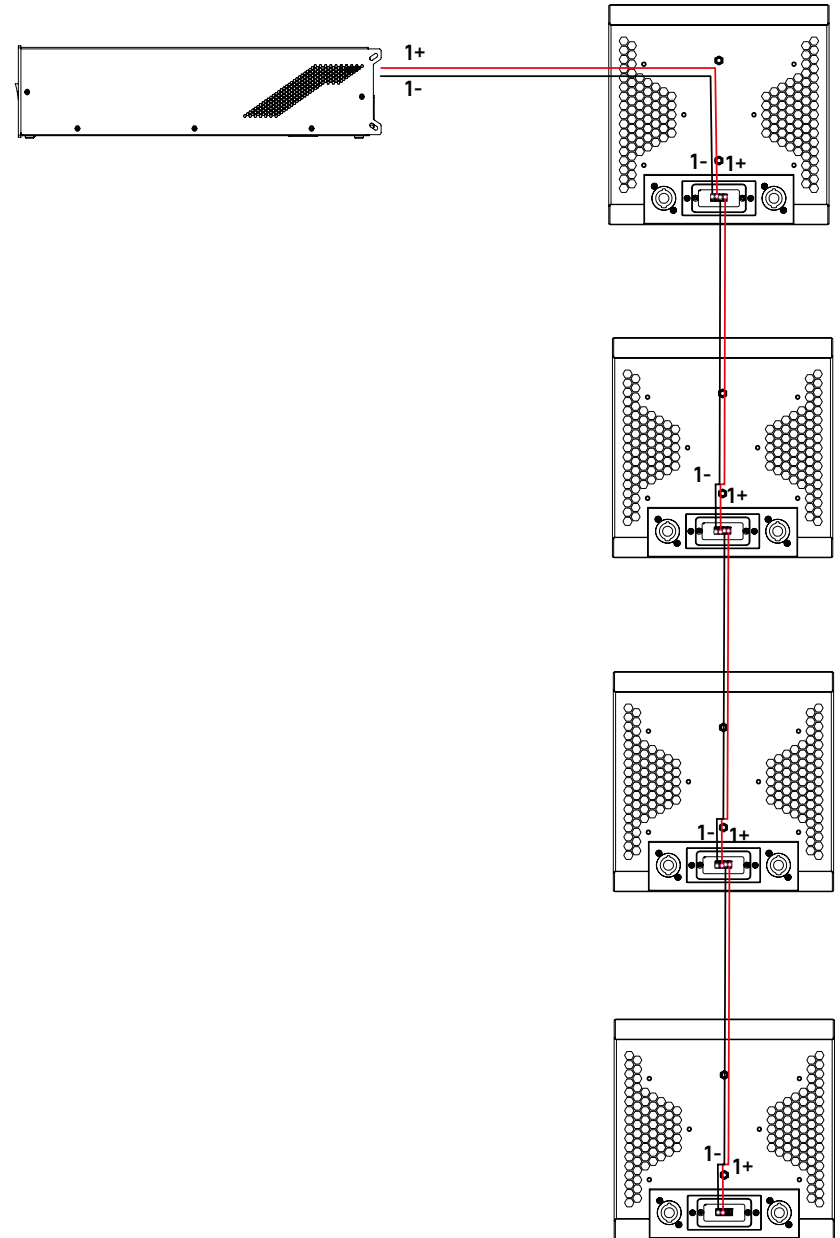
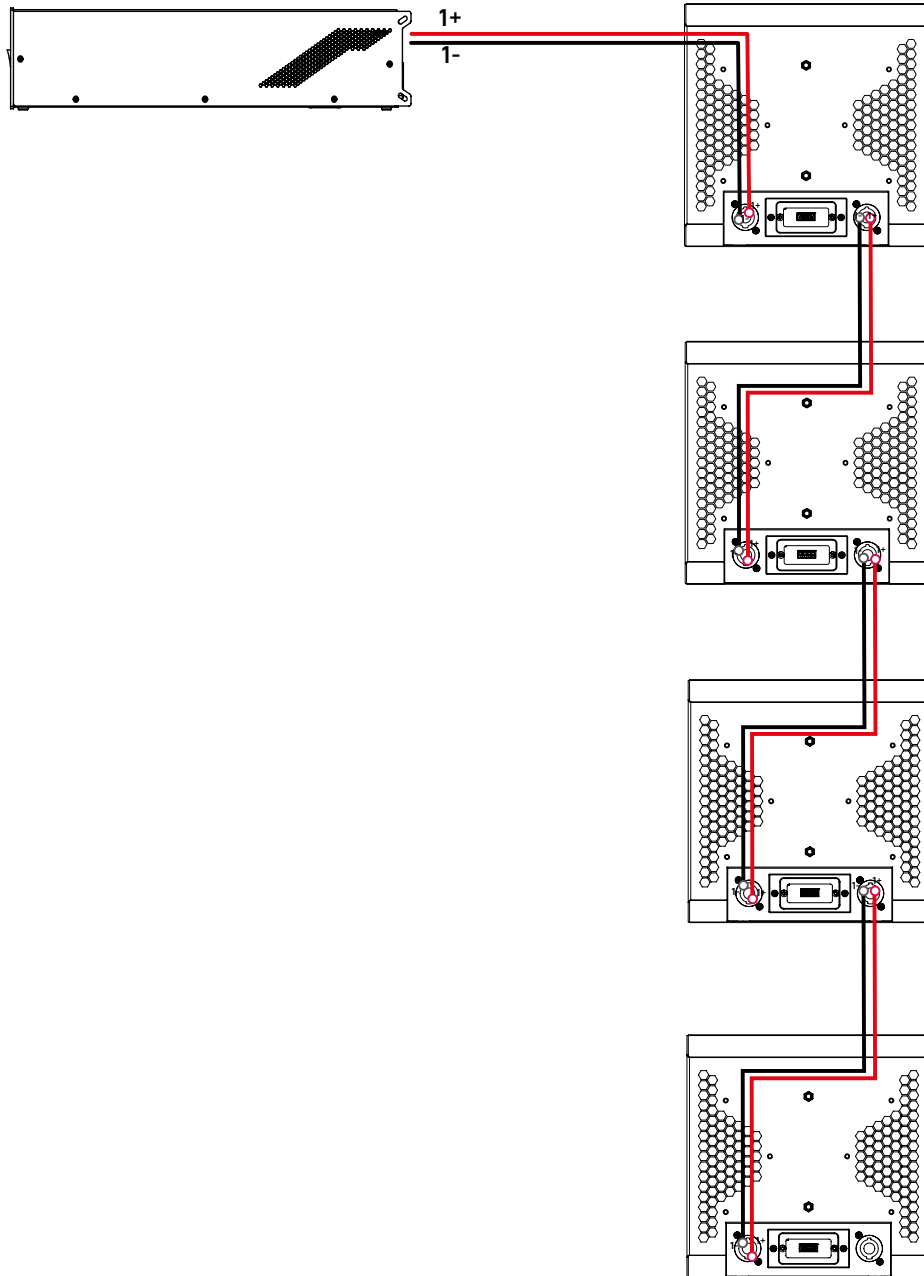
KGEAR-to-KGEAR



K-array-to-KGEAR



Verifica sempre l'impedenza del diffusore prima di collegare l'amplificatore.



Installazione a soffitto e a parete

GH8-UBRACKET mounting bracket

Il diffusore GH8 può essere installato a soffitto, a parete o a pavimento utilizzando la staffa GH8-UBRACKET.

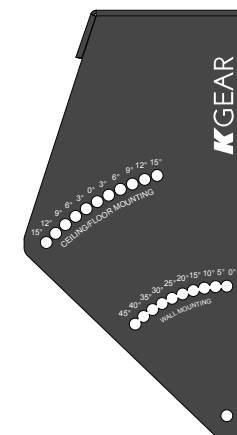
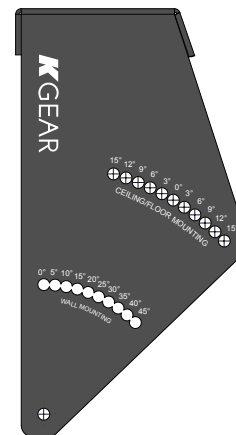
Questa staffa è progettata per offrire massima flessibilità d'installazione e dispone di fori laterali che consentono diversi angoli di inclinazione.

Tale caratteristica permette di regolare con precisione l'orientamento del diffusore in base alle esigenze dell'area di ascolto, ottimizzando la copertura acustica desiderata.

In questo modo si garantisce una diffusione sonora efficace e uniforme in diversi tipi di ambienti, soddisfacendo le specifiche esigenze di installazione e di ascolto.

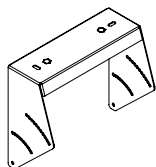
- Libertà di rotazione di 210°: movimento verso l'alto e verso il basso
- La staffa GH8-UBRACKET è dotata di due diversi punti di inclinazione.
- Fissando la staffa all'angolo desiderato utilizzando i punti più interni, si ottiene una maggiore flessibilità di regolazione.
- Suggerimento per l'installazione:
- Per il montaggio a parete o per un'orientazione verso l'alto, ruota la staffa di 180° prima di fissarla al diffusore. In questo modo sarà possibile ottenere un movimento libero verso il basso.
- Installazione con orientamento verso l'alto:
- In un contesto teatrale, posizionare i diffusori orientati verso l'alto sul balcone è una soluzione ideale per coprire le aree di seduta più alte, garantendo che il suono raggiunga tutti gli ascoltatori senza ostruire la visuale del palco.

1



GH8-UBRACKET
1x GH8-UBRACKET

4x screws

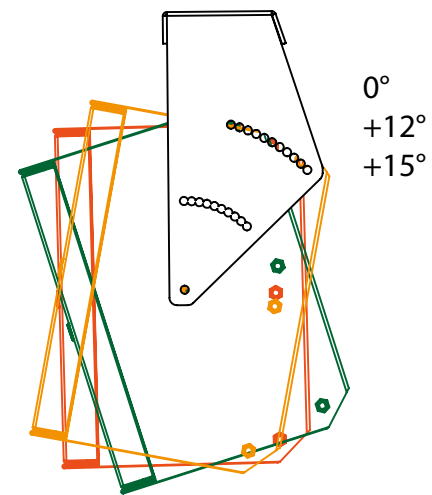
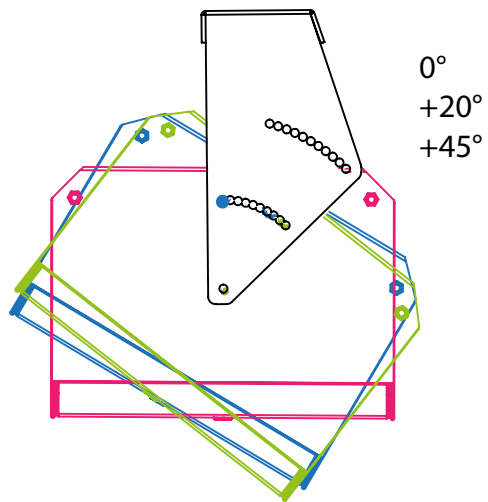
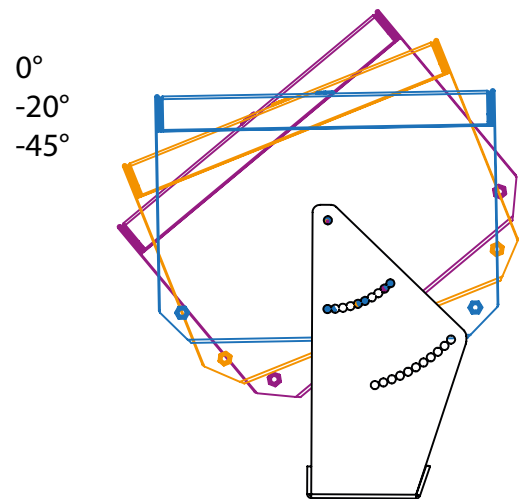
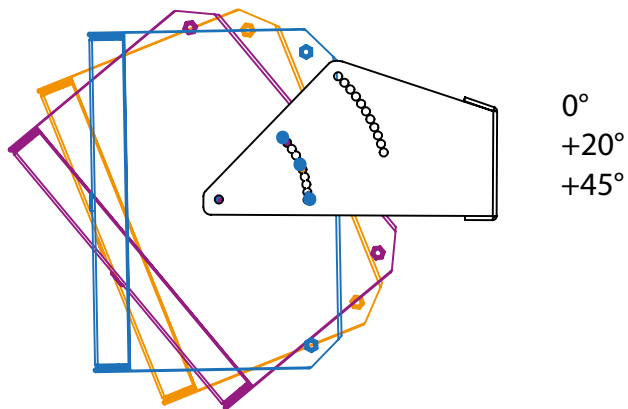
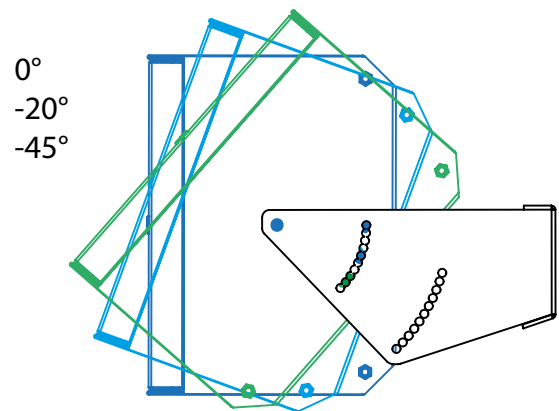


Nelle illustrazioni sono presentate diverse opzioni di inclinazione e rotazione della staffa.

Questo sistema offre numerose combinazioni, adattabili a differenti applicazioni e aree di copertura.

I vari angoli di regolazione sono chiaramente indicati sulla serigrafia della staffa, fornendo punti di riferimento precisi per ottenere il posizionamento desiderato.

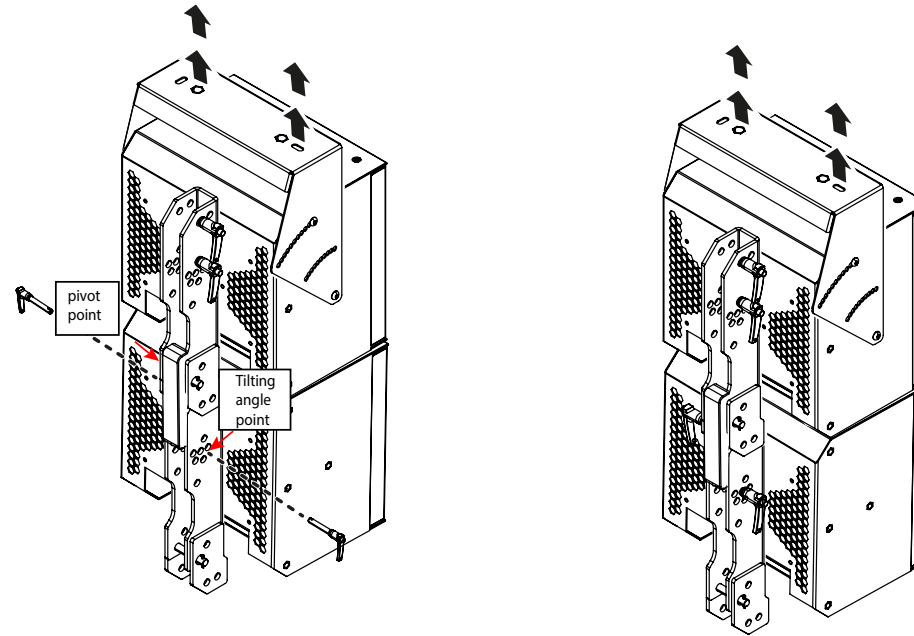
Ti invitiamo a esplorare tutte le possibili configurazioni, anche quelle non illustrate nel manuale, sia per installazioni a parete che a soffitto, così da garantire massima flessibilità e prestazioni ottimali in base alle esigenze specifiche di ogni progetto.



Configurazione mini-array

La staffa GH8-UBRACKET consente l'installazione a soffitto o a pavimento di fino a due unità GH8 collegate tra loro mediante 2 connettori GH8-JOINT.

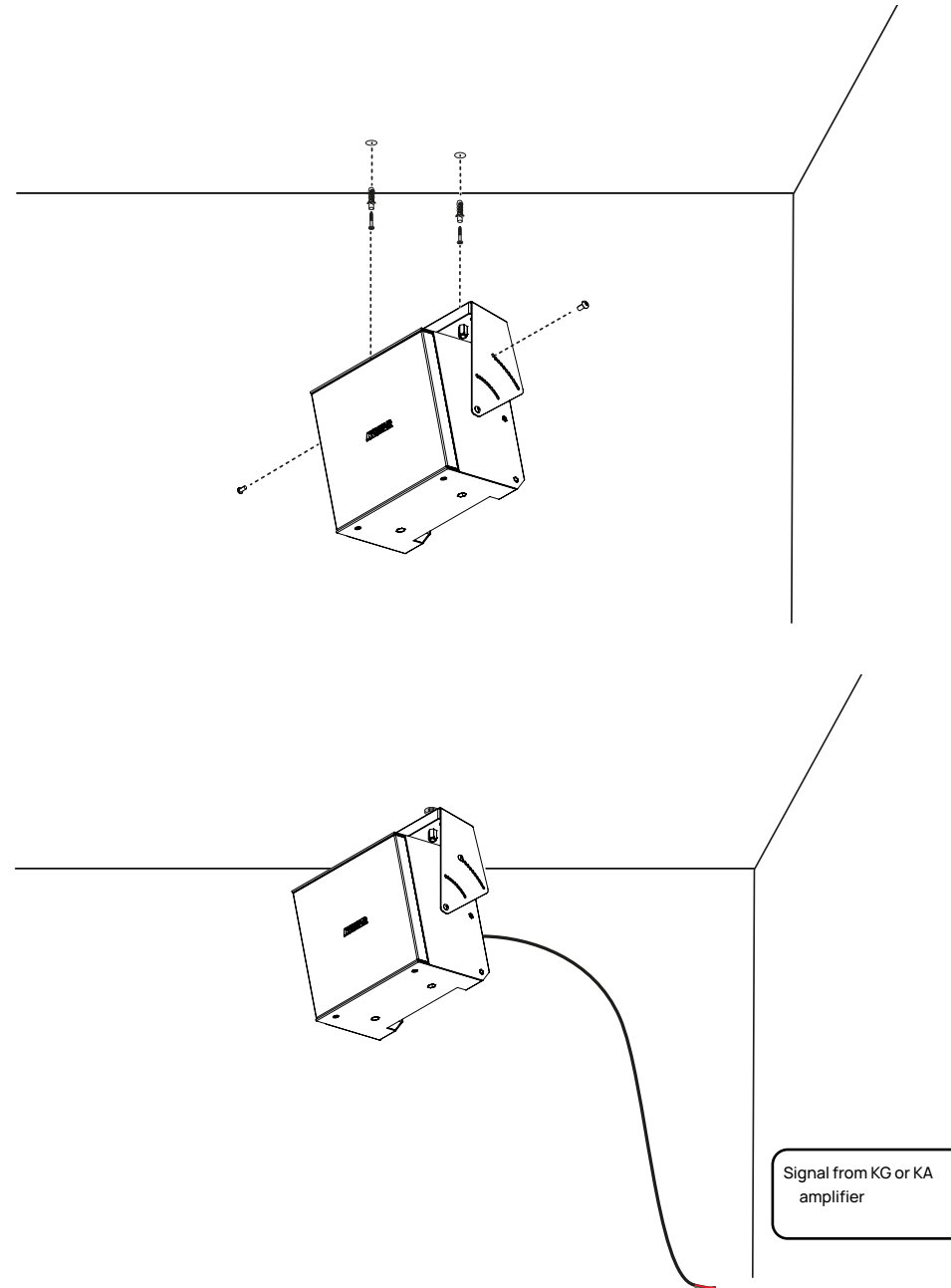
Questa configurazione permette di realizzare piccoli array, facilmente distribuibili all'interno dell'ambiente, senza la necessità di utilizzare il GH8-FLY, pensato invece per configurazioni più complesse in contesti live o da concerto.



GH8 - GH8M

Per installare il diffusore GH8 a soffitto utilizzando la staffa dedicata GH8-UBRACKET, segui questi passaggi:

1. Scegli la posizione di installazione desiderata (soffitto o parete) e assicurati che la superficie sia solida e in grado di sostenere il peso del diffusore e della staffa.
2. Prepara gli strumenti necessari, come trapano, viti, tasselli e cacciavite.
3. Allinea la staffa GH8-UBRACKET ai punti di montaggio presenti sul diffusore.
4. Fissa la staffa al diffusore utilizzando 2 delle 4 viti incluse, avvitandole nei fori di montaggio laterali. I fori di orientamento devono rimanere liberi in questa fase.
5. Posiziona il diffusore (con la staffa già fissata) nella posizione desiderata contro la parete o il soffitto.
6. Con una matita, segna i punti di foratura attraverso i fori di montaggio della staffa sulla superficie di installazione.
7. Esegui i fori nei punti precedentemente segnati.
8. Inserisci i tasselli, se necessario, soprattutto per installazioni su pareti in cartongesso o a soffitto, per garantire una maggiore stabilità.
9. Fissa la staffa (con il diffusore montato) utilizzando le viti. Non stringere completamente le viti in questa fase, poiché sarà necessario regolare l'angolo di inclinazione.
10. Una volta montato il diffusore a soffitto o a parete, stringi le viti dei fori di orientamento: in questo modo potrai regolare l'angolazione del diffusore direttamente dal punto di ascolto.
11. Completa l'installazione collegando e cablando il diffusore all'amplificatore.



GH8 + K-WALL2LMINI

Installazione a parete – inclinazione e orientamento massimi

Il K-WALL2LMINI è una staffa miniaturizzata derivata dal modello più grande K-WALL2L di K-array™.

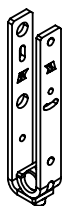
Questa staffa è progettata per l'installazione a parete o a soffitto di una sorgente audio e consente di inclinare il diffusore verso il basso fino a 90°.

Nonostante le dimensioni ridotte, il K-WALL2LMINI mantiene la piena funzionalità del modello più grande, offrendo una soluzione compatta e sicura per il montaggio dei diffusori, con la possibilità di orientare il suono verso il pubblico o verso l'area desiderata.

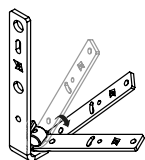
L'elemento distintivo del K-WALL2LMINI è la sua capacità di consentire un'inclinazione ancora maggiore, rendendolo adatto anche per installazioni a soffitto.

Questa flessibilità aggiuntiva lo rende una scelta ideale per una vasta gamma di configurazioni, offrendo maggiore precisione nel puntamento acustico e versatilità di montaggio in qualsiasi contesto.

1



1.1



K-WALL2LMINIM – Marine version

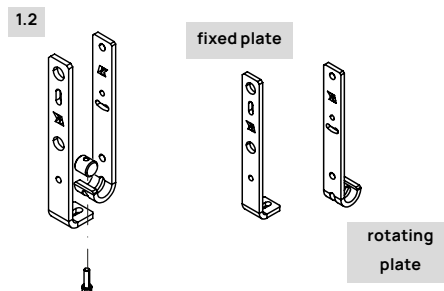
La versione marina della staffa K-WALL2LMINIM è specificamente progettata per installazioni in ambienti costieri e marini.

Realizzata con materiali resistenti alla corrosione e trattamenti superficiali protettivi, garantisce massima durabilità anche in presenza di salsedine, umidità e condizioni climatiche estreme.

Compatibile con la GH8M, maggiori informazioni sul prodotto sono disponibili a pagina 14.

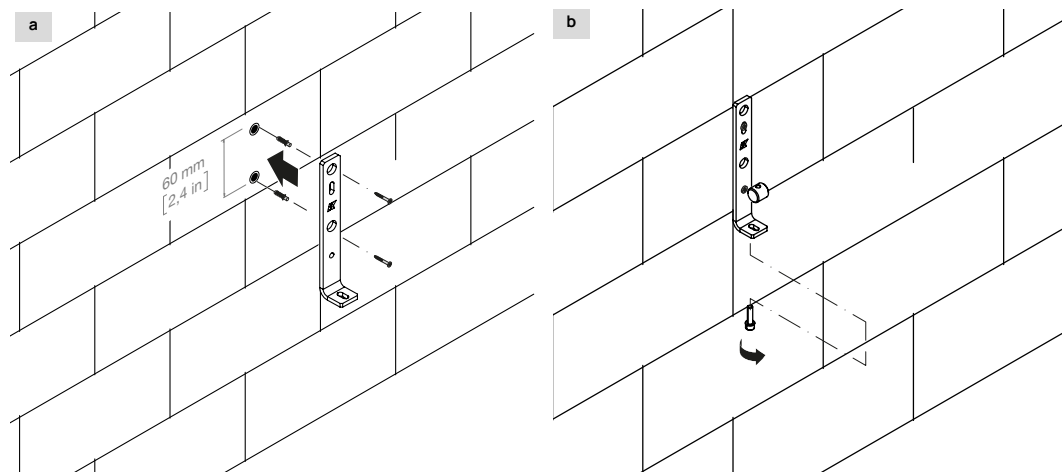
Installazione:

Per prima cosa, smonta la staffa K-WALL2LMINI rimuovendo la vite inferiore della parte che deve essere

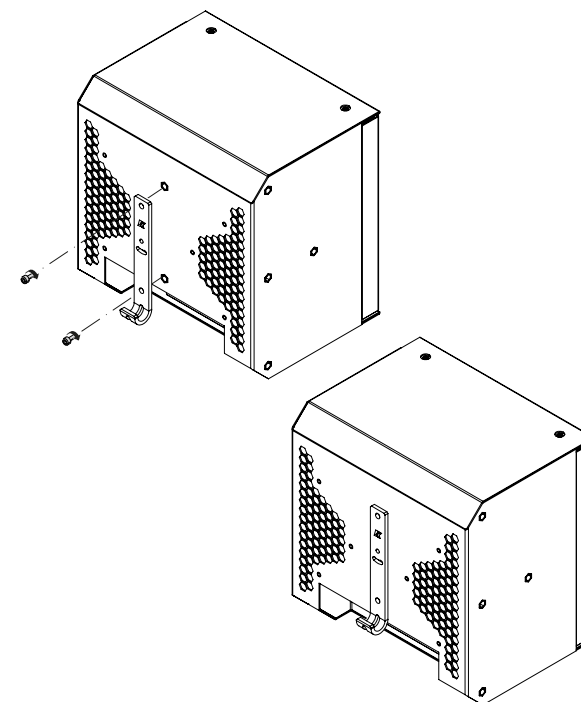


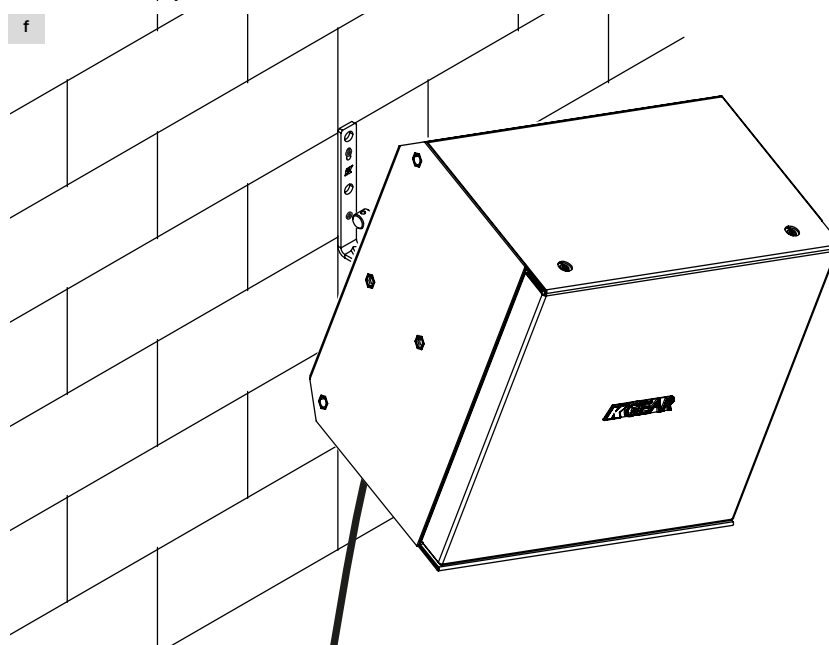
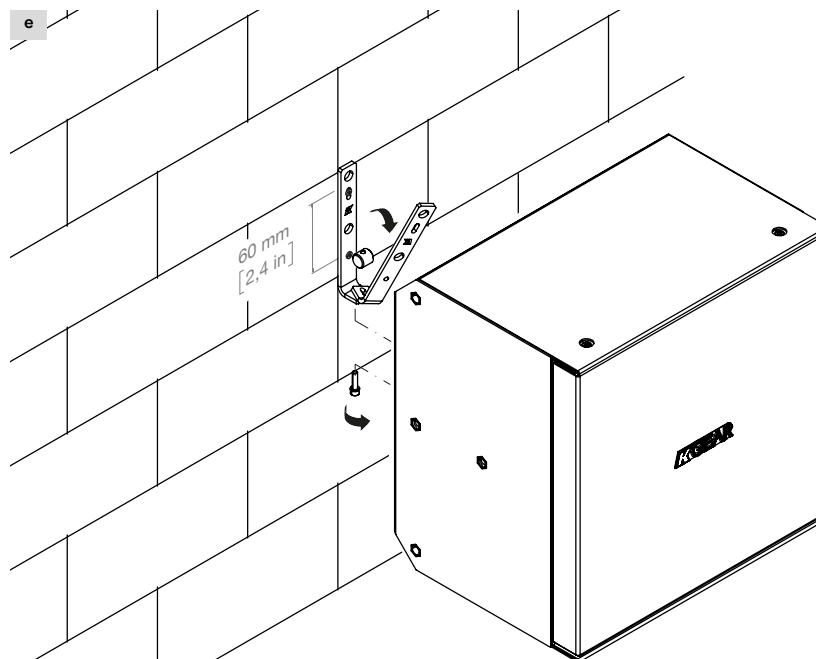
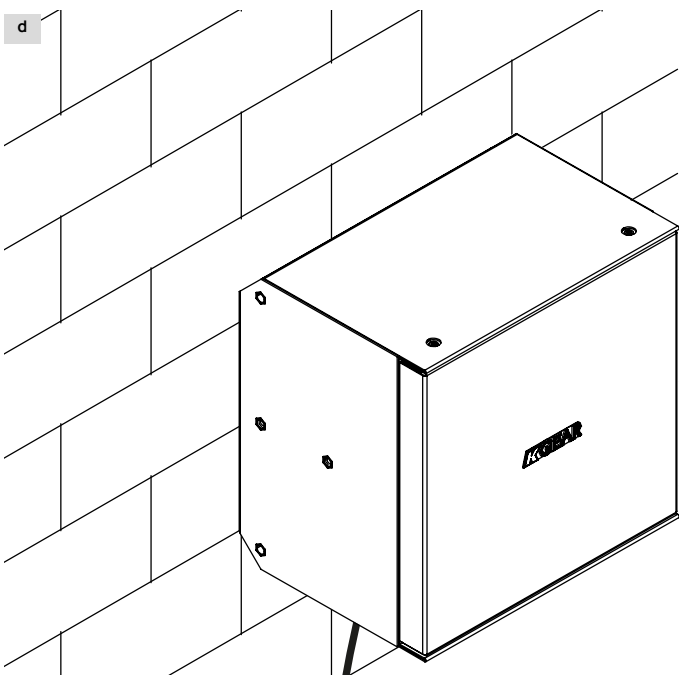
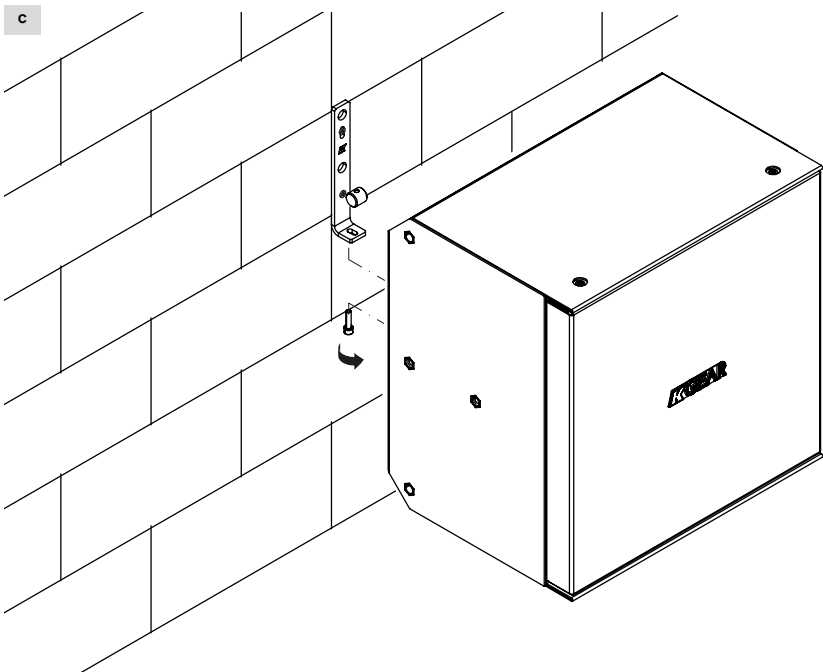
fissata alla superficie.

1. La piastra con l'estremità più piatta è quella che va montata sulla parete, fungendo da base per l'altra sezione della staffa (lato diffusore).
2. Grazie a una rondella rotante, la seconda parte della staffa consente di inclinare facilmente il diffusore fino a raggiungere l'angolo desiderato.
3. Individua la posizione ideale per l'installazione del diffusore sulla parete, tenendo conto sia dell'altezza sia della distanza rispetto all'area da coprire acusticamente.
4. Fissa la piastra alla parete utilizzando due viti e relativi tasselli, distanziati di 60 mm.
5. Dopo aver montato la piastra sulla parete, fissa l'altra piastra al diffusore utilizzando le viti di montaggio in dotazione.
6. Ricollega le due parti della staffa, quindi, se necessario, regola l'inclinazione del diffusore fino a ottenere l'orientamento desiderato.



c

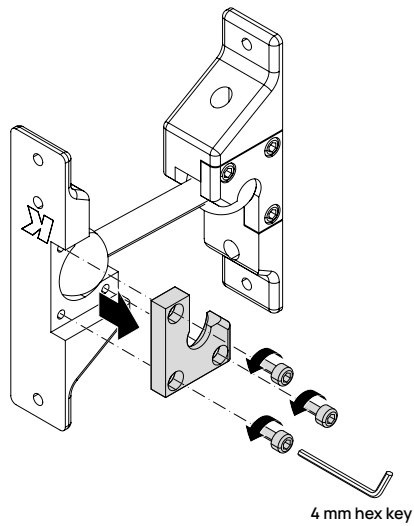




GH8 + K-WALL2

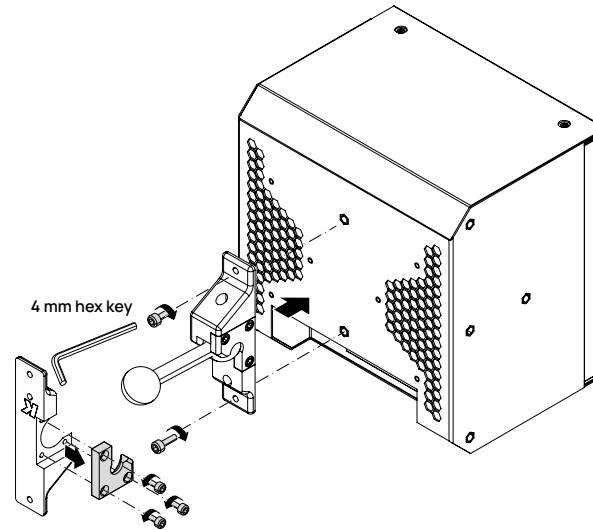
Il K-WALL2 è una staffa da parete a inclinazione variabile K-array™, progettata per fissare in modo sicuro una sorgente audio consentendo al tempo stesso un posizionamento flessibile. Questo supporto permette di inclinare il diffusore verso il basso e di regolare l'orientamento laterale, a destra o a sinistra, grazie a un braccio mobile compatto che collega la staffa fissata alla parete con quella fissata al diffusore.

- Il K-WALL2 comprende:
- 2 staffe (una da fissare alla parete e una al diffusore)
- 1 braccio di collegamento per l'inclinazione e la regolazione laterale
- Viti di fissaggio per un'installazione sicura e stabile

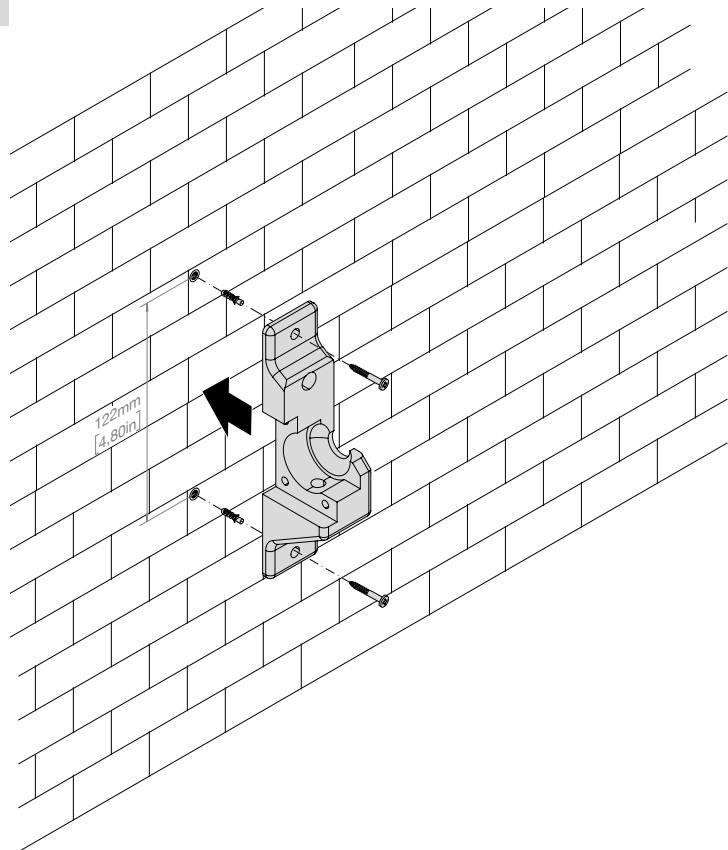


Installazione a parete.

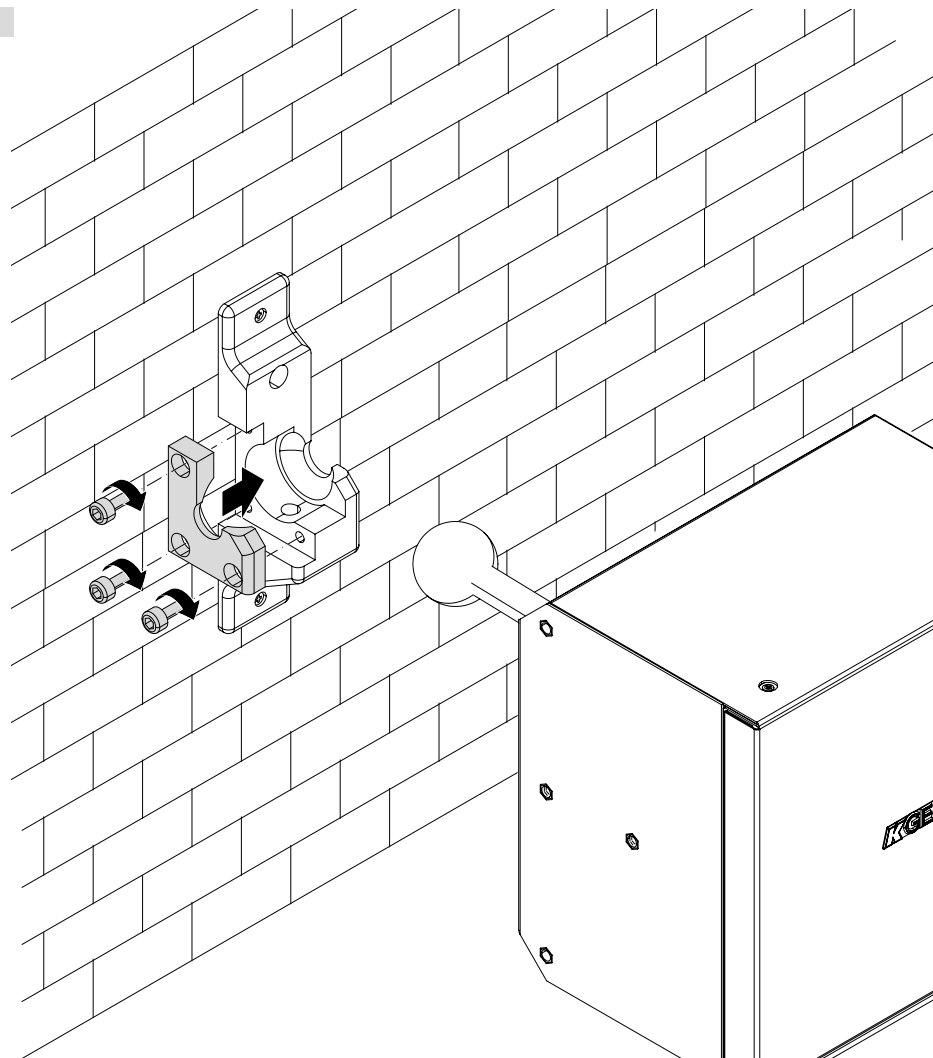
1

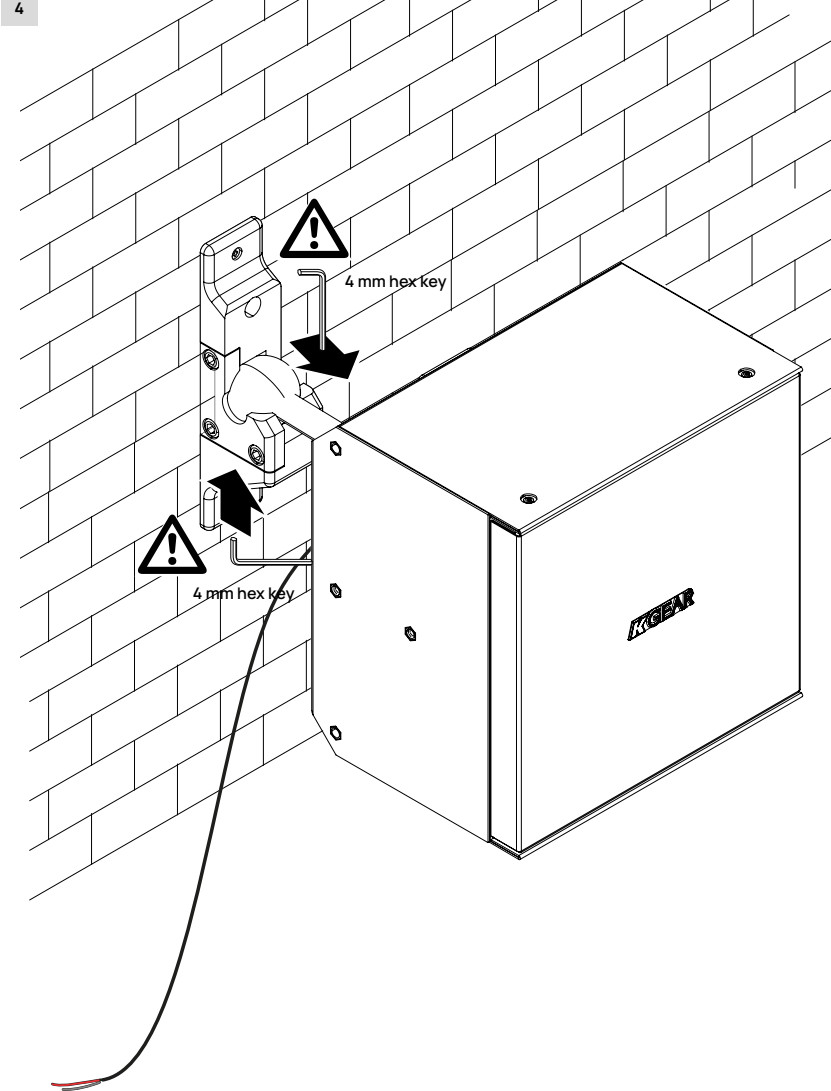


2



3





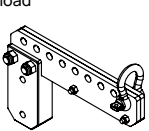
Sospensione di array più lunghi

Kit per GH8 in configurazione array GH8-FLY + GH8-JOINT

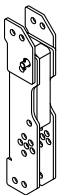
Il GH8 è un'unità modulare che può essere collegata ad altri componenti identici per creare array estesi. L'installazione inizia con la sospensione del primo modulo tramite l'apposito bumper, progettato per sostenere l'intero array. Una volta che la prima unità è fissata in modo sicuro, le unità successive vengono collegate in sequenza utilizzando giunti dedicati, garantendo un fissaggio stabile e sicuro e mantenendo la sospensione dell'array.

Per sospendere e collegare tra loro i diversi elementi e l'intero array, assicurati innanzitutto di raccogliere tutti i componenti hardware inclusi nel kit accessori per GH8 in configurazione array.

- 1x GH8-FLY + 1x omega shackles 1/4" max load 500KG
- 1x quick release pin



- 1x GH8-JOINT bracket
- 3x M20 fixing screws
- 2x quick release pins



1x Adjustable joining block



GH8-FLY e GH8-JOINT:

I **GH8-FLY** e **GH8-JOINT** sono stati specificamente progettati e testati per sostenere e sospendere il peso di fino a 12 unità consecutive.

Collegamento di unità aggiuntive e regolazione dell'angolo

GH8 Array Procedura di installazione

- Fissaggio della staffa di giunzione: Avvita saldamente la staffa GH8-JOINT al pannello laterale del primo modulo utilizzando le tre viti M5x20 in dotazione.
- Utilizza il perno a sgancio rapido dedicato per fissare il GH8-FLY alla GH8-JOINT collegata al primo modulo.

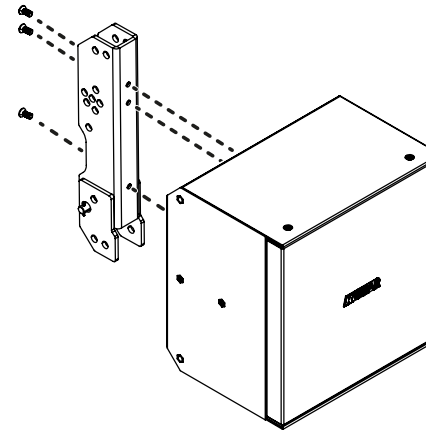
Assemblaggio dei moduli:

- È consigliabile montare tutti i moduli tra loro a terra, su una superficie piana e stabile, collegandoli progressivamente tramite i blocchi regolabili e assicurandosi che i giunti siano perfettamente allineati.
- Una volta completato l'assemblaggio, è possibile sospendere l'intero array, assicurandosi di rispettare i limiti e i fattori di sicurezza indicati nel manuale.

Procedura di collegamento per ciascun modulo:

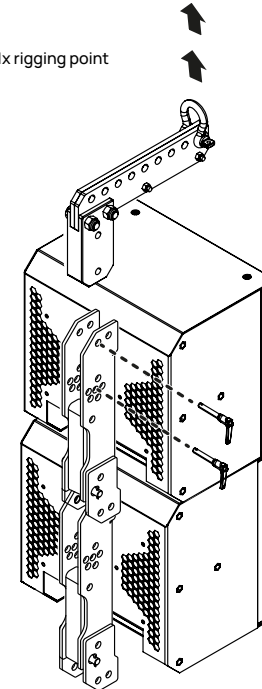
- Regolazione dell'angolo di inclinazione: Imposta l'angolo di inclinazione desiderato per ciascun modulo utilizzando il blocco regolabile.
- Blocco dei punti di inclinazione: Blocca i punti di inclinazione con i perni a sgancio rapido per garantire che i diffusori restino fissi all'angolo desiderato.
- Controllo: Verifica visivamente che tutti i giunti siano saldi e che i moduli risultino correttamente allineati.

1



2

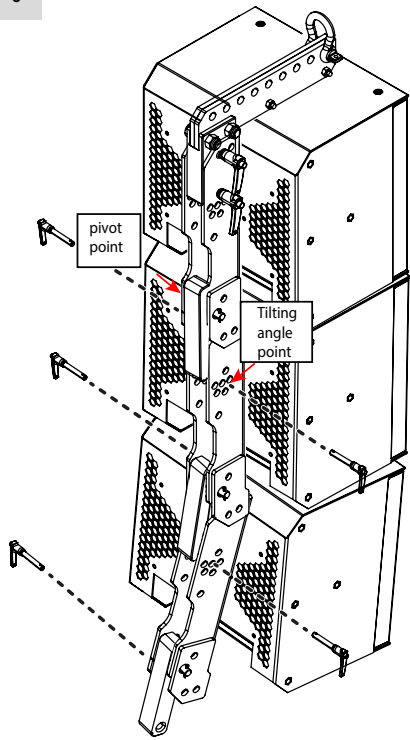
1x rigging point



- Cablaggio: Una volta completata la struttura dell'array, procedi al collegamento elettrico di tutti i moduli seguendo gli schemi forniti. Assicurati che le connessioni siano stabili e che i cavi non interferiscano con il movimento dell'array.
- Sollevamento graduale dell'array: Solleva gradualmente l'intero array fino all'altezza desiderata, verificando che ogni modulo sia ben supportato e che il sistema risulti stabile.

Rispetta i limiti relativi al numero massimo di diffusori consentiti (12 max) e utilizza solo accessori originali, per garantire il fattore di sicurezza e prevenire danni all'attrezzatura o a persone.

3



Fissa qui il perno a sgancio rapido per collegare il GH8-FLY al GH8-JOINT.

...e qui

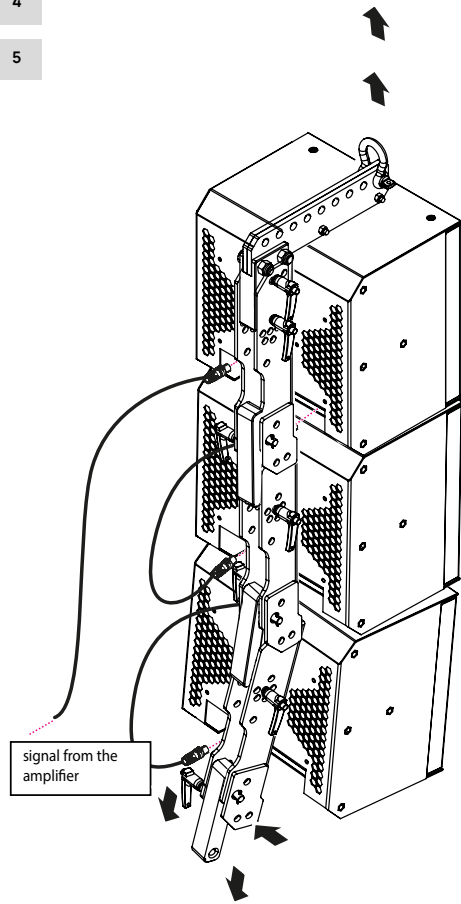


Fissa qui il perno a sgancio rapido per unire il GH8-JOINT successivo e il GH8.

Fissa qui il perno a sgancio rapido per unire il GH8-JOINT successivo e il GH8 per una configurazione dell'array con tilt verso il basso.

4

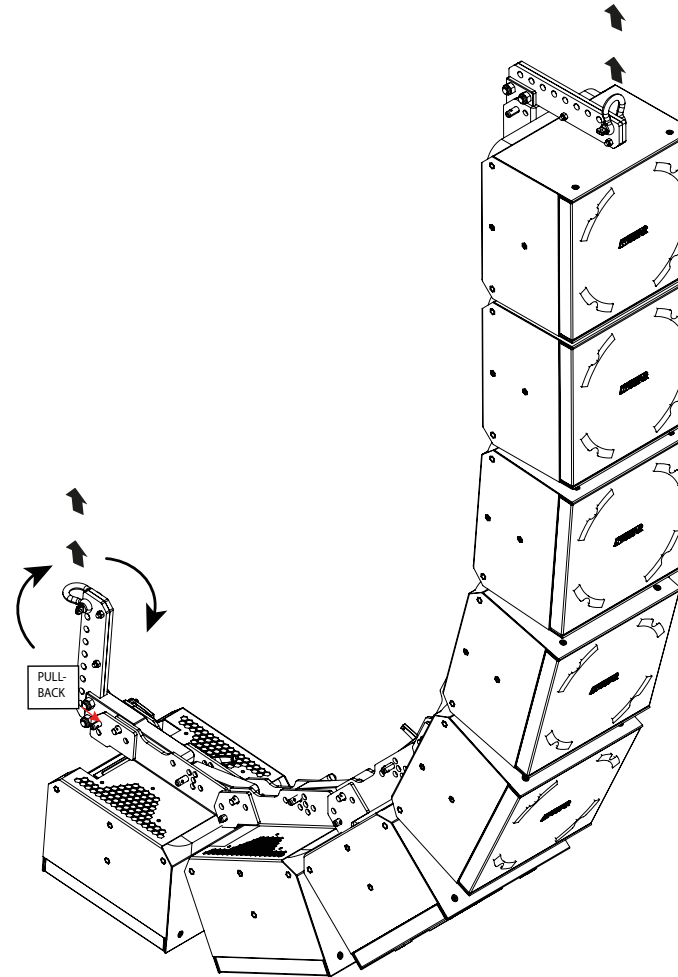
5



Configurazione GH8 UPTILT ARRAY

La GH8-FLY può essere montato sull'ultimo elemento dell'array, fornendo un punto di sospensione aggiuntivo sul retro per una maggiore flessibilità. Fissando il perno di giunzione al punto di trazione indicato sulla serigrafia, è possibile sollevare l'array consentendo al tempo stesso l'inclinazione verso il basso dei diffusori.

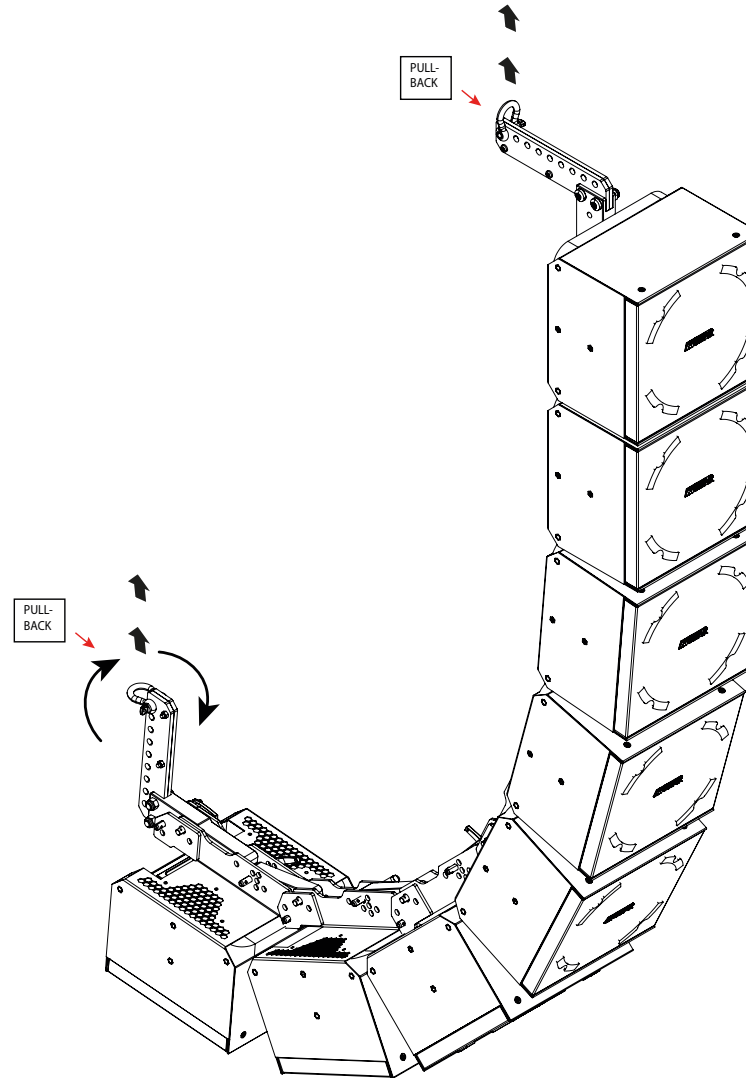
Questa configurazione risulta particolarmente efficace nelle installazioni che devono coprire sia aree rialzate (come tribune o settori laterali) sia aree più vicine al palco.



GH8 - GH8M

La GH8-FLY può essere installato ruotato di 180° (capovolto) sul primo elemento dell'array. Questa installazione inversa crea un punto di sospensione posteriore, che può essere utilizzato come punto di trazione (pull-back point).

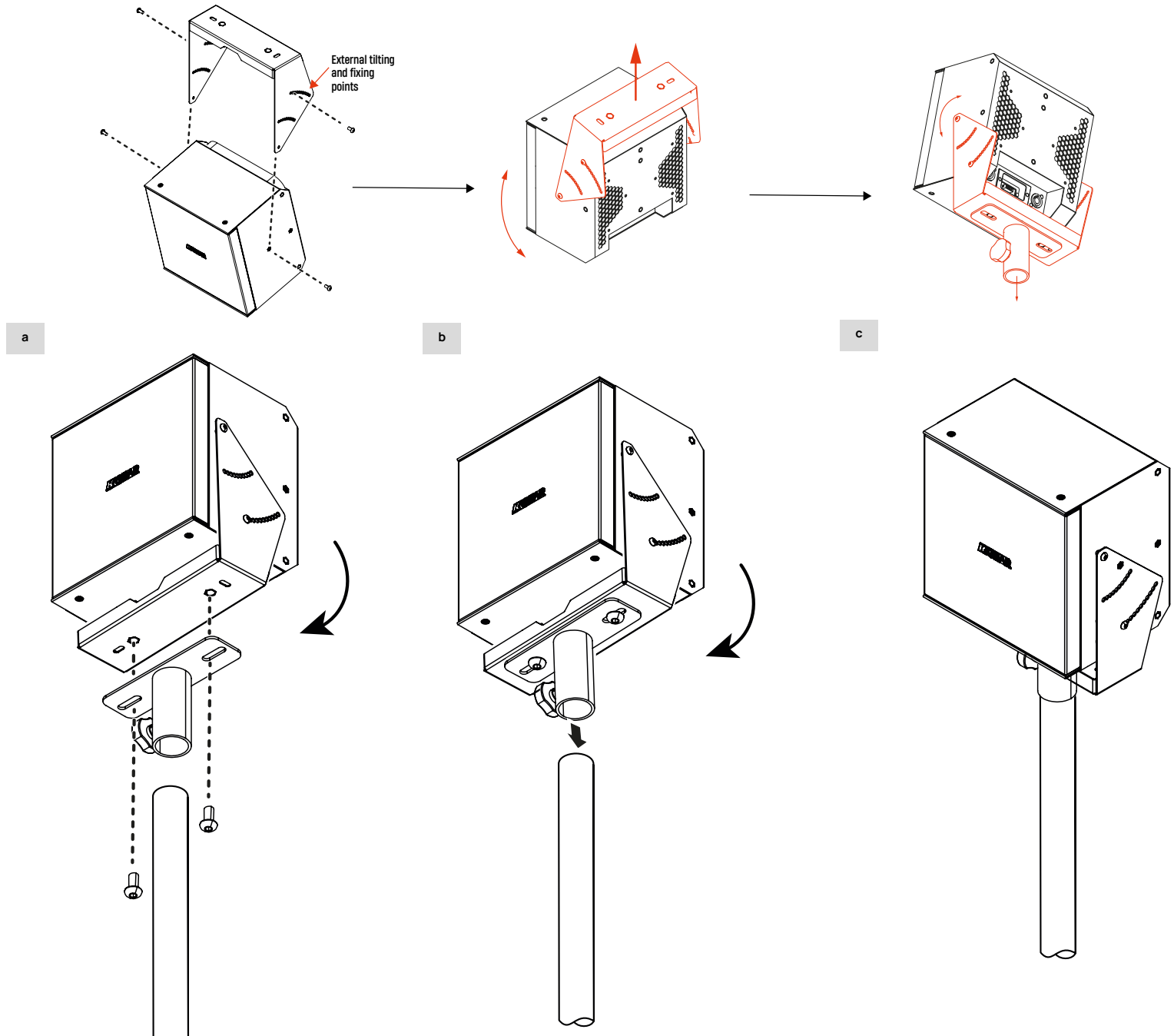
Il punto di trazione offre un controllo aggiuntivo sull'inclinazione posteriore dell'array, permettendo di orientare il sistema all'indietro per adattare la dispersione sonora alle caratteristiche dell'ambiente. Inoltre, contribuisce a stabilizzare l'array applicando tensione dal retro, particolarmente utile in situazioni in cui è necessario compensare vincoli di montaggio specifici.



Montaggio su palo standard

GH8-UBRACKET + Standard flangia per montaggio su palo

La GH8, abbinato alla staffa GH8-UBRACKET, può essere facilmente installato su qualsiasi flangia commerciale standard per montaggio a palo, grazie alla foratura a interasse standardizzata della staffa, che garantisce piena compatibilità con le flange di grado commerciale.

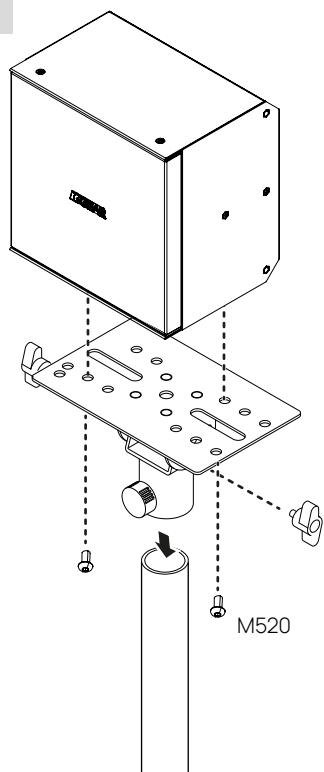


Montaggio con adattatore su palo

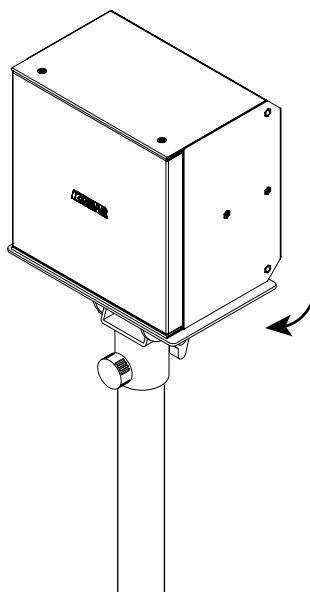
G-POLEMOUNT1

Il G-POLEMOUNT1 è un accessorio progettato per il montaggio del diffusore GH8 su un palo standard, che consente un'inclinazione regolabile da +90° a -90°.

A



B



GH8M – Versione marina

Il GH8M è disponibile anche in versione marina, appositamente trattata per resistere a un'esposizione prolungata ad ambienti salini e garantire durabilità nel tempo.

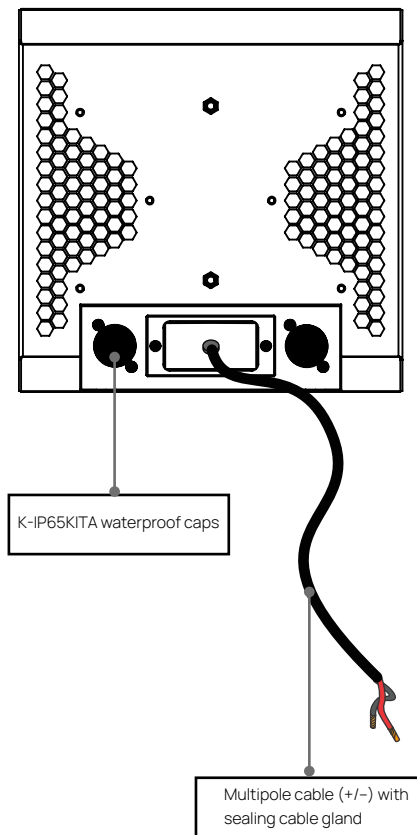
Il diffusore è fornito con un pressacavo in ottone nichelato installato in fabbrica e un cavo marino preassemblato, con conduttori identificati come COLD- (nero-) e HOT+ (rosso+). Collega il diffusore ai terminali dell'amplificatore cablando i due conduttori corrispondenti.


Questa configurazione:

- garantisce il corretto isolamento d'ingresso,
- offre protezione contro l'ingresso d'acqua,
- semplifica il cablaggio in spazi ristretti,
- assicura una protezione IP65.



Inoltre, è incluso l'accessorio K-IP65KITA, composto da due tappi dedicati per sigillare i connettori speakON posteriori quando non utilizzati, assicurando una protezione impermeabile completa.

Nota: assicurati che il pressacavo rimanga ben serrato e integro e che i connettori non utilizzati siano sigillati con i tappi forniti, per mantenere la massima protezione contro l'acqua.

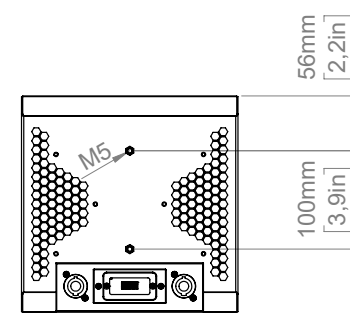
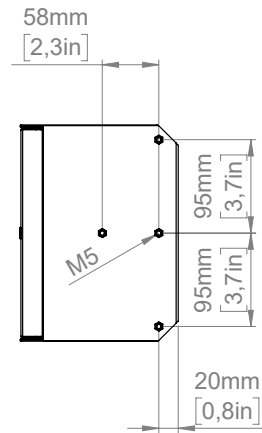
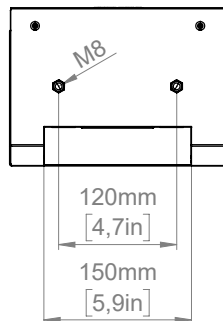
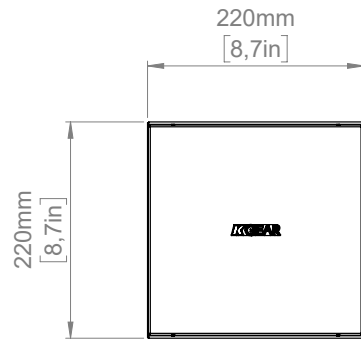
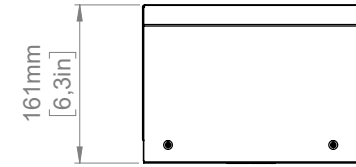



 Collega il conduttore HOT+ (rosso +) al terminale positivo dell'amplificatore e il conduttore COLD- (nero -) al terminale negativo.

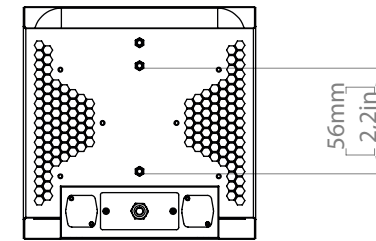
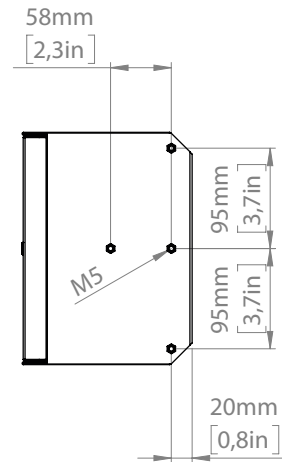
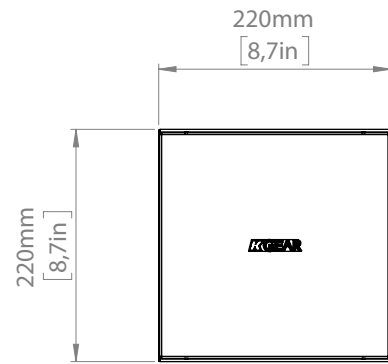
SEGNALE DAL CANALE DELL'AMPLIFICATORE - collega i conduttori (COLD)- e (HOT)+ al canale dedicato dell'amplificatore, assicurandoti di rispettare l'impedenza nominale di 16 Ω del diffusore.

Wiring - 16 Ω				
Red 	HOT	+	Amplifier channel	+
Black 	COLD	-		-

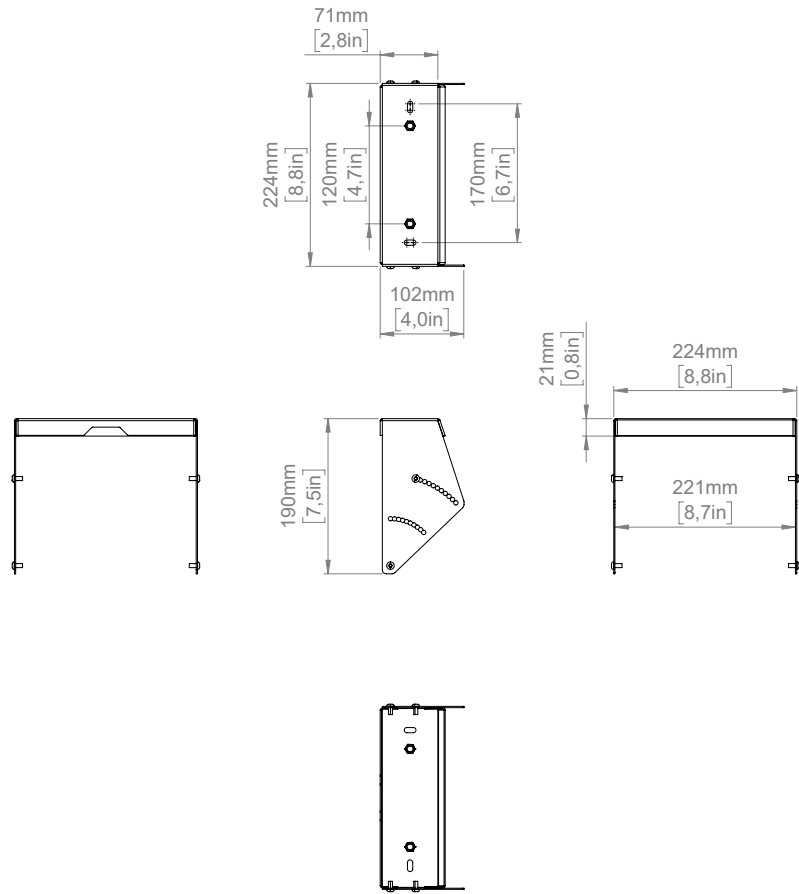
Disegni Meccanici - GH8



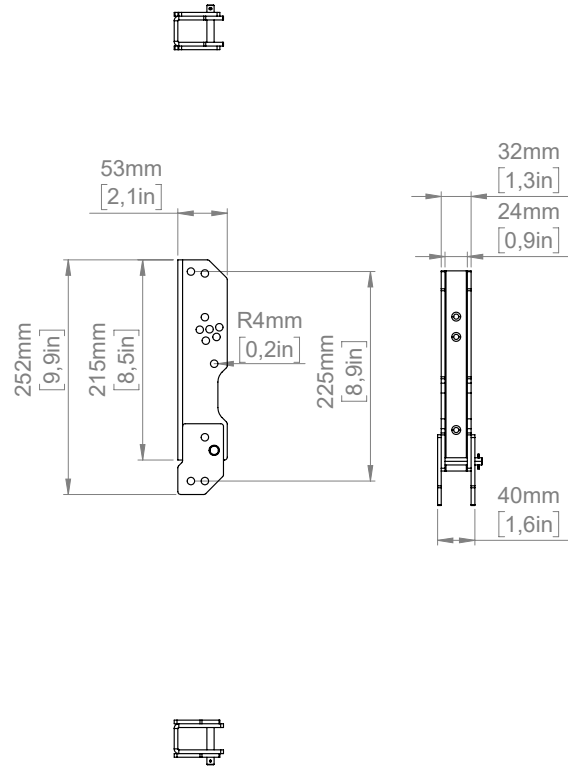
Disegni Meccanici - GH8M



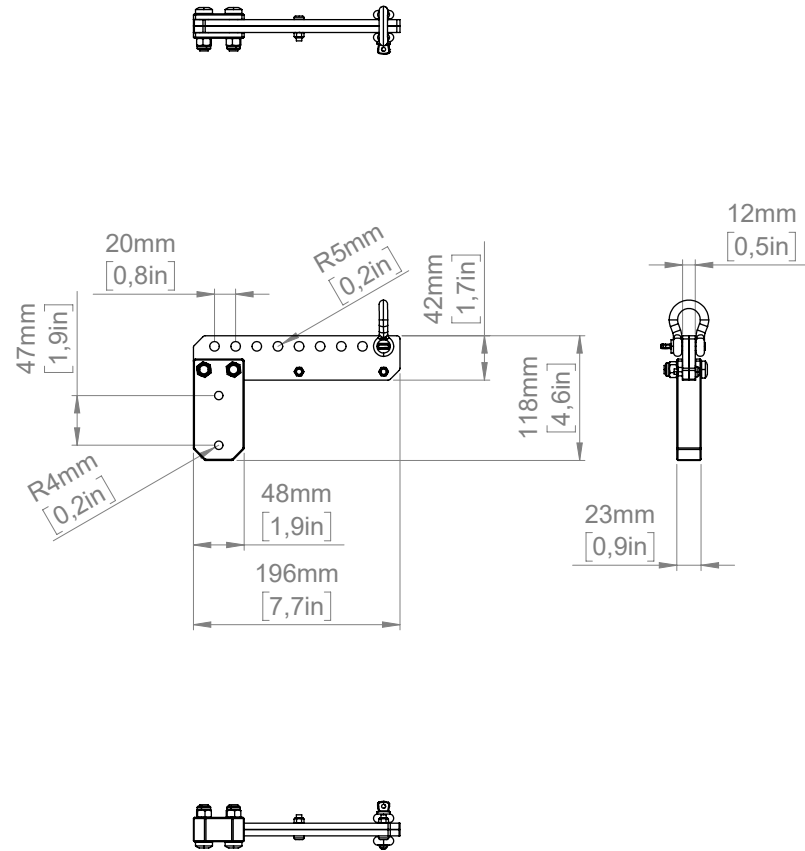
GH8-UBRACKET



GH8-JOINT



GH8-FLY



ISTRUZIONI DI SICUREZZA



CAUTION
RISK OF ELECTRIC SHOCK
DO NOT OPEN



ATTENTION: RISQUE DE CHOC ELECTRIQUE NE PAS OUVRIR

CAUTION: TO REDUCE THE RISK OF ELECTRIC SHOCK,
DO NOT REMOVE COVER (OR BACK).
NO USER-SERVICEABLE PARTS INSIDE.
REFER SERVICING TO QUALIFIED SERVICE PERSONNEL.

Questo simbolo avvisa l'utente della presenza di raccomandazioni sull'uso e la manutenzione del prodotto.



Il simbolo del lampo con punta a freccia all'interno di un triangolo equilatero ha lo scopo di avvisare l'utente della presenza di tensione pericolosa non isolata all'interno dell'involucro del prodotto, di entità sufficiente da costituire un rischio di scossa elettrica.



Il punto esclamativo all'interno di un triangolo equilatero ha lo scopo di avvisare l'utente della presenza di importanti istruzioni per il funzionamento e la manutenzione (assistenza) contenute in questo manuale.



Questo simbolo identifica il manuale d'uso relativo alle istruzioni operative e indica che tali istruzioni devono essere consultate durante il funzionamento del dispositivo o del comando in prossimità del quale il simbolo è posizionato.



Questo dispositivo elettrico è progettato principalmente per l'uso in ambienti interni.





WEEE
Si prega di smaltire questo prodotto, al termine del suo ciclo di vita, portandolo presso un punto di raccolta o un centro di riciclo locale per apparecchiature di questo tipo.



Questo dispositivo è conforme alla Direttiva sulla Restrizione dell'Uso di Sostanze Pericolose (RoHS).



Avvertenze e precauzioni generali

- Leggere queste istruzioni.
- Conservare queste istruzioni.
- Prestare attenzione a tutte le avvertenze.
- Seguire tutte le istruzioni.
- Non utilizzare questo apparecchio vicino all'acqua.
- Pulire solo con un panno asciutto.
- Non ostruire nessuna apertura di ventilazione.
- Installare in conformità con le istruzioni del produttore.
- Non installare vicino a fonti di calore come radiatori, registri di calore, stufe o altri apparecchi (compresi amplificatori) che producono calore.
- Utilizzare solo accessori/attacchi specificati dal produttore.
- Pulire il prodotto solo con un panno morbido e asciutto. Non utilizzare mai prodotti di pulizia liquidi, in quanto potrebbero danneggiare le superfici estetiche del prodotto.
- Utilizzare solo con il carrello, supporto, treppiede, staffa o tavolo specificato dal produttore, o venduto  insieme all'apparecchio.
- Quando  si utilizza un carrello, fare attenzione quando si sposta la combinazione carrello/apparecchio per evitare lesioni da ribaltamento.
- Scollegare questo apparecchio durante temporali o quando non viene utilizzato per lunghi periodi di tempo.
- Affidarsi a personale di assistenza qualificato per qualsiasi intervento di manutenzione.
- La manutenzione è necessaria quando l'apparecchio è stato danneggiato in qualche modo, come ad esempio se il cavo di alimentazione o la spina sono danneggiati, se sono stati versati liquidi o se sono caduti oggetti nell'apparecchio,

se l'apparecchio è stato esposto alla pioggia o all'umidità, non funziona normalmente o è stato fatto cadere.

ATTENZIONE:

Queste istruzioni di manutenzione sono destinate solo al personale di assistenza qualificato. Per ridurre il rischio di scosse elettriche, non eseguire alcuna manutenzione, se non quella contenuta nelle istruzioni operative, a meno che non si sia qualificati per farlo.

AVVERTENZA:

Utilizzare solo accessori/attacchi specificati o forniti dal produttore (come l'adattatore di alimentazione esclusivo, la batteria, ecc.).

Utilizzare solo cavi per altoparlanti per collegare gli altoparlanti ai terminali dell'altoparlante. Assicurarsi di rispettare l'impedenza nominale di carico dell'amplificatore, in particolare quando si collegano altoparlanti in parallelo. Collegare un carico di impedenza al di fuori della gamma nominale dell'amplificatore può danneggiare l'apparecchio. KGEAR non si assume alcuna responsabilità per prodotti modificati senza previa autorizzazione.

Assistenza

Si prega di avere a disposizione il/i numero/i di serie dell'unità/degli apparecchi per riferimento.

Contattare il distributore ufficiale KGEAR del proprio paese. L'elenco completo di Distributori e Rivenditori è disponibile sul sito www.kgear.it. Al momento del contatto con il Servizio Clienti, descrivere chiaramente e in modo dettagliato il problema riscontrato.

Sarete ricontattati per un supporto online.

Se il problema non può essere risolto a distanza, potrebbe essere richiesto l'invio dell'unità in assistenza. In tal caso, vi verrà fornito un numero RA (Return Authorization), che dovrà essere riportato su tutti i documenti di spedizione e nella corrispondenza relativa alla riparazione.

Le spese di spedizione sono a carico dell'acquirente.

Qualsiasi tentativo di modificare o sostituire componenti del dispositivo invaliderà la garanzia. L'assistenza deve essere effettuata esclusivamente da un centro autorizzato K-array.

Manutenzione

Utilizzare esclusivamente un panno morbido e asciutto per pulire l'involucro.

Non usare solventi, sostanze chimiche o detergenti contenenti alcol, ammoniaca o materiali abrasivi.

Non spruzzare liquidi nelle vicinanze del prodotto e non lasciare che penetrino all'interno attraverso eventuali aperture.

Questi apparecchi sono destinati a un uso professionale.

L'installazione e la messa in servizio devono essere effettuate esclusivamente da personale qualificato e autorizzato.



Avvertenza. Il mancato rispetto di queste istruzioni di sicurezza potrebbe causare incendi, scosse elettriche o altri infortuni o danni al dispositivo o ad altri beni.

Specifiche Tecniche - GH8

Tipo	Altoparlante passivo
Trasduttori	Trasduttore full-range a doppio cono da 8" con magneti in ferrite
Risposta in Frequenza ¹	120 Hz - 18 kHz (-6dB)
Max SPL ²	129 dB Peak
Potenza Nominale	300 W
Copertura	V.90 H.90°
Connettori	1x connettore Phoenix (Euroblock a 4 poli) con rilancio del segnale diffusore 2x connettori SpeakON NL4: 1+1- (segnale), 2+ 2- (passante)
Impedenza Nominale	16 Ω
Grado-IP ³	IP64 - con accessorio GH8-IPKIT

Specifiche Fisiche

Dimensioni (LxAxP)	220x 220 x 161 mm (8,7 x 8,7 x 6,3 inches)
Peso	5,8 kg (14,3 lbs)
Materiale	Acciaio Inossidabile
Colore	Nero

¹ Con preset dedicato.

² Il livello massimo di SPL è calcolato utilizzando un segnale con fattore di cresta 4 (12 dB), misurato a 8 m e riportato a 1 m.

³ Protezione dall'acqua più completa con l'accessorio GH8-IPKIT (non incluso).

Specifiche Tecniche - GH8M

Tipo	Altoparlante passivo
Trasduttori	Trasduttore full-range a doppio cono da 8" con magneti in ferrite
Risposta in Frequenza ¹	120 Hz - 18 kHz (-6dB)
Max SPL ²	129 dB Peak
Potenza Nominale	300 W
Copertura	V.90 H.90°
Connettori	Cavo multipolare con pressacavo red+ black-
Impedenza Nominale	16 Ω
Grado-IP ³	IP65

Specifiche Fisiche

Dimensioni (LxAxP)	220x 220 x 161 mm (8,7 x 8,7 x 6,3 inches)
Peso	5,8 kg (14,3 lbs)
Materiale	Acciaio Inossidabile
Colore	Nero

¹ Con preset dedicato.

² Il livello massimo di SPL è calcolato utilizzando un segnale con fattore di cresta 4 (12 dB), misurato a 8 m e riportato a 1 m.

USER GUIDE



V.Rev.1.2

K-array Srl - Via Paolina Romagnoli 17 - 50038
 Scarperia e San Piero, Firenze - Italy
 P.IVA/VAT/CF
 06206990480
 Phone: +39 055- 8487222
 Email: info@karray.com