

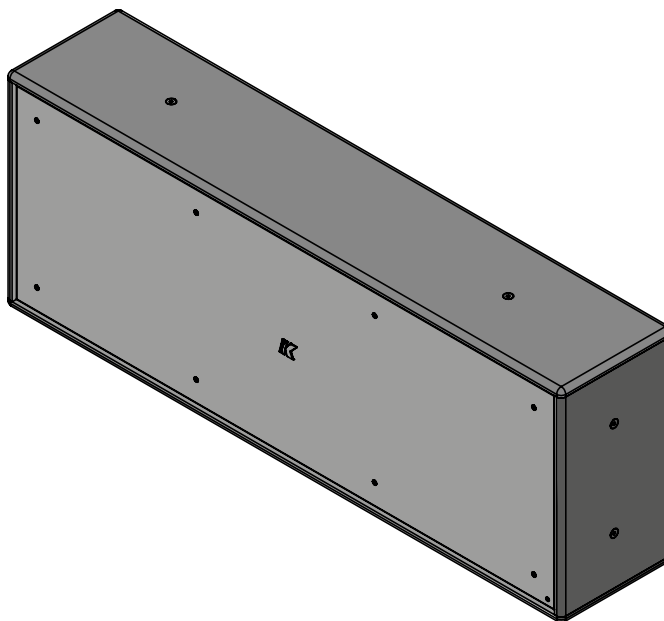
Rumble-KU315

Ultra-thin passive subwoofer with 3x15" cone drivers

USER GUIDE




V1




This page intentionally left blank

IMPORTANT SAFETY INSTRUCTIONS



CAUTION
RISK OF ELECTRIC SHOCK
DO NOT OPEN



ATTENTION: RISQUE DE CHOC ELECTRIQUE NE PAS OUVRIR

**CAUTION: TO REDUCE THE RISK OF ELECTRIC SHOCK,
DO NOT REMOVE COVER (OR BACK).
NO USER-SERVICEABLE PARTS INSIDE.
REFER SERVICING TO QUALIFIED SERVICE PERSONNEL.**



This symbol alerts the user to the presence of recommendations about the product's use and maintenance.



The lighting flash with arrowhead symbol within an equilateral triangle is intended to alert the user to the presence of uninsulated, dangerous voltage within the product enclosure that may be of magnitude to constitute a risk of electrical shock.



The exclamation point within an equilateral triangle is intended to alert the user to the presence of important operating and maintenance (servicing) instructions in this guide.



Operator's manual; operating instructions
This symbol identifies the operator's manual that relates to the operating instructions and indicates that the operating instructions should be considered when operating the device or control close to where the symbol is placed.



For indoor use only
This electrical equipment is designed primarily for indoor use.



WEEE
Please dispose of this product at the end of its operational lifetime by bringing it to your local collection point or recycling center for such equipment.




This device complies with Restriction of Hazardous Substances Directive.



WARNING
Failure to follow these safety instructions could result in fire, shock or other injury or damage to the device or other property.

VI

General heed and warnings

- Read these instructions.
- Keep these instructions.
- Heed all warnings.
- Follow all instructions.
- Do not use this apparatus near water.
- Clean only with dry cloth.
- Do not block any ventilation openings. Install in accordance with the manufacturer's instructions.
- Do not install near any heat sources such as radiators, heat registers, stoves, or other apparatus (including amplifiers) that produce heat
- Do not defeat the safety purpose of the polarized or grounding plug. A polarized plug has two blades with one wider than the other. A grounding plug has two blades and a third grounding prong. The wide blade or the third prong is provided for your safety. If the provided plug does not fit into your outlet, consult an electrician for replacement of the obsolete outlet.
- Only use attachments/accessories specified by the manufacturer.
- Protect the power cord from being walked on or pinched particularly at the plugs, convenience receptacles, and at the point where they exit from the apparatus.
- Clean the product only with a soft and dry fabric. Never use liquid cleaning products, as this may damage the products cosmetic surfaces.
- Use only with the cart, stand, tripod, bracket, or table specified by the manufacturer, or sold with the apparatus. When a cart is used, use caution when moving the cart/apparatus combination to avoid injury from tip-over.
- Unplug this apparatus during lightning storms or when unused for long periods of time. 
- Avoid placing the product in a location under direct sunlight or near any appliance that generates UV (Ultra Violet) light, as this may change the product surface finishing and cause a change in color.
- Refer all servicing to qualified service personnel. Servicing is required when the apparatus has been damaged in any way, such as power-supply cord or plug is damaged, liquid has been spilled or objects have fallen into the apparatus, the apparatus has been exposed to rain or moisture, does not operate normally, or has been dropped.
- CAUTION: These servicing instructions are for use by qualified service personnel only. To reduce the risk of electric shock, do not perform any servicing other than that contained in the operating instructions unless you are qualified to do so.
- WARNING: Only use attachments/accessories specified or provided by the manufacturer (such as the exclusive supply adapter, battery, etc.).
- Before turning the power on or off for all devices, set all volume levels to minimum.
- Use only speaker cables for connecting speakers to the speaker terminals. Be

This apparatus is intended for professional use.

Installation and commissioning may only be carried out by qualified and authorized personnel.

Rumble-KU315

User Guide

V1

sure to observe the amplifier's rated load impedance particularly when connecting speakers in parallel. Connecting an impedance load outside the amplifier's rated range can damage the apparatus.

- K-array cannot be held responsible for damage caused by improper use of the loudspeakers.
- K-array will not shoulder any responsibilities for products modified without prior authorization.

CE Statement

K-array declares that this device is in compliance with applicable CE standards and regulations. Before putting the device into operation, please observe the respective country-specific regulations!



FCC Statement

This equipment has been tested and found to comply with the limits for a Class B digital device, pursuant to part 15 of the FCC Rules. These limits are designed to provide reasonable protection against harmful interference in a residential installation. This equipment generates, uses and can radiate radio frequency energy and, if not installed and used in accordance with the instructions, may cause harmful interference to radio communications. However, there is no guarantee that interference will not occur in a particular installation. If this equipment does cause harmful interference to radio or television reception, which can be determined by turning the equipment off and on, the user is encouraged to try to correct the interference by one or more of the following measures:



1. Reorient or relocate the receiving antenna.
2. Increase the separation between the equipment and receiver.
3. Connect the equipment into an outlet on a circuit different from that to which the receiver is connected.
4. Consult the dealer or an experienced radio/TV technician for help.

Canadian Statement

This device complies with Industry Canada's licence-exempt RSSs. Operation is subject to the following two conditions:

- this device may not cause interference, and
- this device must accept any interference, including interference that may cause undesired operation of the device.

The device meets the exemption from the routine evaluation limits in section 2.5 of RSS 102 and compliance with RSS-102 RF exposure, users can obtain Canadian information on RF exposure and compliance.

This equipment should be installed and operated with a minimum distance of 20 centimeters between the radiator and your body.

Trademark Notice

All trademarks are the property of their respective owners.

Index

Introduction	6
Key Features	7
Applications	7
Finishes	7
Unpacking	7
Package contents	7
Rear panel	8
Wiring	8
IP65 protection seal	8
Installation	9
Rigging / Suspension	10
Settings	11
Service	12
Cleaning	12
Mechanical Drawing	13
Technical Specifications	13

Rumble-KU315

User Guide

v1

Thank you for choosing this K-array products!

To ensure proper operation, please carefully read the owner's manuals and safety instruction before using the products. After reading this manual, be sure to keep it for future reference.

Should you have any questions about your new device please contact K-array customer service at support@k-array.com or contact the official K-array distributor in your country.

The Rumble-KU315 is the most powerful passive subwoofer in the Rumble series, with a nominal rated power of 2000 W at 4 Ω . Made from water-resistant polyurea-coated birch plywood, this ultra-thin subwoofer features a 1x 15" neodymium transducer in a shallow and relatively slim box and is certified for marine applications.

Unlike other subwoofers, the KU315 doesn't have reflex openings but instead features two more 15" passive radiators that ensure the transducer excursion is as linear as possible with minimum residual noise. This design, along with durable materials and an upgrade to the SpeakOn NL4 connector, makes the Rumble-KU315 resistant to tough weather conditions and suitable for outdoor installations.

Key Features

- Compact and closed enclosure
- 1x15" woofer and 2x15" passive radiators
- Durable and resistant frame
- Extreme power and High SPL
- Extended frequency response in bass range

Applications

- Outdoor applications
- Marine applications
- Theaters
- Clubs and Lounges

Finishes

- Rumble-KU315 black model
- Rumble-KU315W white model
- Rumble-KU315X customized color (box + grille)

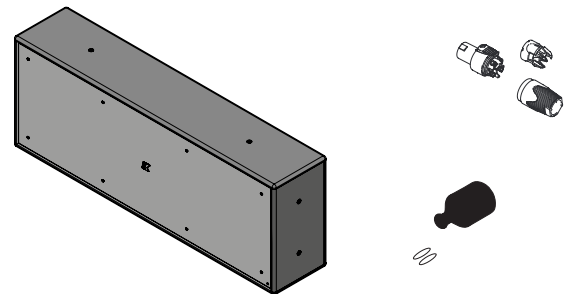
Unpacking

Package Contents

Each K-array product is built to the highest standard and thoroughly inspected before leaving the factory.

Upon arrival, carefully inspect the shipping carton, then examine and test your new device. If you find any damage, immediately notify the shipping company.

1. 1x Rumble-KU315 subwoofer
2. 1x NL4 SpeakON connector
3. 1x IP65 rubber protection seal for NL4 connector



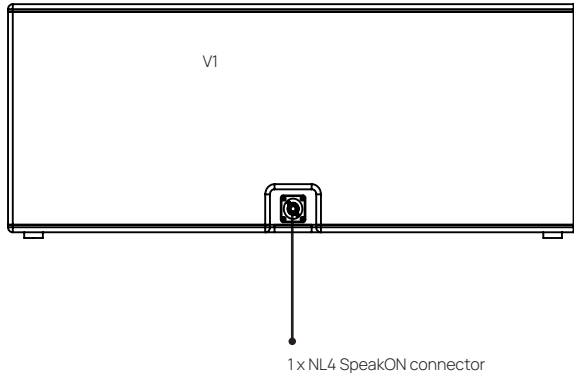
The Rumble-KU315 enclosure is constructed from durable aluminum and features a fully sealed design. Its grille is specially treated to resist even the harshest weather conditions, including exposure to salt and water. As a result, the Rumble-KU315 is ideally suited for outdoor installation in extreme environments or marine settings.

Rumble-KU315

User Guide

Rear Panel

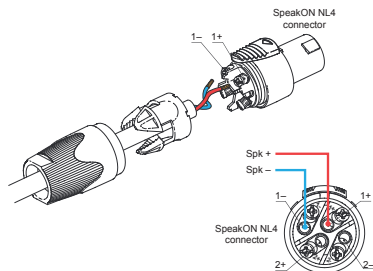
1x SpeakON connector is situated on the rear panel of the subwoofer as is shown in the picture below.



One-channel wiring

1+ 1- signal

2+ 2- (not connected)



V1

IP65 protective seal

Installation

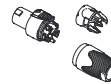
The Rumble-KU315 is extensively used in outdoor application and comes equipped with a high-quality rubber protection piece from the K-IP65KITB. This protective rubber piece is essential as it's installed on the input connector to prevent water and salt from seeping into the cable and, in conjunction with a provided gasket, effectively seal the input port.

To install IP65 protection please follow the procedure shown below:

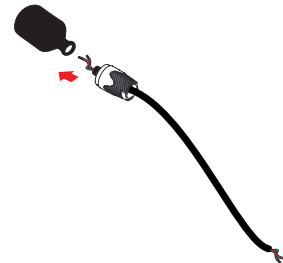
1. Before proceeding, ensure that you have all the supplied components of the SpeakOn NL4 connector and of IP65 protection (rubber cable cover and gasket).

1. SpeakON connector components

2. rubber cover and gasket

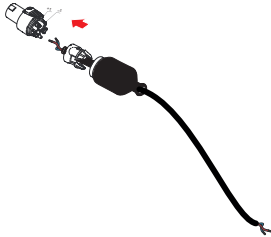


2. Choose a cable with a sheath for greater insulation and pass it through the rubber cover accessory and through the cable gland.

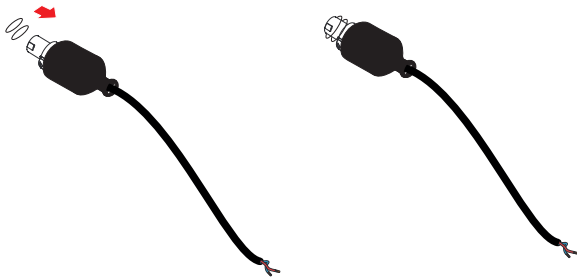


V1

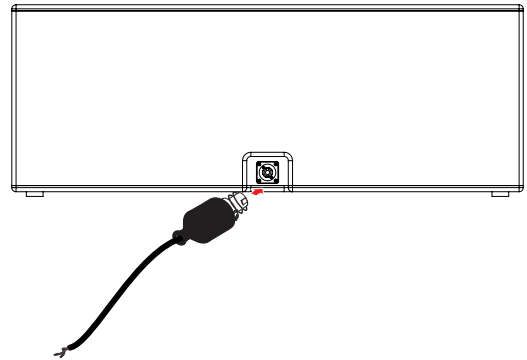
3. Connect the wires to 1+ 1- terminals of the NL4 connector



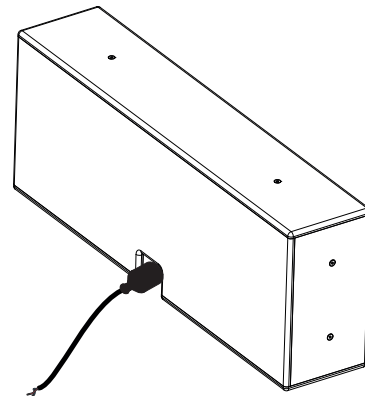
4. Ensure that the gasket firmly adheres to the connector on the back panel. To do so, first, pass it around the head of the male connector to be plugged in.



5. Then plug the connector to the subwoofer and turn it clockwise together with the gasket to ensure a secure connection.



6. The Rumble-KU315 is finally installed with IP65 protection accessory and sealed against water.



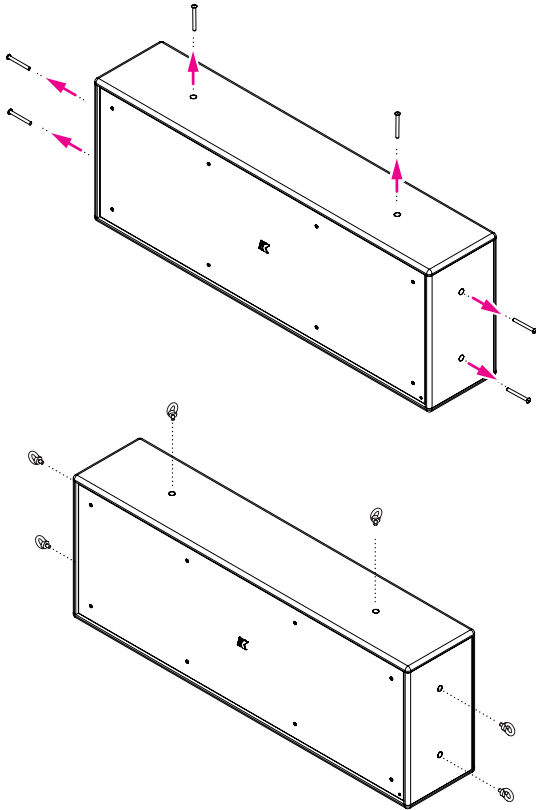
Rumble-KU315

User Guide

V1

Rigging / Suspension

The Rumble-KU315 subwoofer can be suspended independently. Screw at least four M8 eye bolts (two per side) at the sides of the unit and hang it to the rigging point.



Settings

Recommended amplifier unit

The Rumble-KU315 passive subwoofer should be paired with any K-array amplifier, such as Kommander-KA208 or Kommander-KA104, that matches its power handling and impedance requirements.

Configuration

1. Connect the Rumble-KU315 to the dedicated amplifier unit with the NL4 speakON connector
2. Load the proper device preset (Rumble-KU315 **natural preset**).
3. Test the system after settings to ensure it's working correctly. Play audio and check for any issues or adjustments that may be needed.

Service

To obtain service:

1. Please have the serial number (s) of the unit(s) available for reference.
2. Contact the official K-array distributor in your country:
find the Distributors and Dealers list on K-array website.
Please describe the problem clearly and completely to the Customer Service.
3. You will be contacted back for on line servicing.
4. If the problem cannot be resolved over the phone, you may be required to send the unit in for service. In this instance, you will be provided with an RA (Return Authorization) number which should be included on all shipping documents and correspondence regarding the repair. Shipping charges are the responsibility of the purchaser.

Any attempt to modify or replace components of the device will invalidate your warranty. Service must be performed by an authorized K-array service center.

Cleaning

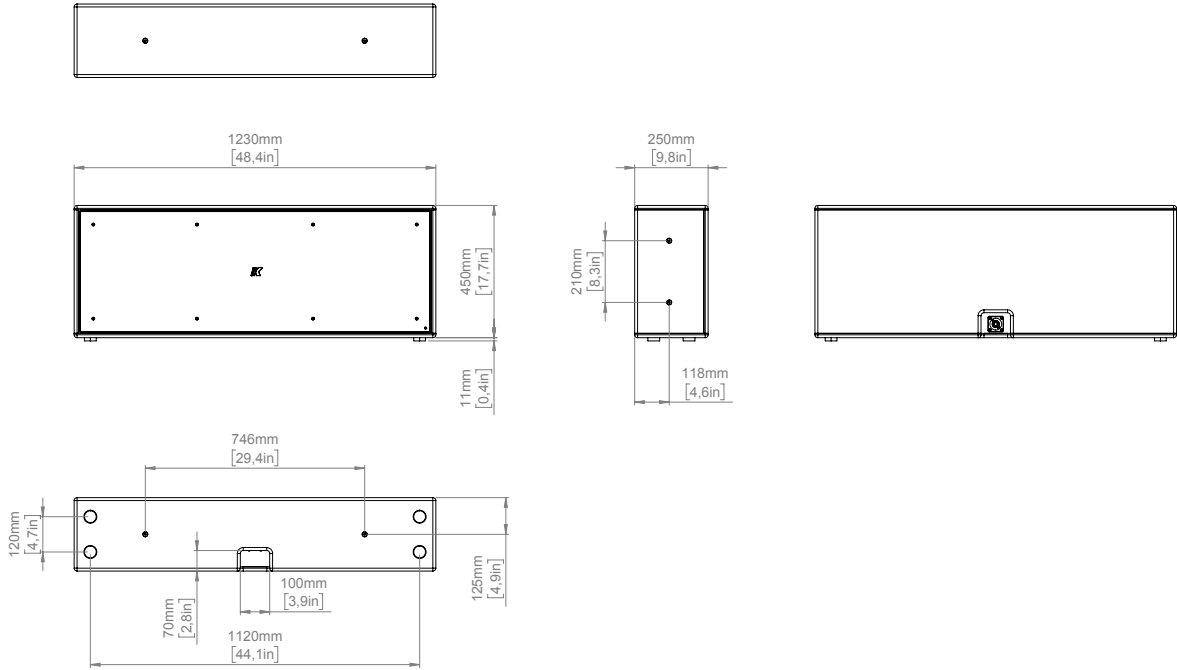
Use only a soft, dry cloth to clean the housing. Do not use any solvents, chemicals, or cleaning solutions containing alcohol, ammonia, or abrasives. Do not use any sprays near the product or allow liquids to spill into any openings.

Rumble-KU315

User Guide

V1

Mechanical Drawings



Technical Specifications

Technical specifications	
Type	Passive subwoofer
Transducers	1x 15" neodymium magnet woofer 2 x 15" passive radiator
Frequency Response ¹	35 Hz - 150 (-6 dB)
Max SPL ²	138 dB (peak)
Rated Power	2000 W
Coverage	Omni
Nominal Impedance	4 Ω
Connectors	1x SpeakON NL4 1+ 1- signal

Handling & Finishes	
Material	polyurea coated birch plywood
Colors	Black, White, Custom RAL
IP Rating ³	IP65
Dimensions (WxHxD) ⁴	(W x H x D): 1230 x 450 x 250 mm (48.4 x 17.7 x 9.8 in)
Weight	40 kg (88.18 lb)

¹ With dedicated preset.

² Maximum SPL is calculated using a signal with crest factor 4 (12dB) measured at 8 m then scaled at 1 m.

³ IP65KITB sealing accessory included in the marine product package.

⁴ Removable rubber feet not included.



Designed and Made in Italy

K-ARRAY Srl -
Via P. Romagnoli 17 - 50038
Scarperia e San
Piero
Firenze - Italy
P.IVA/VAT/CF
06206990480
Phone: +39 055- 8487222
Email: info@karray.com